



**PARTS CATALOG
MODEL YEAR 2008**

YZFR6

YZFR6XB (13S4) (YZFR6X)

YZFR6XL (13S4) (YZFR6X)

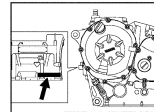
YZFR6XS (13S4) (YZFR6X)

YZFR6XBC (13S5) (YZFR6XC)

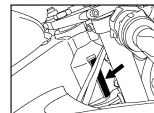
YZFR6XLC (13S5) (YZFR6XC)

YZFR6XSC (13S5) (YZFR6XC)

1. Engine Serial No.



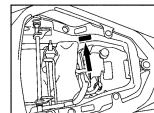
2. Vehicle Identification No.



Starting VIN (YZFR6XB_XL_XS): JYARJ16E38A000010 and following
Starting VIN (YZFR6XBC_XLC_XSC): JYARJ16Y18A000016 and following

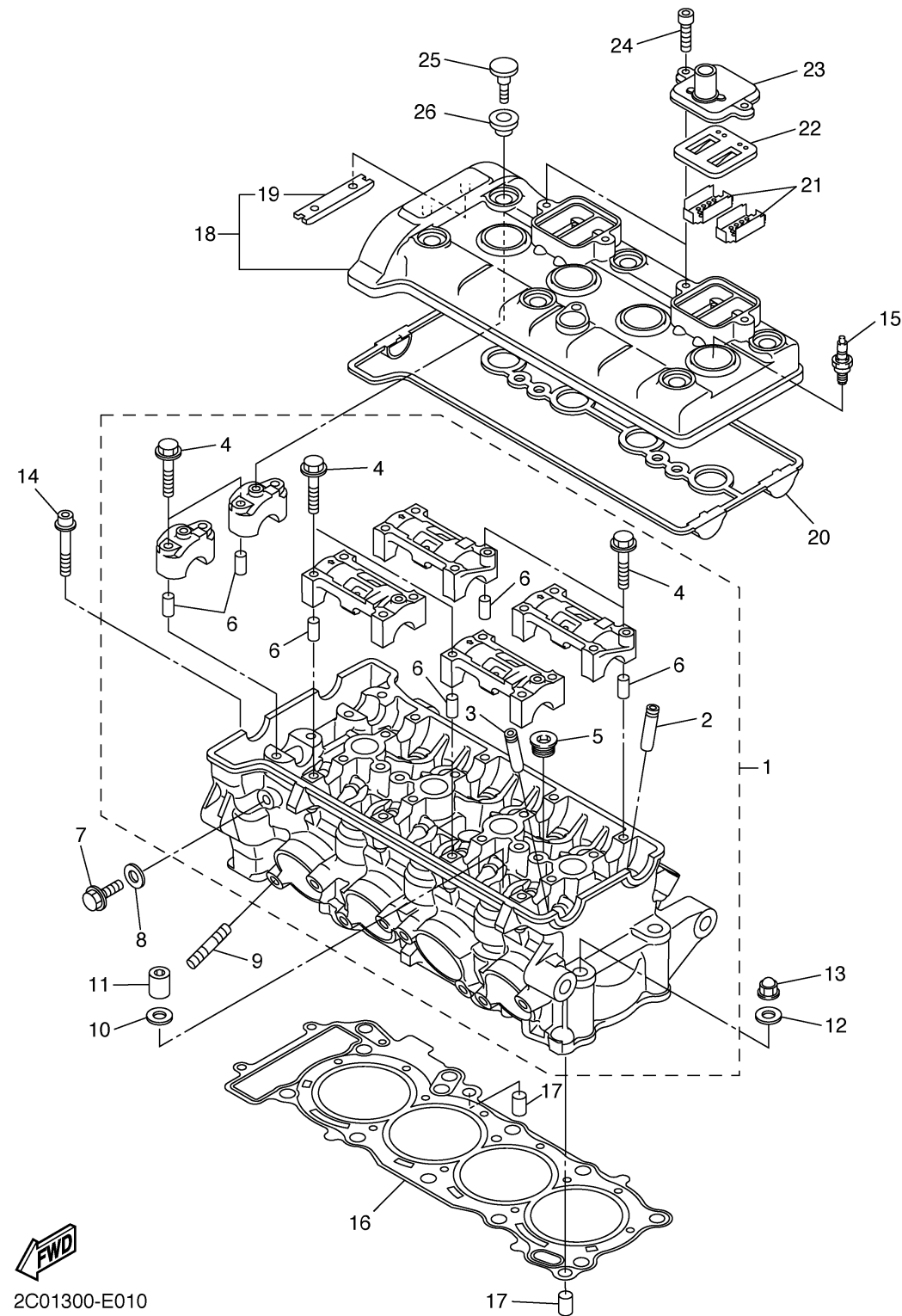
Color	Abbreviation
Black Metallic X	SMX
Deep Purplish Blue Metallic C	DPBMC
Silver 3	S3

3. Model Label Affixing Location



OWNERS LIT-11626-21-61
ASSEMBLY LIT-11666-19-78
SERVICE LIT-11616-21-61

CYLINDER



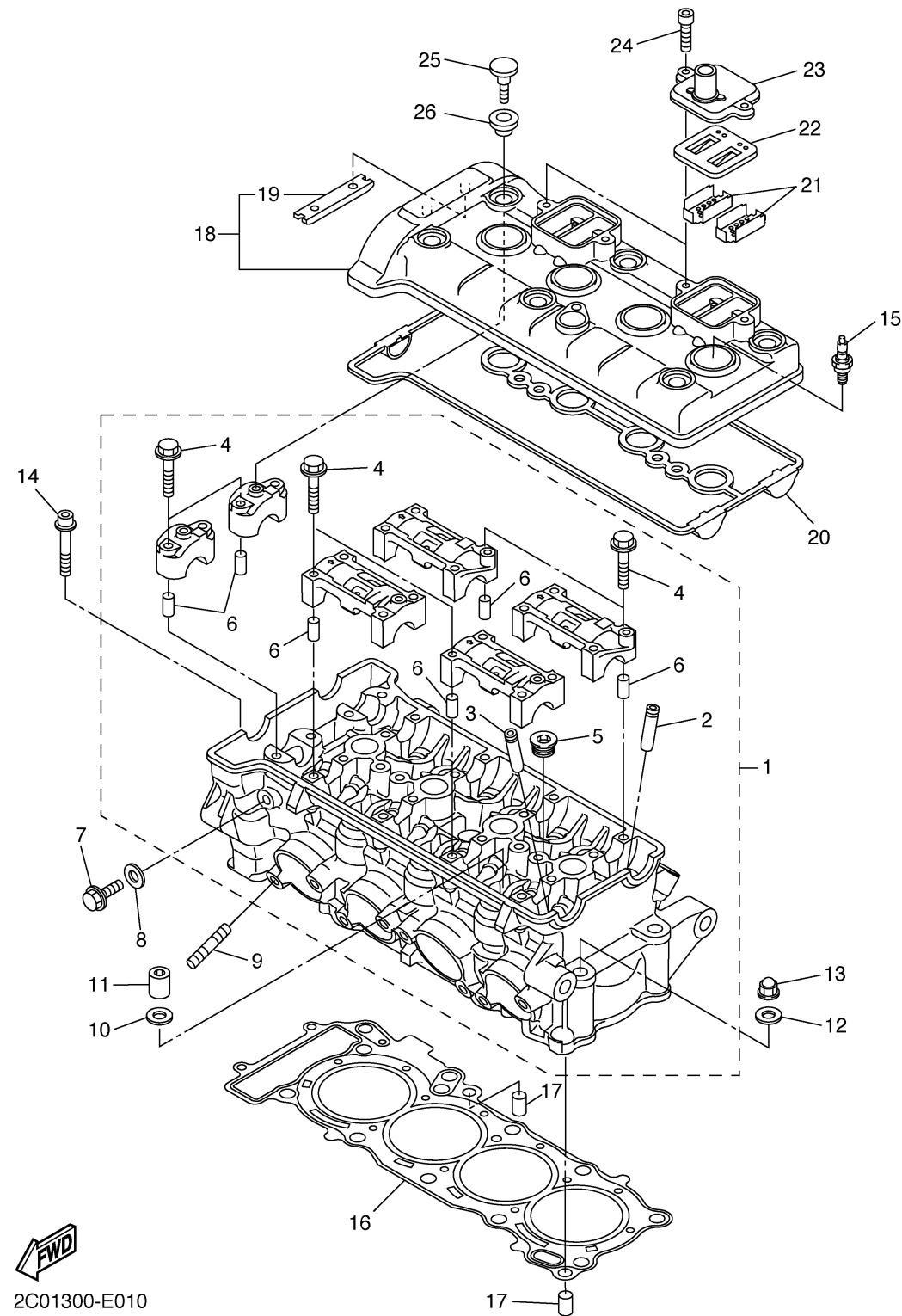
Ref No.	Part Number	Description	Qty	Remarks
1	2C0-11101-01-00	CYLINDER HEAD ASSY	1	
2	2C0-11133-11-00	. GUIDE, VALVE 1	8	
3	2C0-11134-11-00	. GUIDE, VALVE 2	8	
4	90105-06027-00	. BOLT, FLANGE	20	
5	90340-18002-00	. PLUG, STRAIGHT SCREW	3	
6	91808-16023-00	. PIN, DOWEL	12	
7	95022-08012-00	BOLT, FLANGE	1	
8	90430-08119-00	GASKET	1	
9	95612-08625-00	BOLT, STUD	8	
10	90201-10013-00	WASHER, PLATE	8	
11	90179-10006-00	NUT	8	
12	90201-10013-00	WASHER, PLATE	2	
13	90176-10075-00	NUT, CROWN	2	
14	90110-06094-00	BOLT, HEXAGON SOCKET HEAD	2	
15	NGK-CR10E-K0-00	PLUG, SPARK (NGK CR10EK)	4	
16	2C0-11181-01-00	GASKET, CYLINDER HEAD 1	1	
17	99530-10114-00	PIN, DOWEL	2	
18	2C0-11191-00-00	COVER, CYLINDER HEAD 1	1	
19	5BE-12241-00-00	. GUIDE, STOPPER 2	1	
20	2C0-11193-00-00	GASKET, HEAD COVER 1	1	

CONTINUED ON NEXT FRAME >


2C01300-E010

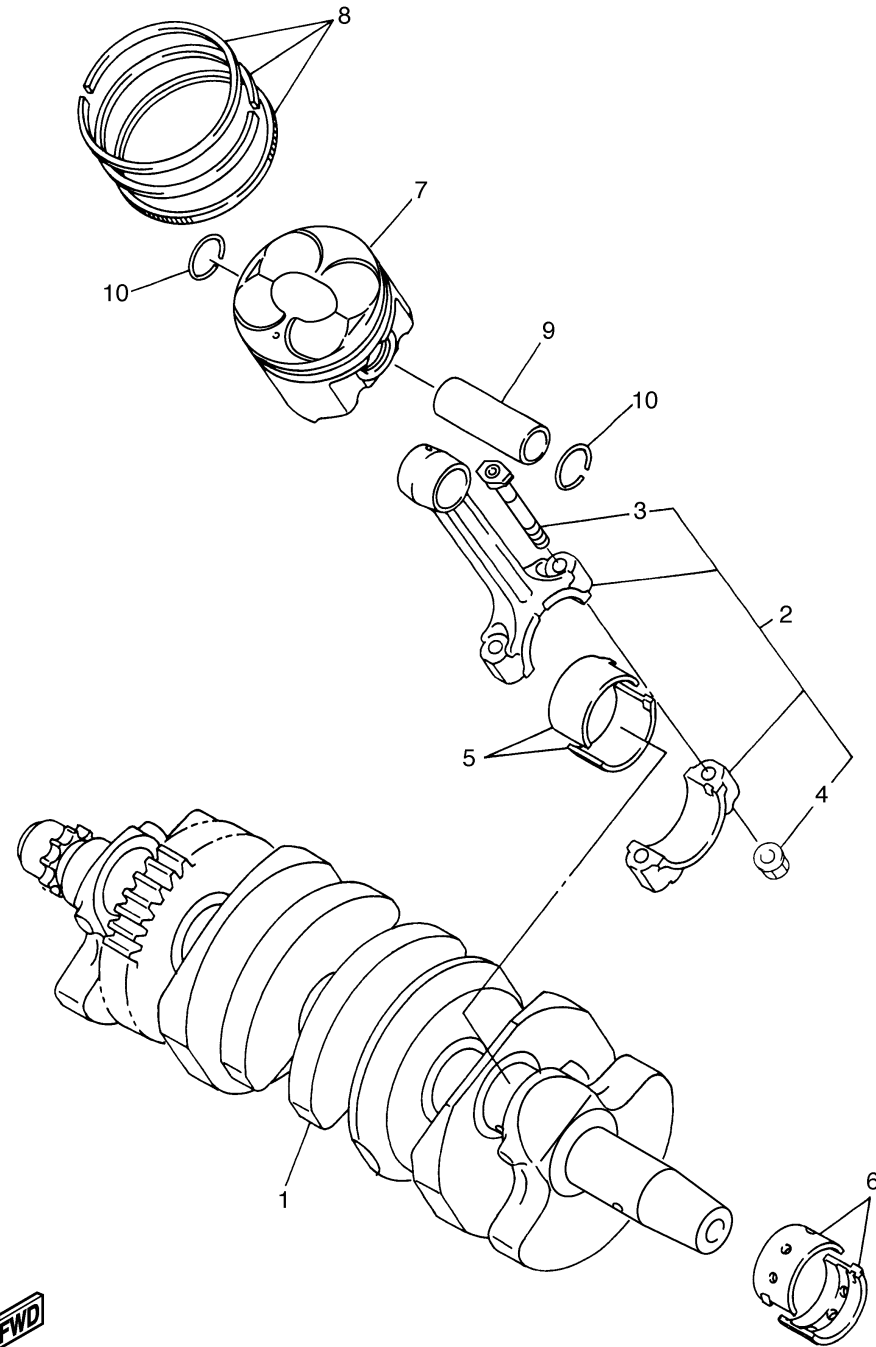
CYLINDER

Ref No.	Part Number	Description	Qty	Remarks
21	5VY-1482K-00-00	PLATE	4	
22	5SL-14890-00-00	REED VALVE ASSY	2	
23	5VY-14899-00-00	CAP, CASE	2	
24	90110-06175-00	BOLT, HEXAGON SOCKET HEAD	4	
25	90109-066F0-00	BOLT	6	
26	5VY-1111G-00-00	RUBBER, MOUNT 1	6	




2C01300-E010

CRANKSHAFT PISTON



Ref No.	Part Number	Description	Qty	Remarks
1	2C0-11411-00-00	CRANKSHAFT	1	
2	13S-11650-00-00	CONNECTING ROD ASSY	4	
3	2C0-11654-00-00	. BOLT, CONNECTING ROD	2	
4	90179-07001-00	. NUT	2	
5	13S-11656-00-00	PLANE BEARING, CONNECTING ROD	8	UR BLUE
5	13S-11656-30-00	PLANE BEARING, CONNECTING ROD	8	UR GREEN
5	13S-11656-10-00	PLANE BEARING, CONNECTING ROD	8	UR BLACK
5	13S-11656-20-00	PLANE BEARING, CONNECTING ROD	8	UR BROWN
6	13S-11416-A0-00	PLANE BEARING, CRANKSHAFT 1	10	UR WHITE
6	13S-11416-10-00	PLANE BEARING, CRANKSHAFT 1	10	UR BLACK
6	13S-11416-20-00	PLANE BEARING, CRANKSHAFT 1	10	UR BROWN
6	13S-11416-30-00	PLANE BEARING, CRANKSHAFT 1	10	UR GREEN
6	13S-11416-00-00	PLANE BEARING, CRANKSHAFT 1	10	UR BLUE
7	13S-11631-00-00	PISTON (STD)	4	
8	2C0-11603-00-00	PISTON RING SET (STD)	4	
9	2C0-11633-00-00	PIN, PISTON	4	
10	93450-16159-00	CIRCLIP	8	

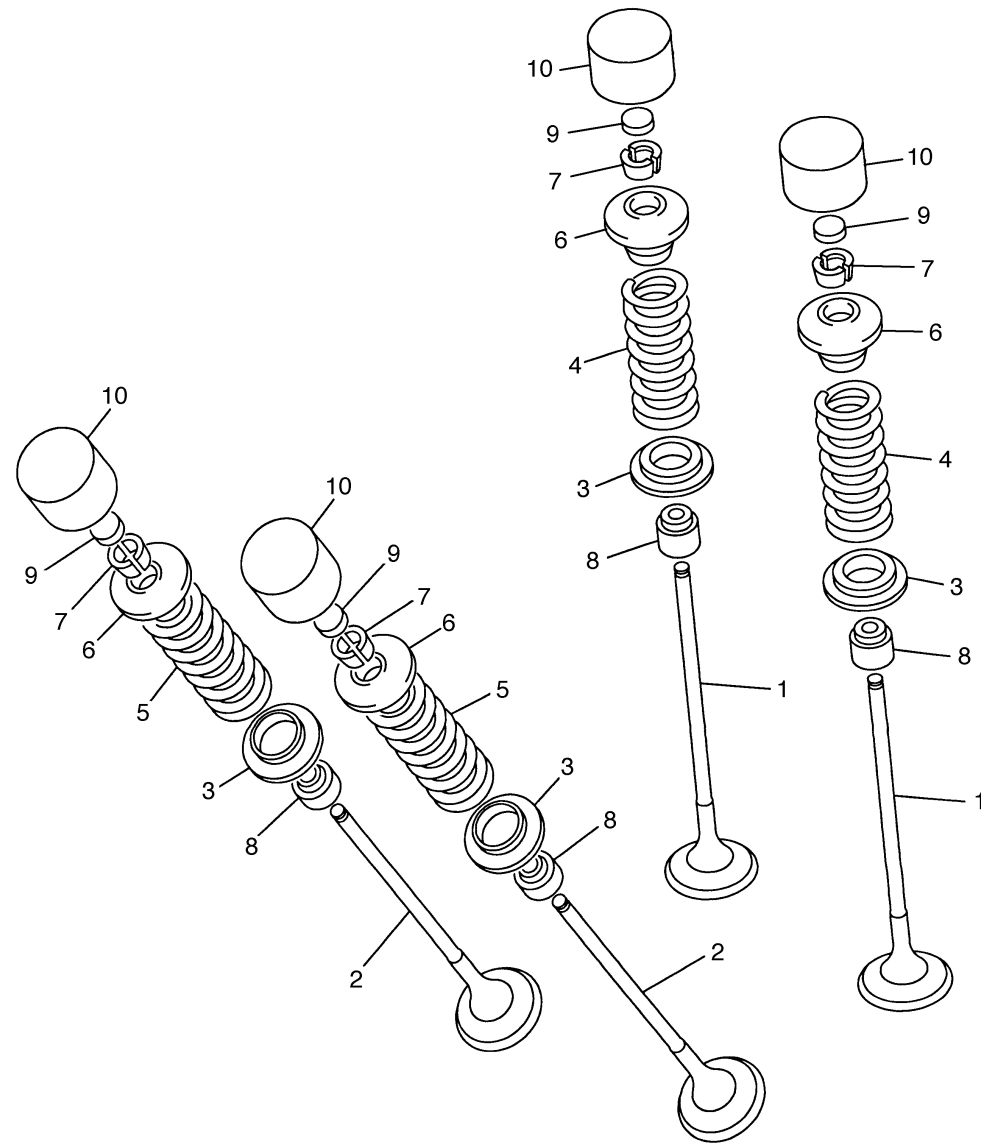


2C01300-E020

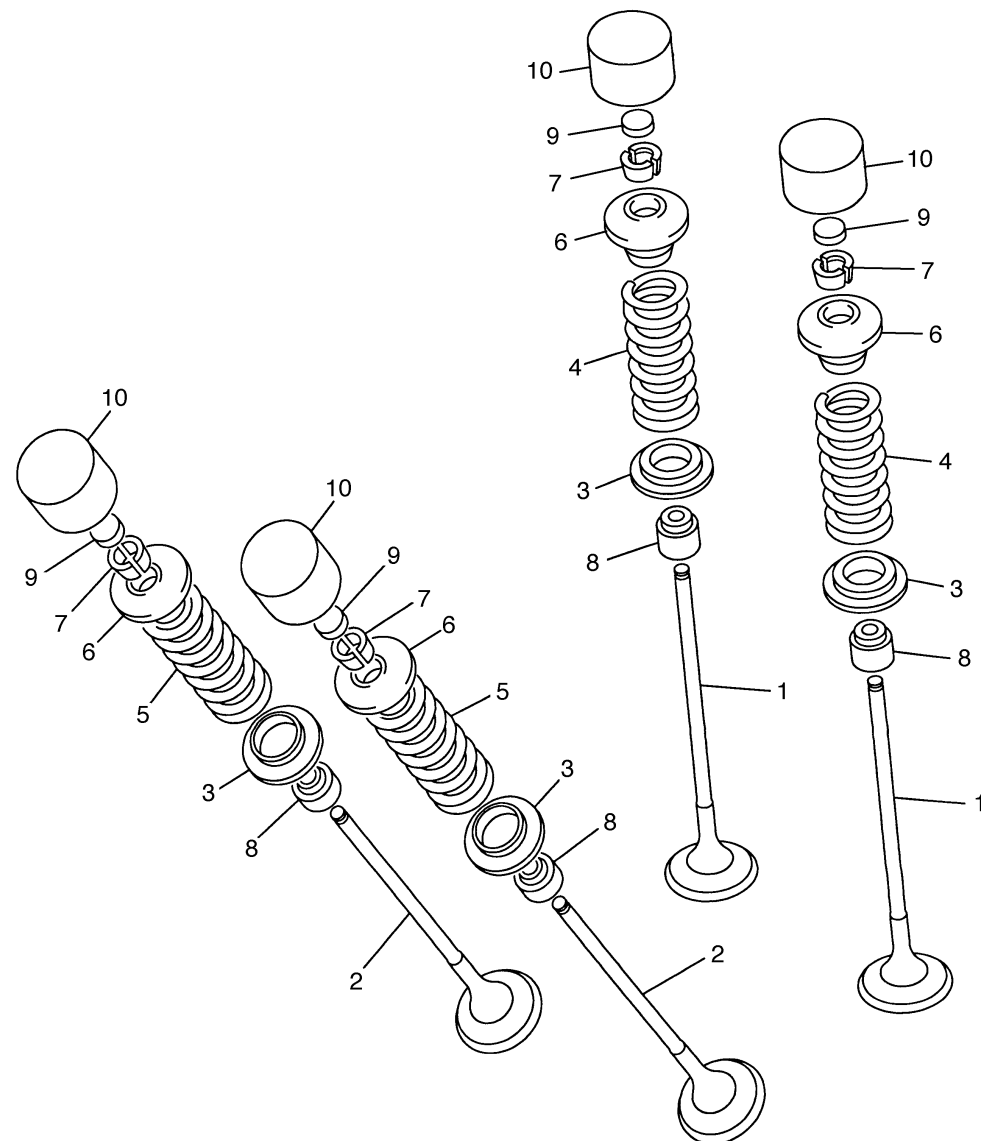
VALVE

Ref No.	Part Number	Description	Qty	Remarks
1	13S-12111-00-00	VALVE, INTAKE	8	
2	2C0-12121-00-00	VALVE, EXHAUST	8	
3	2C0-12116-00-00	SEAT, VALVE SPRING	16	
4	13S-12113-00-00	SPRING, VALVE INNER	8	
5	13S-12114-00-00	SPRING, VALVE OUTER	8	
6	13S-12117-00-00	RETAINER, VALVE SPRING	16	
7	1WG-12118-00-00	COTTER, VALVE	32	
8	4SV-12119-00-00	SEAL, VALVE STEM	16	
9	1HX-12168-F0-00	PAD, ADJUSTING 2 (1.50)	16	UR
9	1HX-12169-E0-00	PAD, ADJUSTING 2 (2.15)	16	UR
9	1HX-12169-90-00	PAD, ADJUSTING 2 (2.10)	16	UR
9	1HX-12169-70-00	PAD, ADJUSTING 2 (2.05)	16	UR
9	1HX-12169-50-00	PAD, ADJUSTING 2 (2.00)	16	UR
9	1HX-12169-31-00	PAD, ADJUSTING 2 (1.95)	16	UR
9	1HX-12169-11-00	PAD, ADJUSTING 2 (1.90)	16	UR
9	1HX-12168-Y1-00	PAD, ADJUSTING 2 (1.85)	16	UR
9	1HX-12168-W1-00	PAD, ADJUSTING 2 (1.80)	16	UR
9	1HX-12168-U1-00	PAD, ADJUSTING 2 (1.75)	16	UR
9	1HX-12169-T0-00	PAD, ADJUSTING 2 (2.40)	16	UR
9	1HX-12169-N0-00	PAD, ADJUSTING 2 (2.35)	16	UR

CONTINUED ON NEXT FRAME >



2C01300-E030



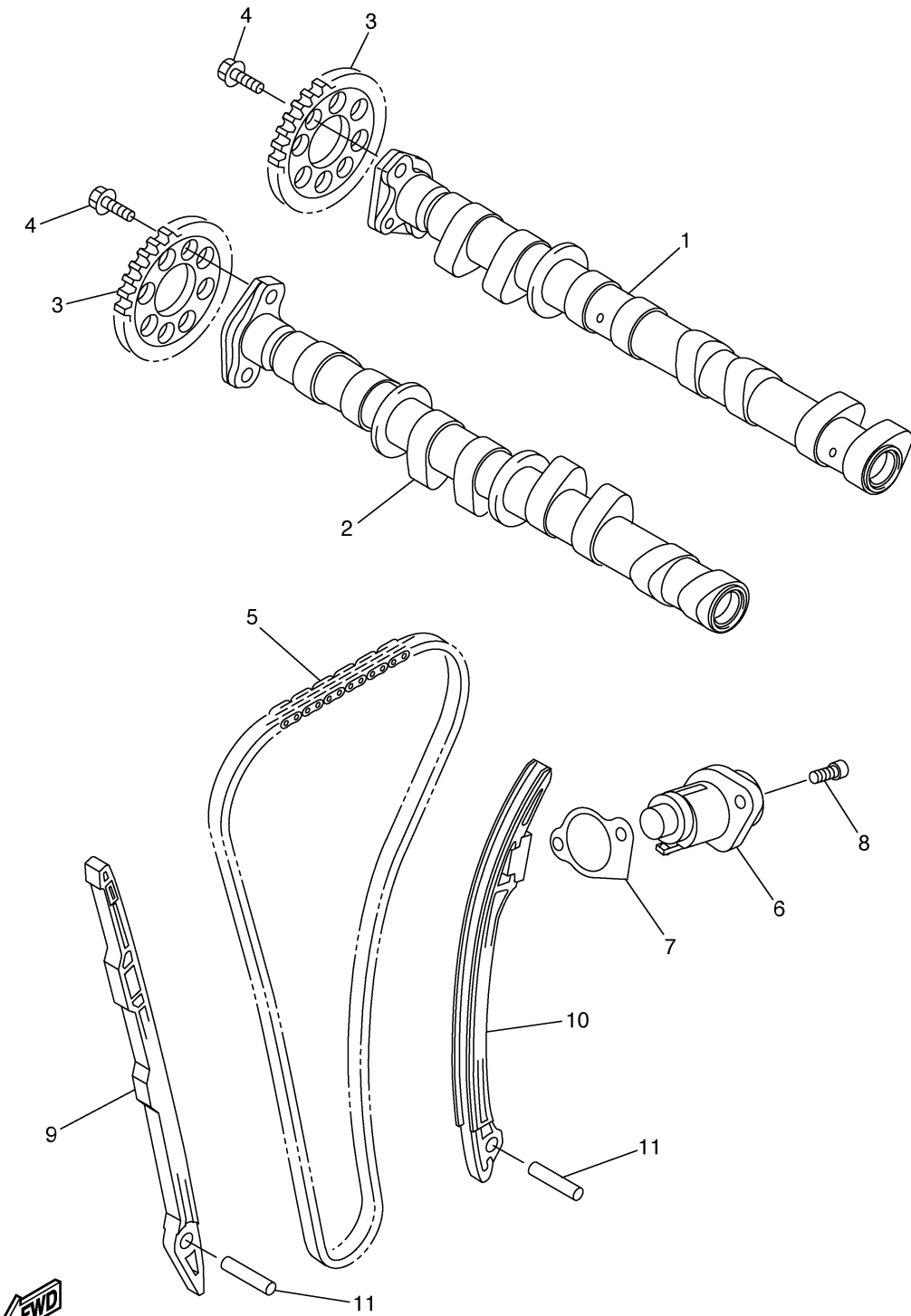
VALVE

Ref No.	Part Number	Description	Qty	Remarks
9	1HX-12169-L0-00	PAD, ADJUSTING 2 (2.30)	16	UR
9	1HX-12169-J0-00	PAD, ADJUSTING 2 (2.25)	16	UR
9	1HX-12169-G0-00	PAD, ADJUSTING 2 (2.20)	16	UR
9	1HX-12168-K1-00	PAD, ADJUSTING 2 (1.60)	16	UR
9	1HX-12168-M1-00	PAD, ADJUSTING 2 (1.65)	16	UR
9	1HX-12168-H1-00	PAD, ADJUSTING 2 (1.55)	16	UR
9	1HX-12168-R1-00	PAD, ADJUSTING 2 (1.70)	16	UR
10	5EB-12153-20-00	LIFTER, VALVE	16	UR BLUE
10	5EB-12153-09-00	LIFTER, VALVE (O/S)	16	AP GREEN
10	5EB-12153-30-00	LIFTER, VALVE	16	UR RED



2C01300-E030

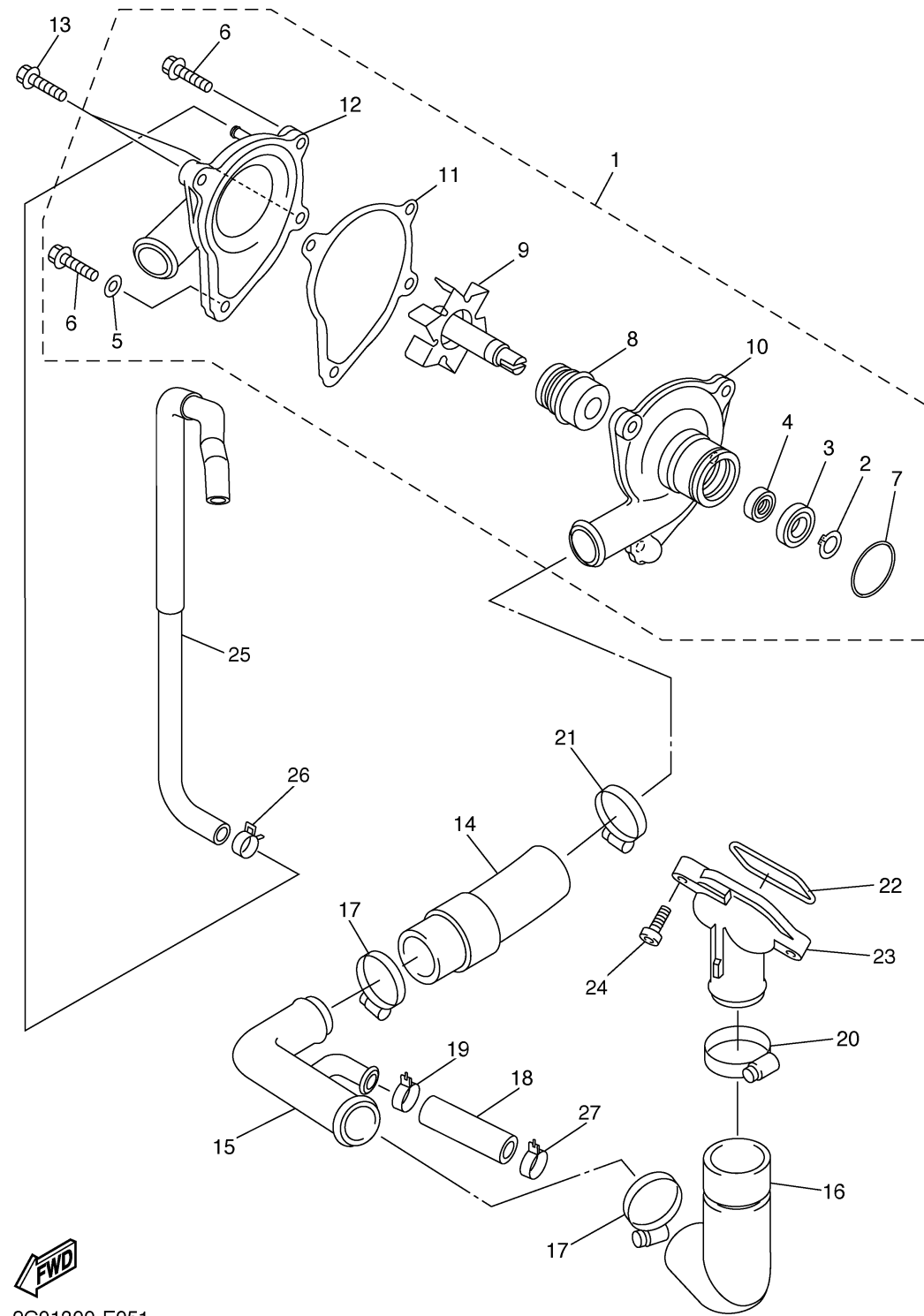
CAMSHAFT CHAIN



2C01300-E040

Ref No.	Part Number	Description	Qty	Remarks
1	13S-12170-00-00	CAMSHAFT ASSY 1	1	
2	13S-12180-00-00	CAMSHAFT ASSY 2	1	
3	2C0-12176-00-00	SPROCKET, CAM CHAIN	2	
4	90105-07004-00	BOLT, FLANGE	4	
5	94591-64118-00	CHAIN	1	
6	13S-12210-00-00	TENSIONER ASSY, CAM CHAIN	1	
7	2C0-12213-00-00	GASKET, TENSIONER CASE	1	
8	90110-06106-00	BOLT, HEXAGON SOCKET HEAD	2	
9	2C0-12251-00-00	DAMPER, CHAIN 1	1	
10	13S-12252-00-00	DAMPER, CHAIN 2	1	
11	93607-44002-00	PIN, DOWEL	2	

WATER PUMP

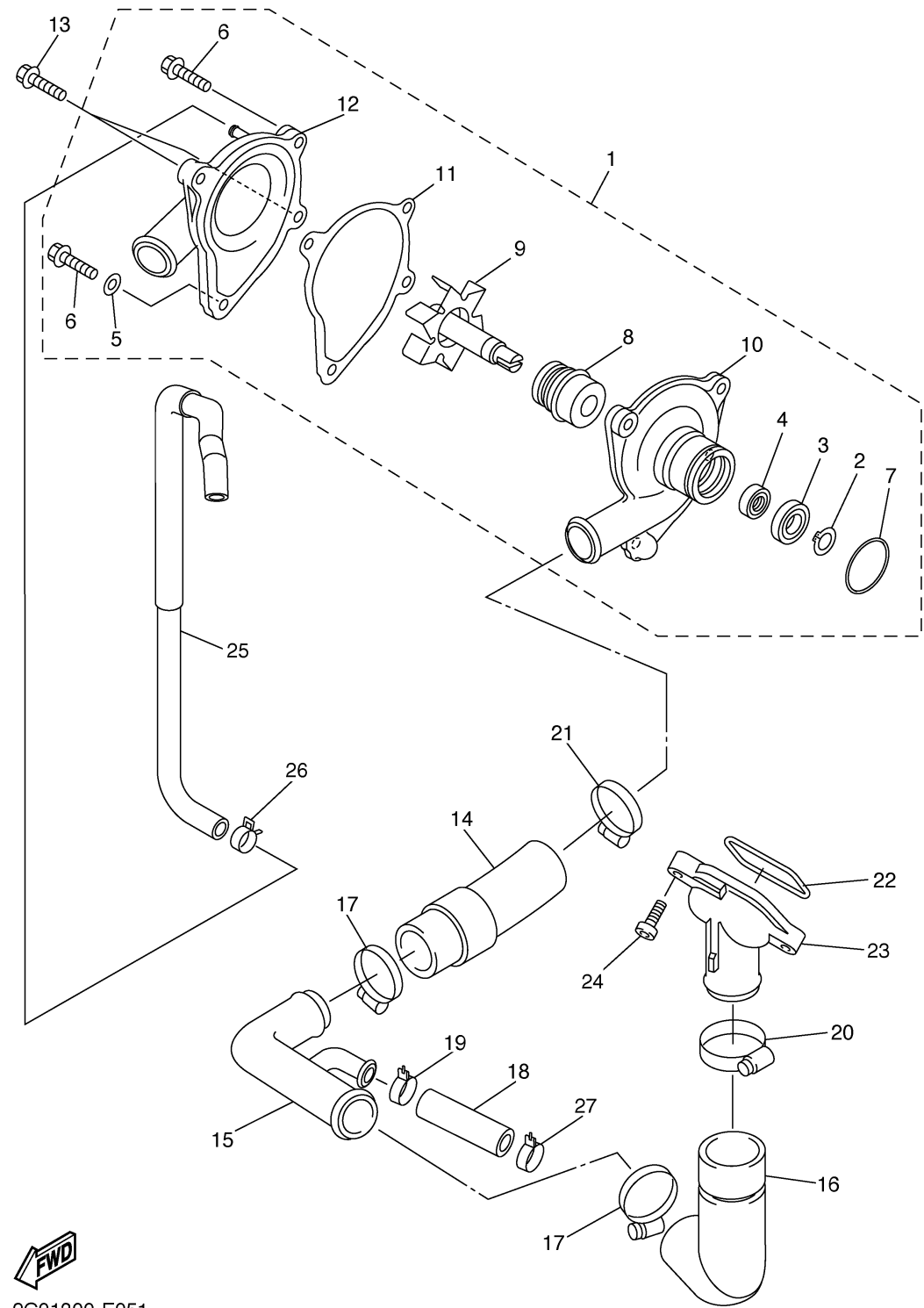


Ref No.	Part Number	Description	Qty	Remarks
1	2C0-12420-00-00	WATER PUMP ASSY	1	
2	99009-10400-00	. CIRCLIP	1	
3	93306-00006-00	. BEARING	1	
4	93101-10090-00	. OIL SEAL	1	
5	90430-06014-00	. GASKET	1	
6	95024-06025-00	. BOLT, FLANGE	2	
7	93210-33133-00	. O-RING	1	
8	2C0-12438-00-00	. SEAL, MECHANICAL	1	
9	2C0-12450-00-00	. IMPELLER SHAFT ASSY	1	
10	2C0-12421-00-00	. HOUSING, WATER PUMP	1	
11	2C0-12428-01-00	. GASKET, HOUSING COVER 2	1	
12	2C0-W1242-00-00	. COVER, HOUSING	1	
13	90110-06140-00	BOLT, HEXAGON SOCKET HEAD	2	
14	2C0-12576-00-00	HOSE 1	1	
15	2C0-12581-00-00	JOINT, HOSE 1	1	
16	2C0-12577-00-00	HOSE 2	1	
17	90450-35001-00	HOSE CLAMP ASSY	2	
18	2C0-12588-00-00	HOSE 5	1	
19	90467-200A0-00	CLIP	1	
20	90450-38002-00	HOSE CLAMP ASSY	1	

CONTINUED ON NEXT FRAME >

 2C01300-E051

WATER PUMP



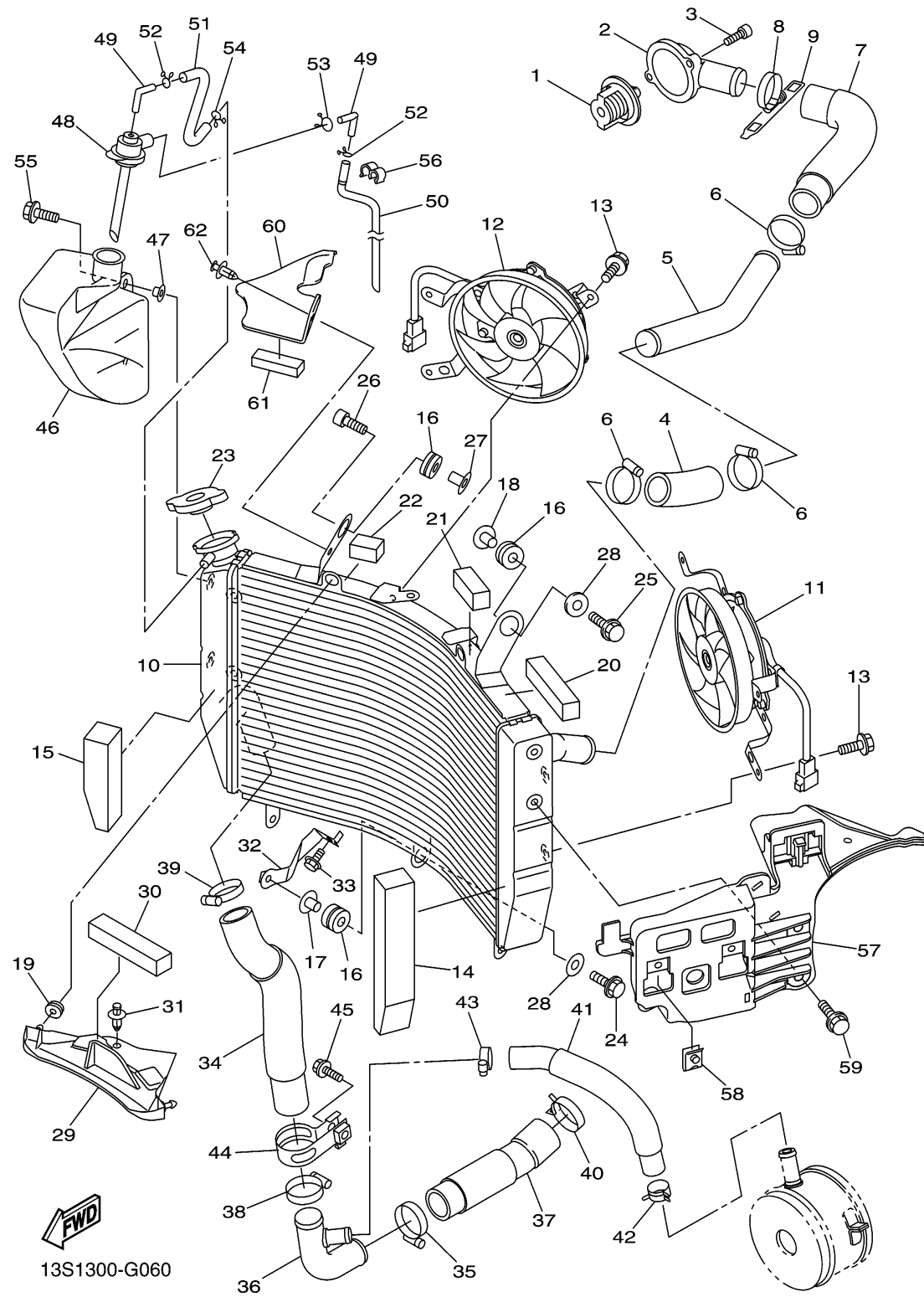
Ref No.	Part Number	Description	Qty	Remarks
21	90450-32001-00	HOSE CLAMP ASSY	1	
22	93210-46001-00	O-RING	1	
23	5EB-12469-00-00	JOINT 1	1	
24	90105-06082-00	BOLT, FLANGE	2	
25	2C0-1243A-00-00	HOSE 1	1	
26	90467-11090-00	CLIP	2	
27	90467-200A0-00	CLIP	1	

 2C01300-E051

RADIATOR HOSE

Ref No.	Part Number	Description	Qty	Remarks
1	5SL-12410-00-00	THERMOSTAT ASSY	1	
2	2C0-12413-00-00	COVER, THERMOSTAT	1	
3	91312-06020-00	BOLT	2	
4	2C0-12578-00-00	HOSE 3	1	
5	2C0-12481-00-00	PIPE 1	1	
6	90450-35001-00	HOSE CLAMP ASSY	3	
7	2C0-12552-00-00	HOSE 8	1	
8	90450-35001-00	HOSE CLAMP ASSY	1	
9	5GV-1246E-00-00	COVER 2	1	
10	13S-12461-00-00	RADIATOR ASSY	1	
11	2C0-12405-00-00	BLOWER ASSY	1	
12	2C0-12405-10-00	BLOWER ASSY	1	
13	5GJ-12675-00-00	BOLT, BLOWER HOLDING	6	
14	2C0-12659-00-00	DAMPER, AIR SHROUD 2	1	
15	2C0-12668-00-00	DAMPER, AIR SHROUD 3	1	
16	90480-15363-00	GROMMET	3	
17	90387-07391-00	COLLAR	1	
18	90387-0614M-00	COLLAR	1	
19	90480-11005-00	GROMMET	2	
20	13S-12659-00-00	DAMPER, AIR SHROUD 2	1	

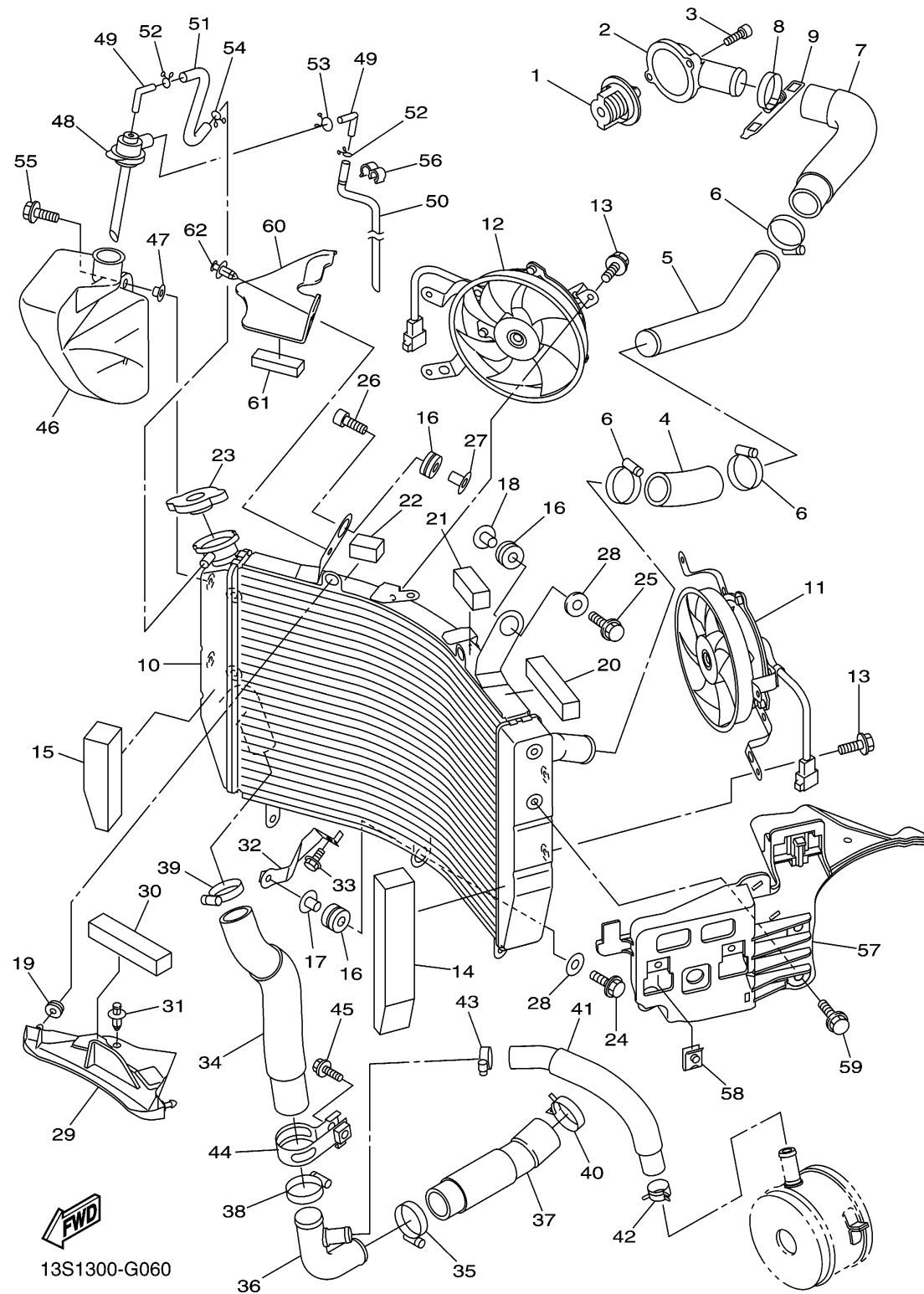
CONTINUED ON NEXT FRAME >



RADIATOR HOSE

Ref No.	Part Number	Description	Qty	Remarks
21	13S-12678-00-00	DAMPER, AIR SHROUD 5	1	
22	13S-12688-00-00	DAMPER, SHROUD 7	1	
23	5SL-12462-00-00	CAP, RADIATOR	1	
24	90105-06040-00	BOLT, FLANGE	1	
25	95807-06035-00	BOLT, FLANGE	1	
26	91317-06035-00	.BOLT	1	
27	90387-0614M-00	COLLAR	1	
28	90201-06071-00	WASHER, PLATE	2	
29	2C0-12535-00-00	PLATE	1	
30	13S-12669-00-00	DAMPER, AIR SHROUD 4	1	
31	90269-07007-00	RIVET	1	
32	2C0-1244E-00-00	BRACKET 1	1	
33	95827-06012-00	BOLT, FLANGE	1	
34	2C0-12579-00-00	HOSE 4	1	
35	90450-35001-00	HOSE CLAMP ASSY	1	
36	2C0-12582-00-00	JOINT, HOSE 2	1	
37	2C0-12551-00-00	HOSE 7	1	
38	90450-35001-00	HOSE CLAMP ASSY	1	
39	90450-35001-00	HOSE CLAMP ASSY	1	
40	90467-310A0-00	CLIP	1	

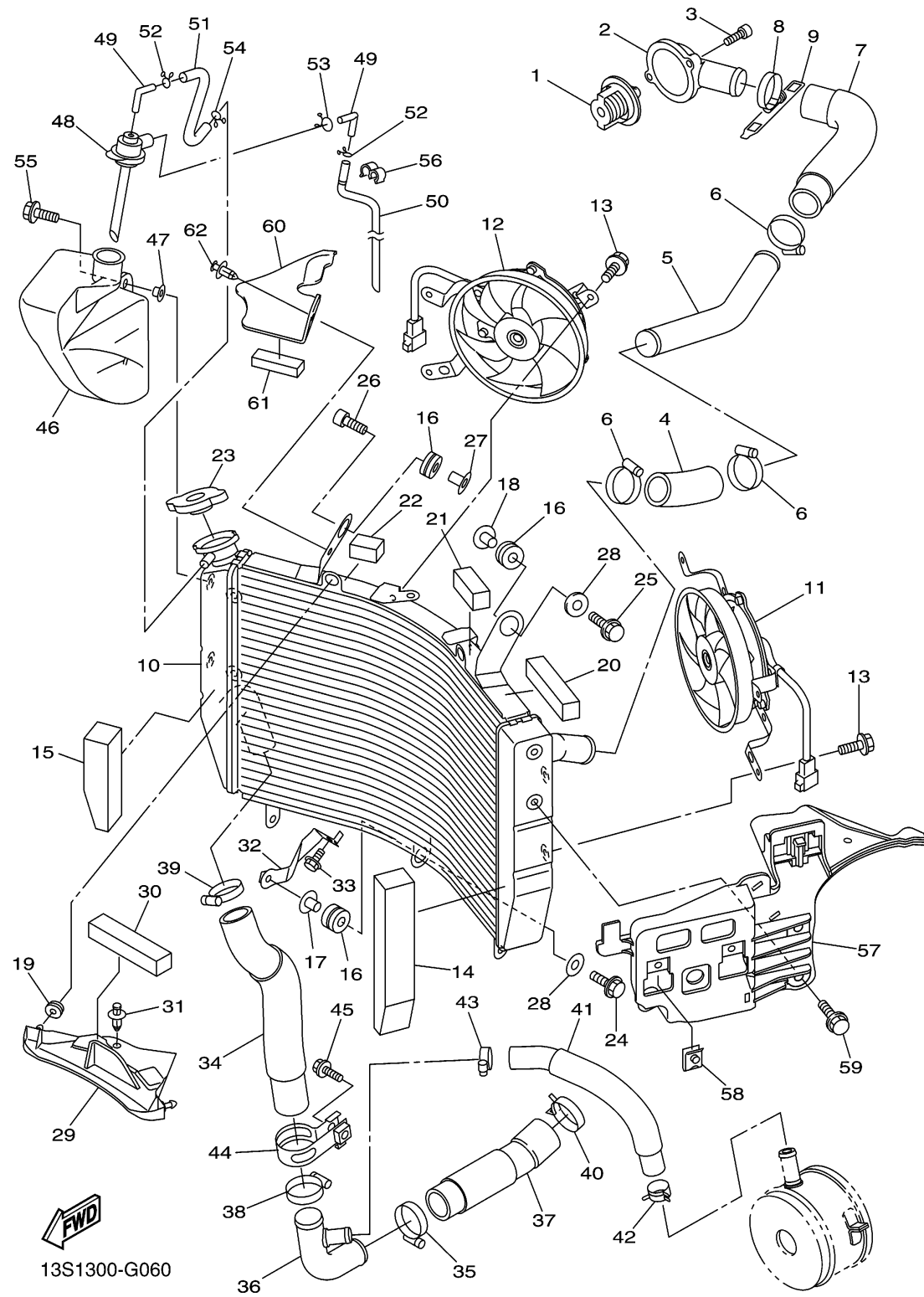
CONTINUED ON NEXT FRAME >



RADIATOR HOSE

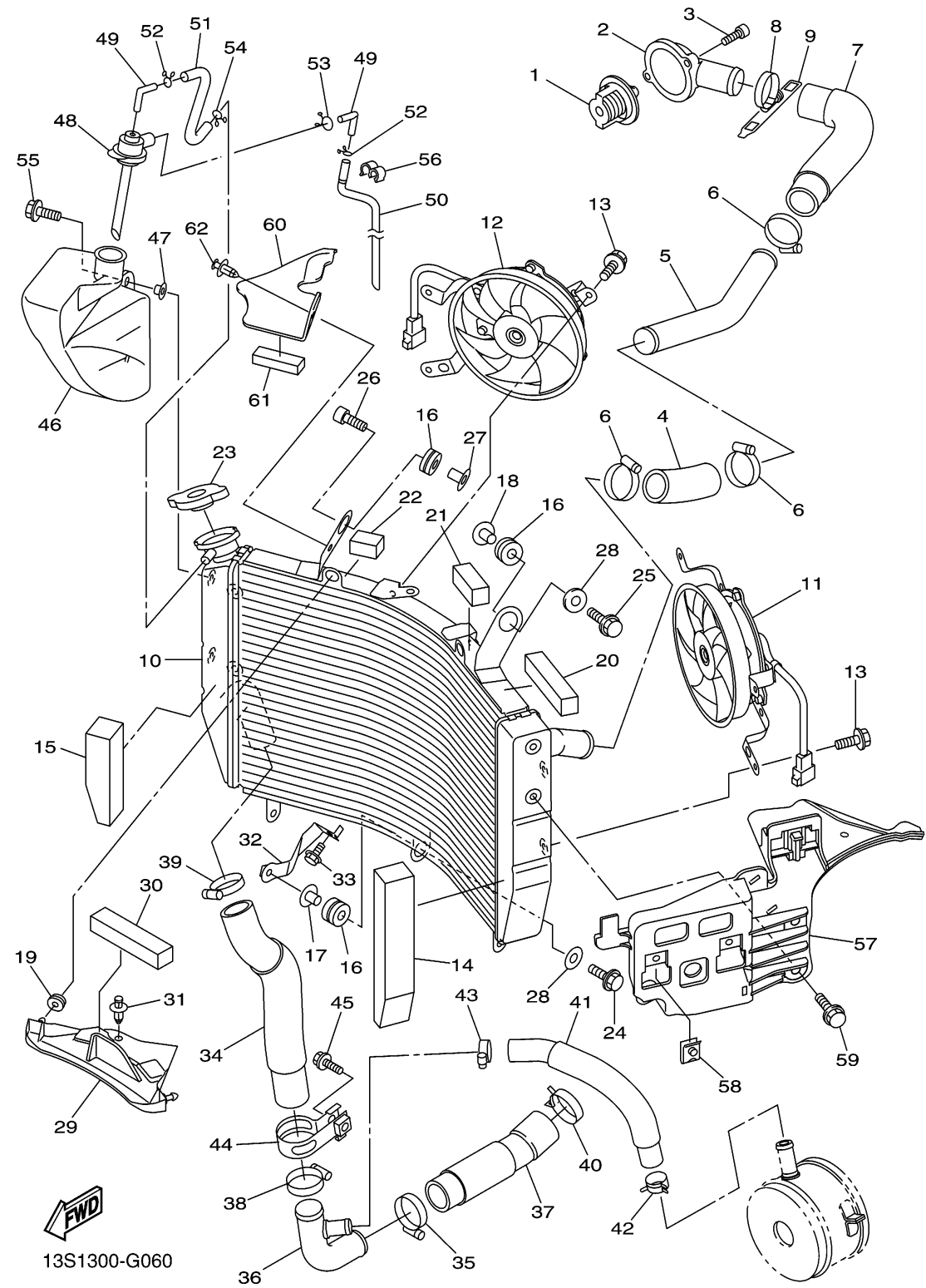
Ref No.	Part Number	Description	Qty	Remarks
41	2C0-12589-00-00	HOSE 6	1	
42	90467-200A0-00	CLIP	1	
43	90450-22017-00	HOSE CLAMP ASSY	1	
44	2C0-12491-00-00	CLAMP 1	1	
45	95027-10020-00	BOLT, FLANGE	1	
46	2C0-21871-00-00	TANK, RECOVERY	1	
47	90387-06681-00	COLLAR	2	
48	2C0-21875-00-00	CAP	1	
49	26H-21828-00-00	ELBOW	2	
50	2C0-21816-00-00	PIPE 1	1	
51	2C0-1243F-00-00	HOSE,3	1	
52	90467-08003-00	CLIP	2	
53	90467-10M04-00	CLIP	1	
54	90467-08003-00	CLIP	1	
55	95802-06014-00	BOLT, FLANGE	2	
56	90464-10M38-00	CLAMP	1	
57	13S-2836H-00-00	BRACKET 5	1	
58	90183-06069-00	NUT, SPRING	2	
59	95802-06014-00	BOLT, FLANGE	2	
60	2C0-1246H-00-00	COVER 5	1	

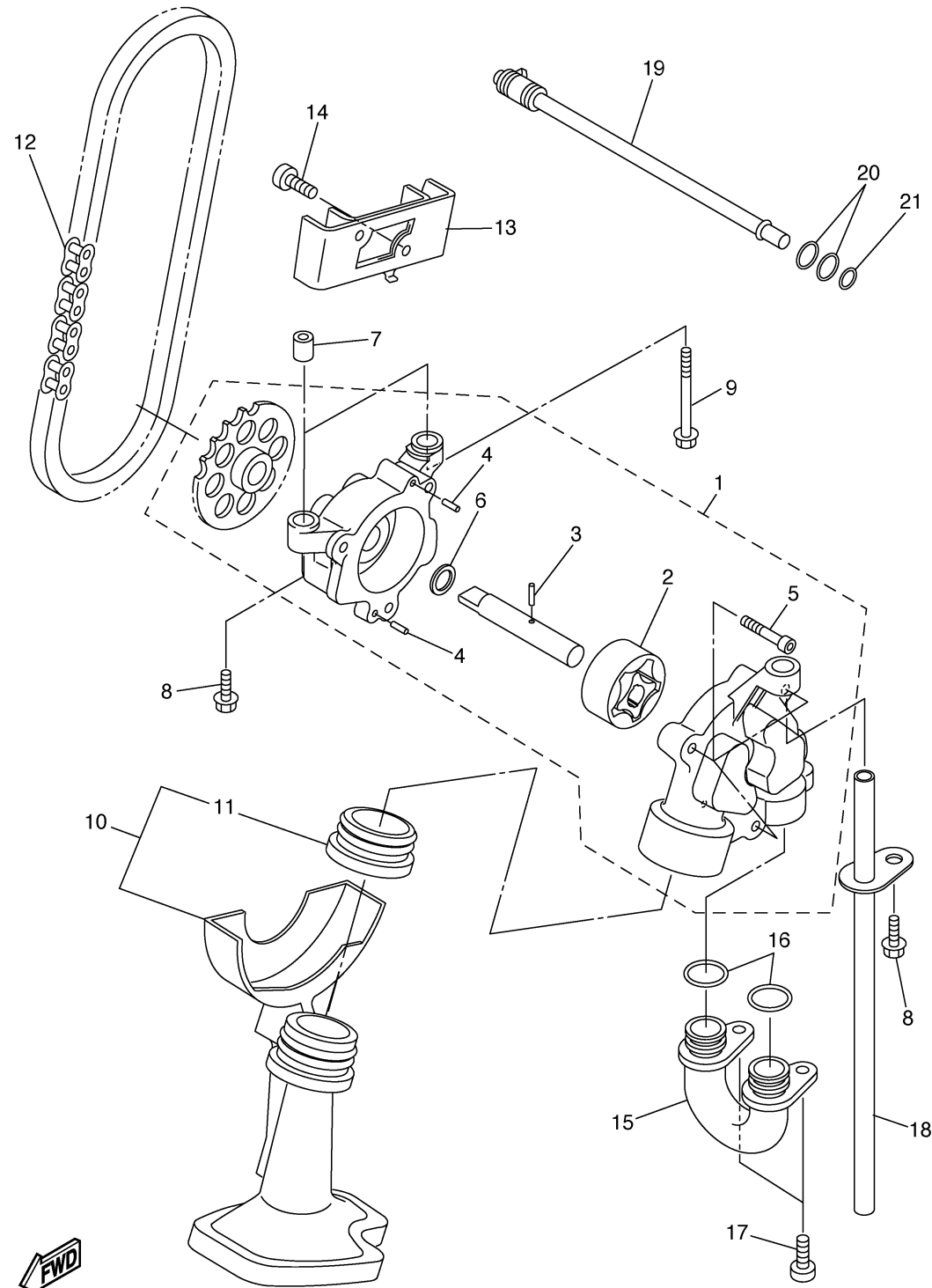
CONTINUED ON NEXT FRAME >



RADIATOR HOSE

Ref No.	Part Number	Description	Qty	Remarks
61	13S-12668-00-00	DAMPER, AIR SHROUD 3	1	
62	90269-06083-00	RIVET	1	



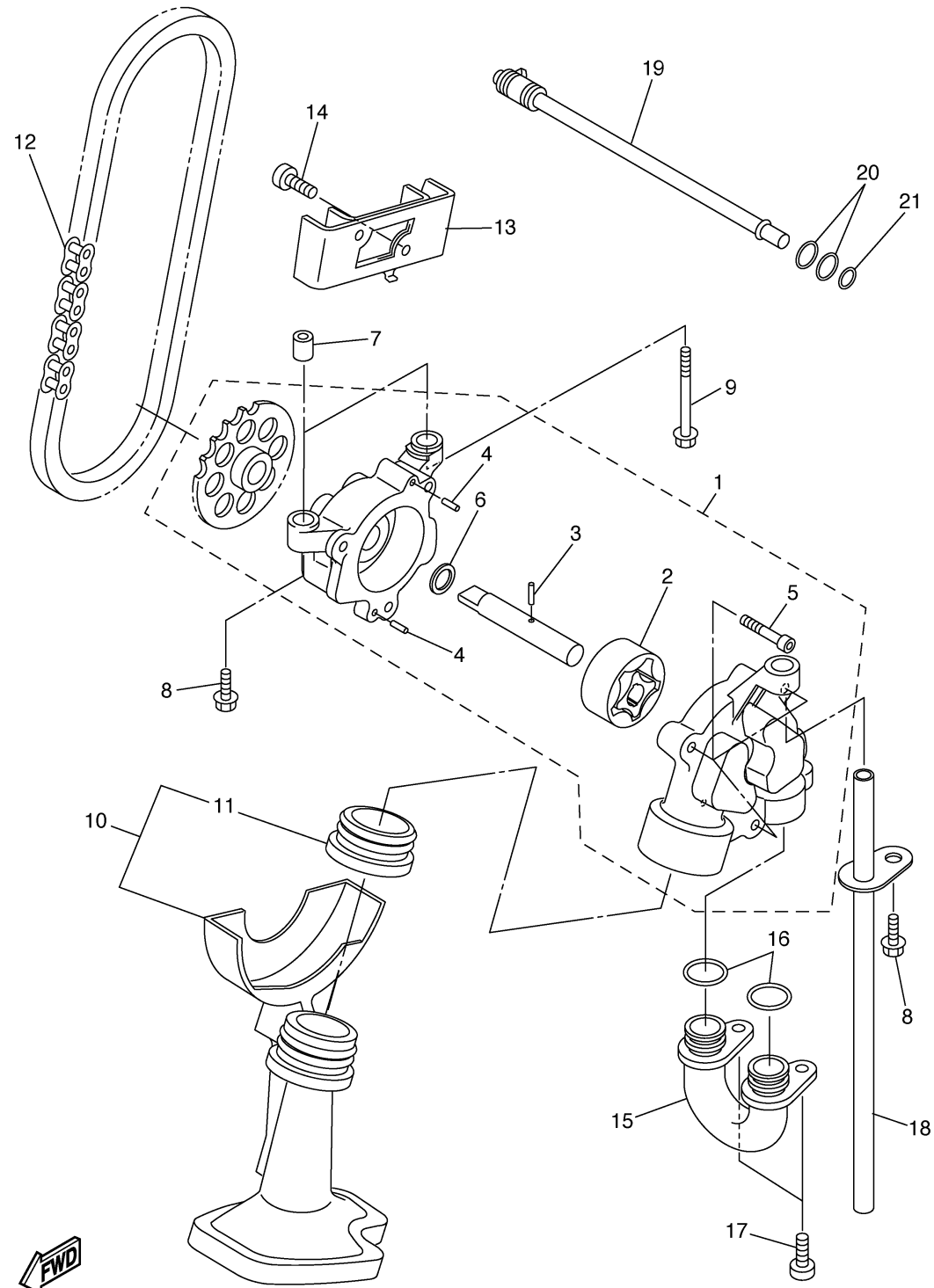



2C01300-E070

OIL PUMP

Ref No.	Part Number	Description	Qty	Remarks
1	2C0-13300-00-00	OIL PUMP ASSY	1	
2	4SV-13310-00-00	. ROTOR ASSY 1	1	
3	93603-17070-00	. PIN, DOWEL	1	
4	93603-09106-00	. PIN, DOWEL	2	
5	91312-06025-00	. BOLT	3	
6	90201-113K2-00	. WASHER, PLATE	1	
7	91808-17032-00	PIN, DOWEL	2	
8	95812-06030-00	BOLT, FLANGE	2	
9	95812-06080-00	BOLT, FLANGE	1	
10	2C0-13410-00-00	STRAINER HOUSING ASSY	1	
11	2C0-13415-00-00	. SEAL, OIL STRAINER	1	
12	94580-25074-00	CHAIN	1	
13	2C0-13898-00-00	HOLDER	1	
14	90110-06161-00	BOLT, HEXAGON SOCKET HEAD	2	
15	2C0-13416-00-00	PIPE, OIL 1	1	
16	93210-14003-00	O-RING	2	
17	90110-06161-00	BOLT, HEXAGON SOCKET HEAD	2	
18	5EB-13161-00-00	PIPE, DELIVERY 1	1	
19	2C0-1316E-00-00	PIPE, DELIVERY 5	1	
20	93210-09165-00	O-RING	2	

CONTINUED ON NEXT FRAME >



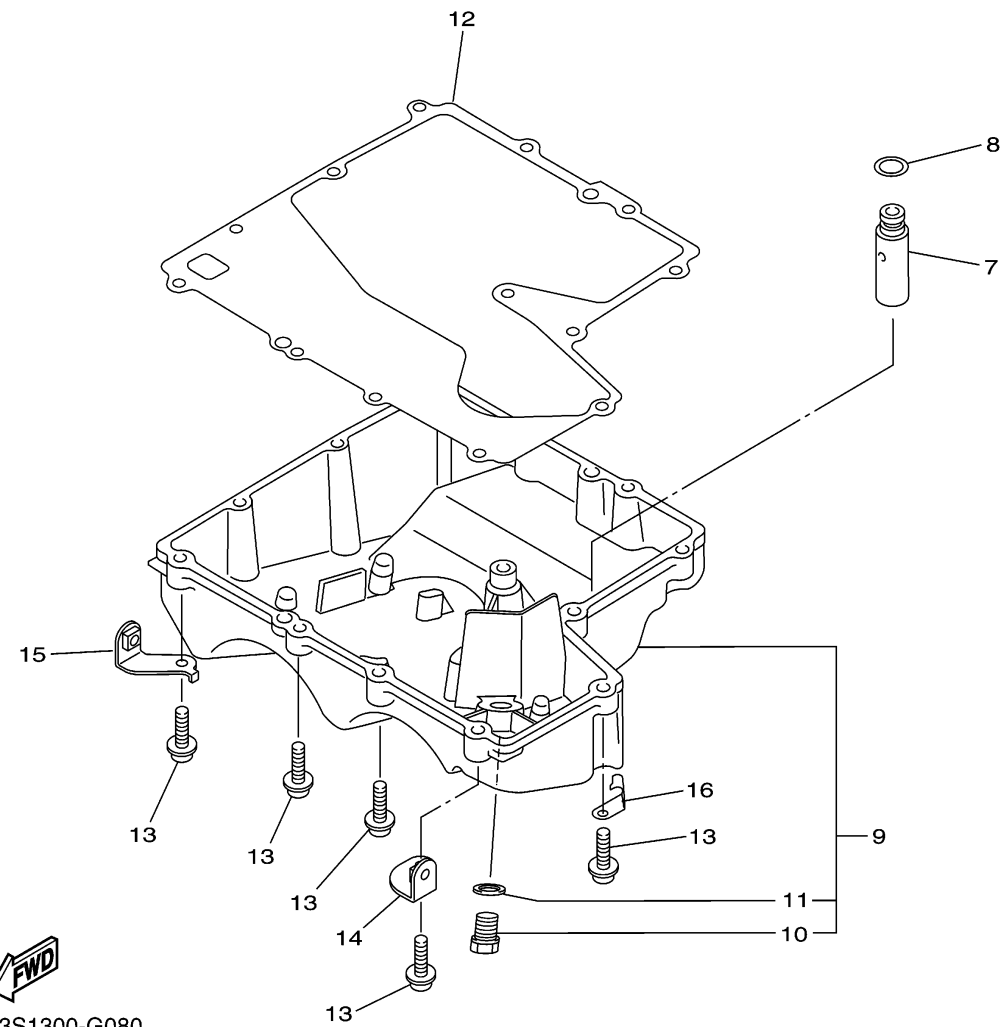
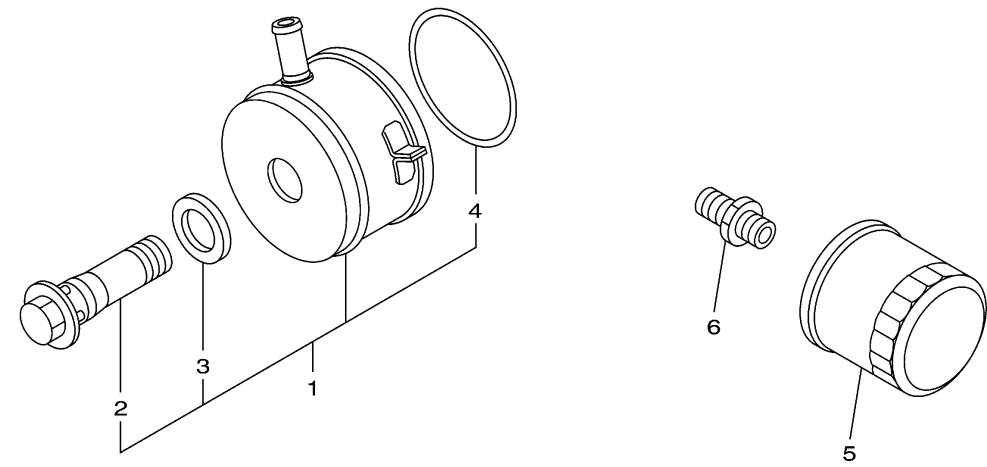
2C01300-E070

OIL PUMP

Ref No.	Part Number	Description	Qty	Remarks
21	93210-06667-00	O-RING	1	

OIL CLEANER

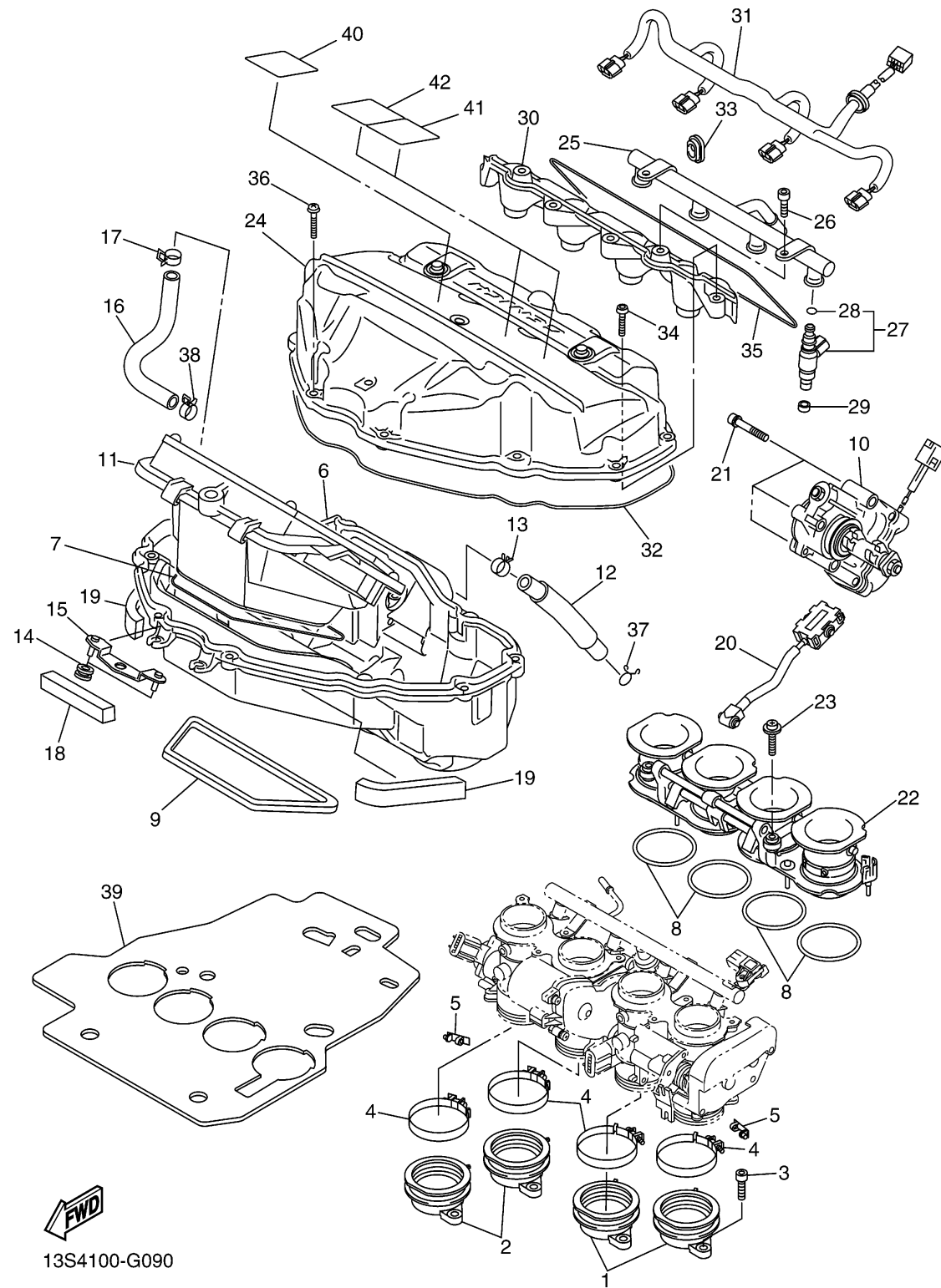
Ref No.	Part Number	Description	Qty	Remarks
1	13S-13470-00-00	OIL COOLER ASSY	1	
2	5EB-12822-00-00	. BOLT, UNION	1	
3	5EB-13475-00-00	. GASKET	1	
4	5JW-13473-00-00	. O-RING	1	
5	5GH-13440-20-00	ELEMENT ASSY, OIL CLEANER	1	
6	90401-20145-00	BOLT, UNION	1	
7	2C0-13490-00-00	RELIEF VALVE ASSY	1	
8	93210-15566-00	O-RING	1	
9	2C0-13417-00-00	COVER, STRAINER	1	
10	90340-14132-00	. PLUG, STRAIGHT SCREW	1	
11	214-11198-01-00	. GASKET	1	
12	2C0-13414-01-00	GASKET, STRAINER COVER	1	
13	90109-06015-00	BOLT	13	
14	13S-2836A-00-00	BRACKET 1	1	
15	13S-2836E-00-00	BRACKET 2	1	
16	90465-10040-00	CLAMP	1	



INTAKE

Ref No.	Part Number	Description	Qty	Remarks
1	2C0-13586-00-00	JOINT, CARBURETOR 1	2	
2	2C0-13596-00-00	JOINT, CARBURETOR 2	2	
3	91312-06016-00	BOLT	8	
4	90450-56007-00	HOSE CLAMP ASSY	4	
5	2C0-13881-00-00	COVER 1	2	
6	13S-14411-00-00	CASE, AIR CLEANER 1	1	
7	13S-14462-00-00	SEAL	1	
8	13S-14457-00-00	SEAL	4	
9	2C0-14467-00-00	SEAL	1	
10	13S-85870-00-00	GEARED MOTOR COMP. 2	1	
11	13S-14450-10-00	ELEMENT ASSY, AIR CLEANER	1	
12	13S-15373-00-00	PIPE, BREATHER	1	
13	90467-15001-00	CLIP	1	
14	90480-08264-00	GROMMET	2	
15	13S-14498-00-00	STAY 1	1	
16	13S-14882-00-00	HOSE, BEND 2	1	
17	90467-180A3-00	CLIP	1	
18	2C0-14409-00-00	DAMPER	1	
19	2C0-14425-00-00	DAMPER 1	2	
20	13S-14490-00-00	SHAFT ASSY	1	

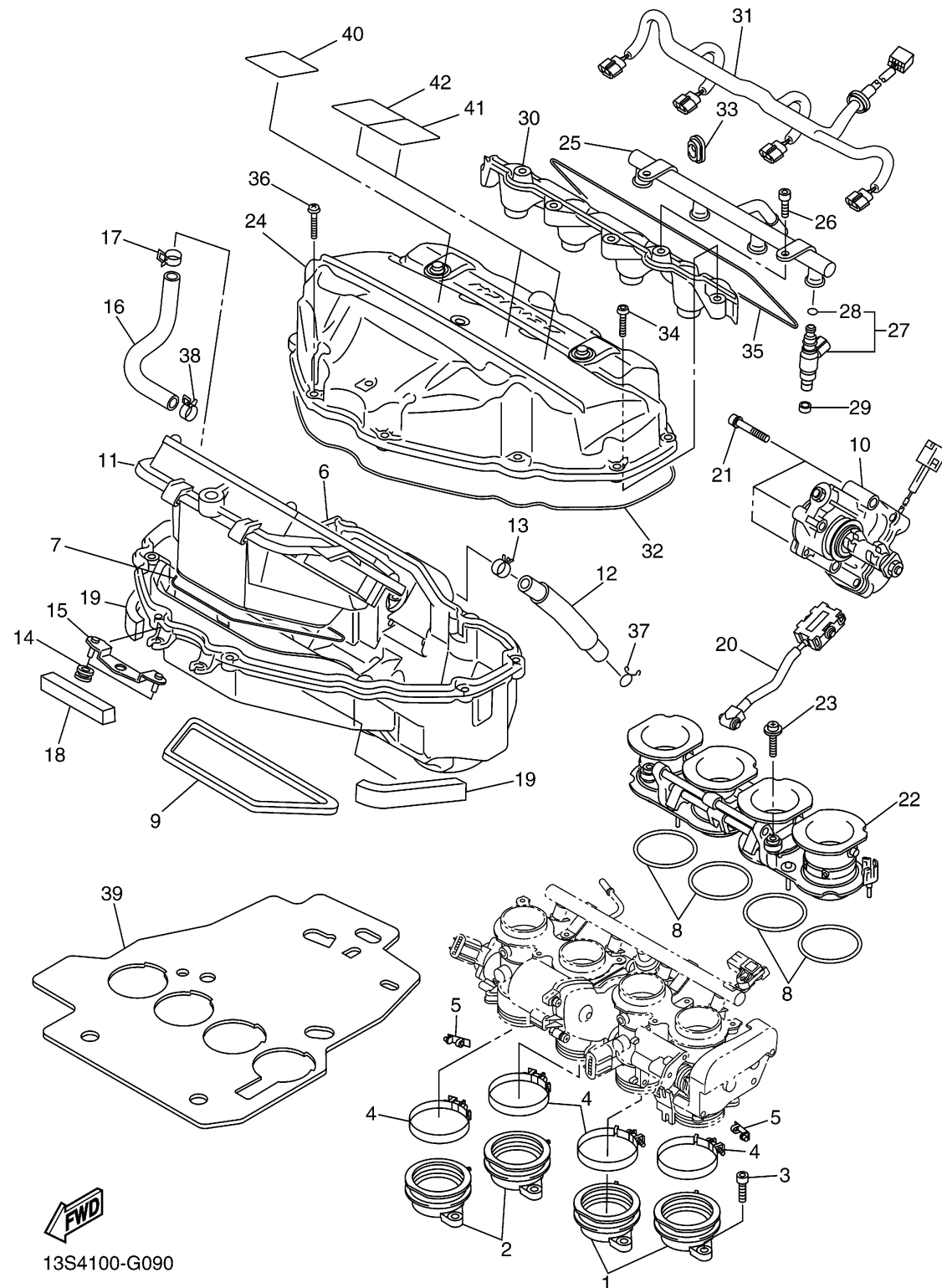
CONTINUED ON NEXT FRAME >



INTAKE

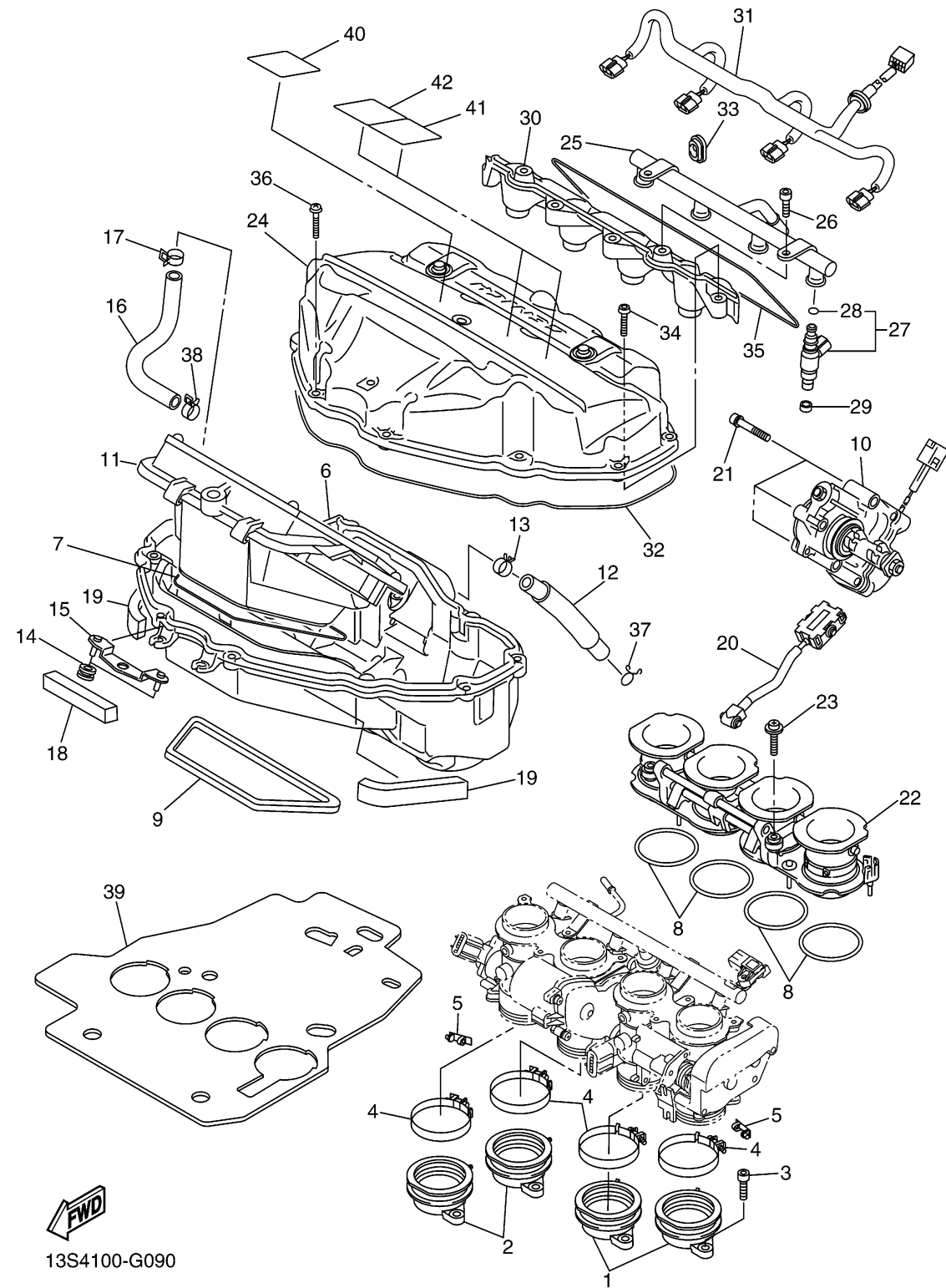
Ref No.	Part Number	Description	Qty	Remarks
21	90110-05047-00	BOLT, HEXAGON SOCKET HEAD	3	
22	13S-1440B-00-00	JOINT ASSY	1	
23	90159-05035-00	SCREW, WITH WASHER	2	
24	13S-14421-00-00	CASE, AIR CLEANER 2	1	
25	13S-13938-00-00	PIPE	1	
26	90111-06064-00	BOLT, HEX. SOCKET BUTTON	2	
27	13S-13761-00-00	INJECTOR	4	
28	5PS-14147-00-00	. O-RING	1	
29	90430-09002-00	GASKET	4	
30	13S-13767-00-00	CAP, INJECTOR	1	
31	13S-82318-00-00	WIRE, SUB-LEAD	1	
32	2C0-14452-00-00	SEAL	1	
33	13S-14445-00-00	GROMMET	1	
34	92012-06020-00	BOLT, BUTTON HEAD	4	
35	13S-1446R-00-00	SEAL	1	
36	98902-05020-00	SCREW, BIND	11	
37	90467-14015-00	CLIP	1	
38	90467-180A3-00	CLIP	1	
39	2C0-12682-00-00	PROTECTOR, HEAT	1	
40	5VX-21684-00-00	PLATE, ROUTING	1	

CONTINUED ON NEXT FRAME >

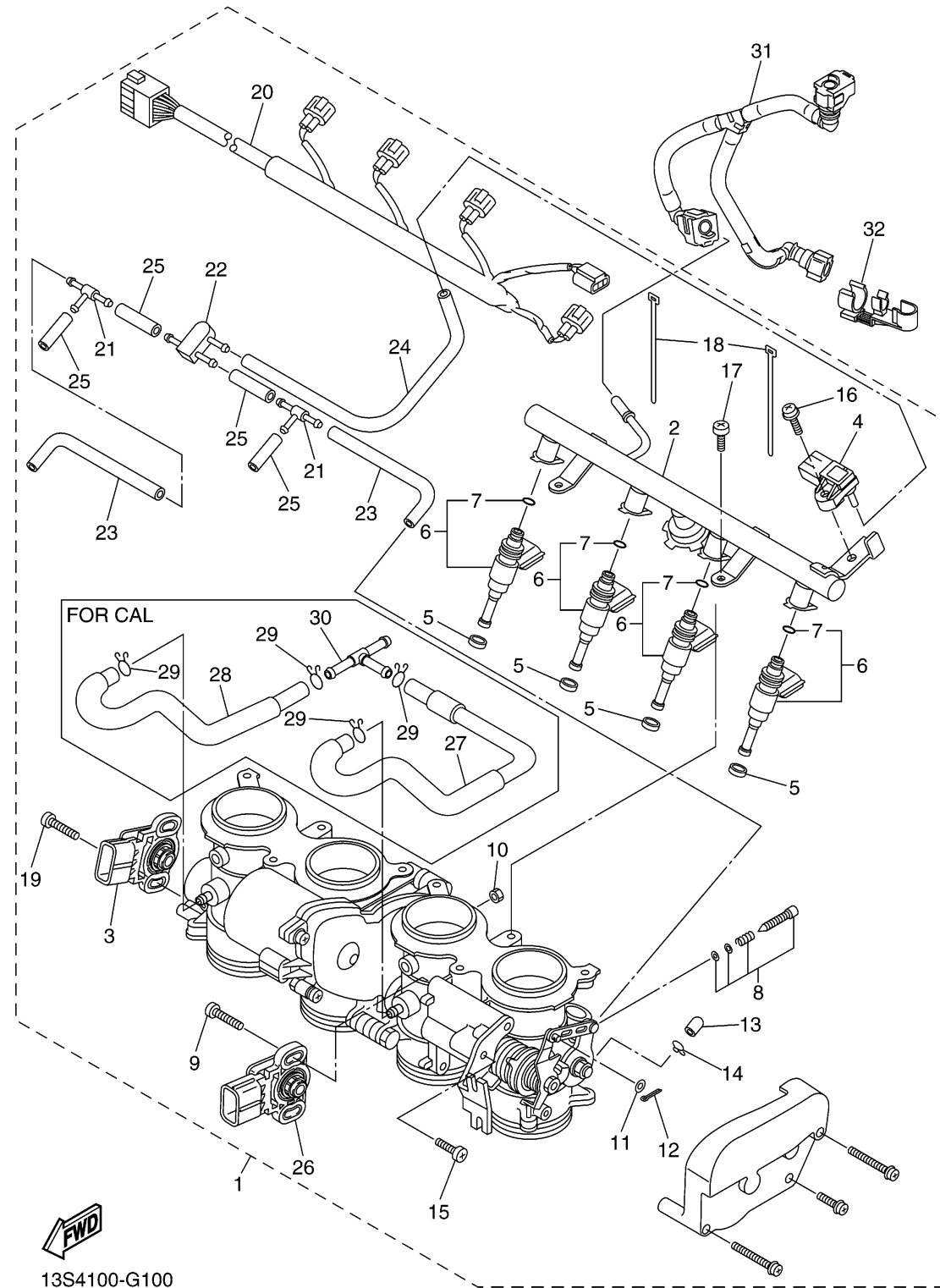


INTAKE

Ref No.	Part Number	Description	Qty	Remarks
41	5PW-21686-01-00	PLATE, ROUTING 2	1	
42	13S-2178A-00-00	LABEL	1	



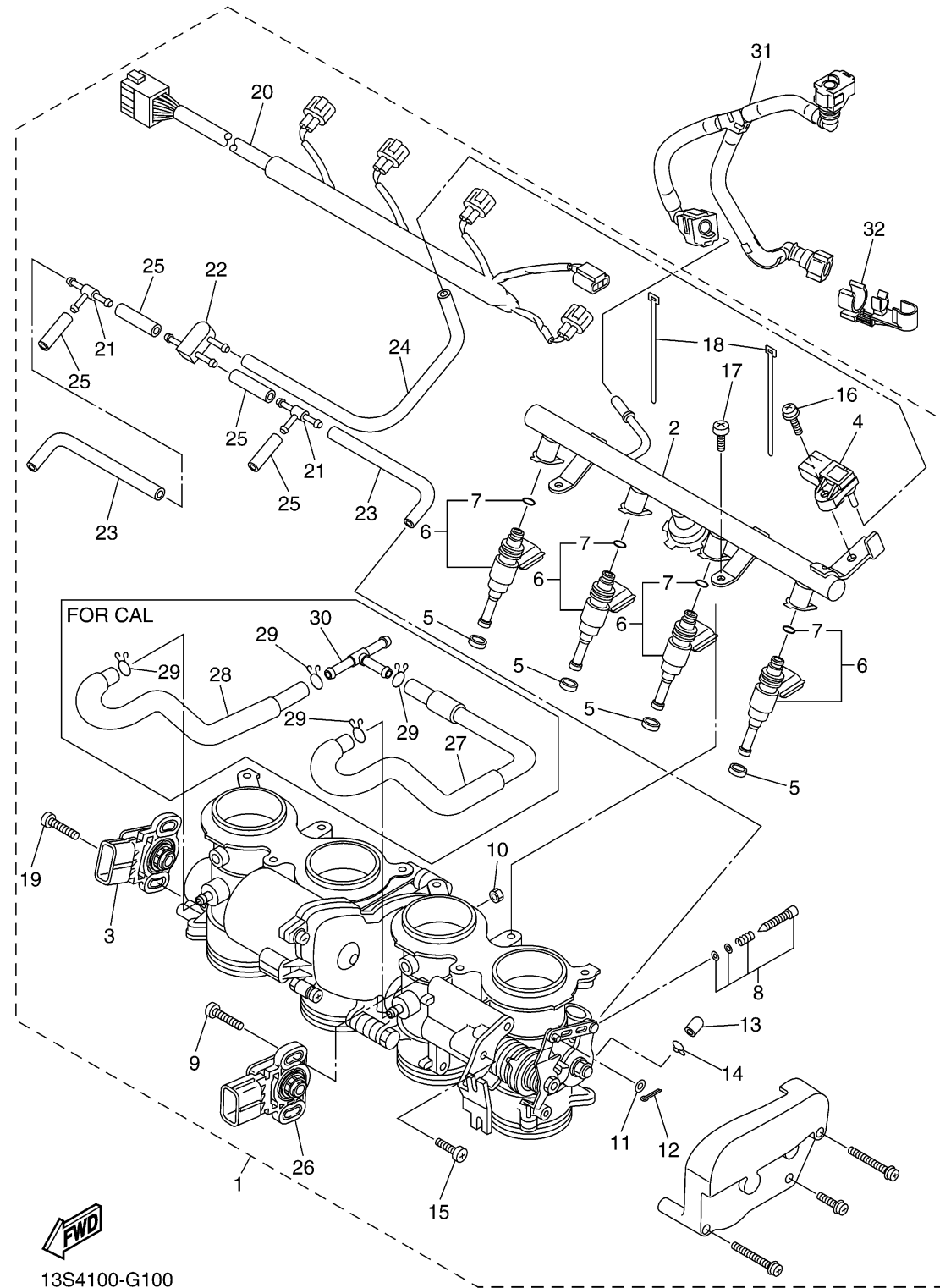
INTAKE 2



Ref No.	Part Number	Description	Qty	Remarks
1	13S-13750-00-00	THROTTLE BODY ASSY	1	X (13S4) U49
1	13S-13750-10-00	THROTTLE BODY ASSY	1	XC (13S5) CA
2	13S-13930-00-00	. PIPE INLET ASSEMBLY	1	
3	13S-85885-00-00	. THROTTLE SENSOR ASSY	1	
4	2C0-82380-00-00	. SENSOR, PRESSURE	1	
5	8FP-13556-00-00	. GASKET, MANIFOLD	4	
6	2C0-13761-00-00	. INJECTOR	4	
7	5PS-14147-00-00	. O-RING	1	
8	2C0-14105-00-00	. PILOT SCREW SET	4	
9	5FL-14216-00-00	. SCREW	2	
10	95307-04700-00	. NUT	1	
11	22U-14952-00-00	. WASHER	1	
12	91492-12010-00	. PIN, COTTER	1	
13	895-14169-00-00	. CAP	4	
14	8A7-14139-00-00	. CLIP, PIPE	4	
15	98507-05012-00	. SCREW, PAN HEAD	2	
16	2C0-14216-00-00	. SCREW	1	
17	98507-06012-00	. SCREW, PAN HEAD	2	
18	4KM-14137-00-00	. CLIP	2	
19	8CC-14216-10-00	. SCREW	2	

CONTINUED ON NEXT FRAME >

INTAKE 2

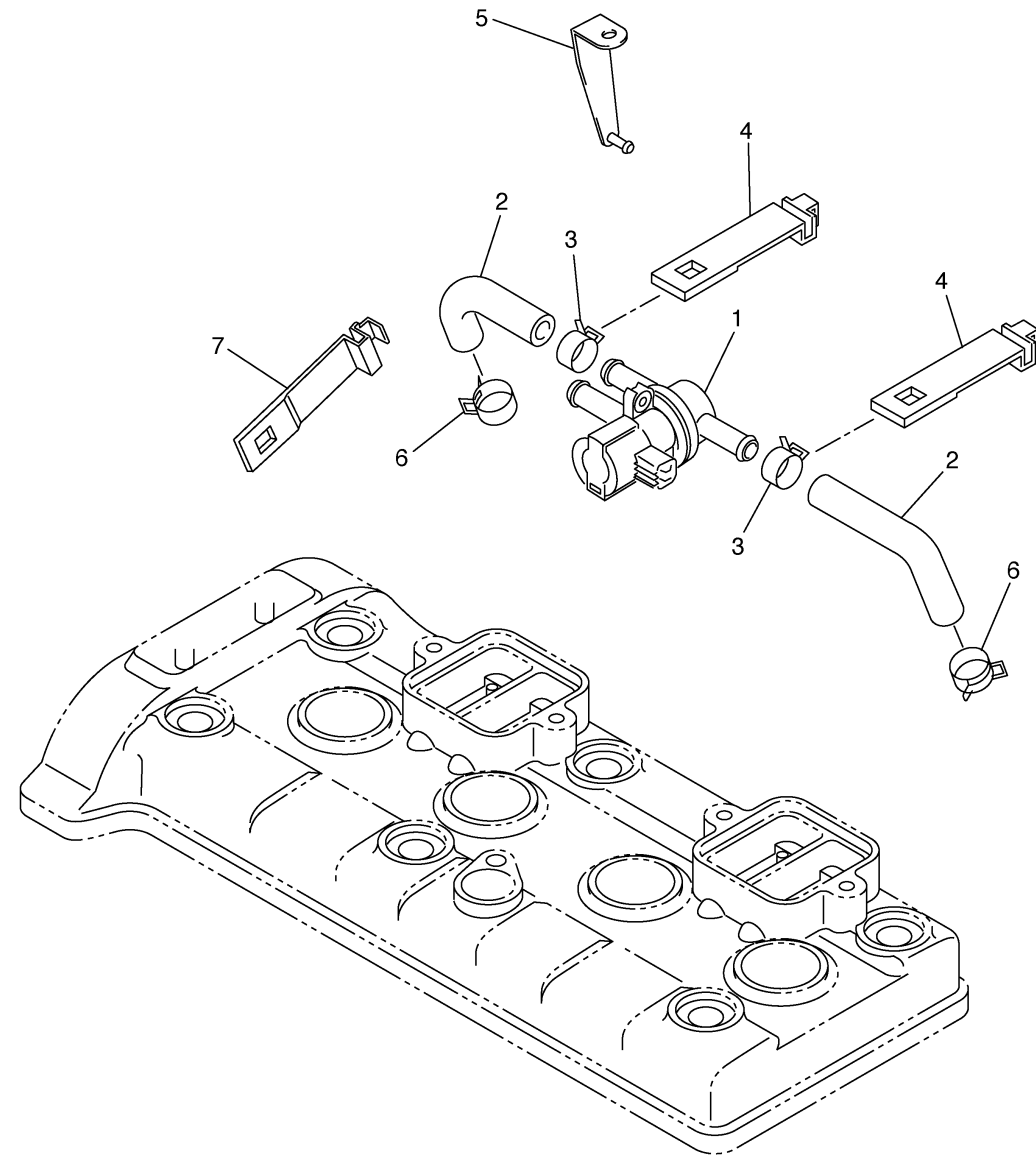


13S4100-G100

Ref No.	Part Number	Description	Qty	Remarks
20	13S-82386-00-00	. EXTENSION, WIRE HARNESS	1	
21	68V-24376-00-00	. PIPE, JOINT 1	2	
22	3XV-14251-00-00	. NIPPLE	1	
23	68V-13533-00-00	. HOSE, VACUUM SENSING 4	2	
24	2C0-13532-00-00	. HOSE, VACUUM SENSING 3	1	
25	5FL-14348-10-00	. PIPE 1	4	
26	13S-85884-00-00	. ACCELERATOR SENSOR ASSY	1	
27	13S-14465-00-00	. PIPE	1	
28	13S-14466-00-00	. PIPE	1	
29	90467-100A1-00	. CLIP	4	
30	90413-08012-00	. WAY 3	1	
31	13S-13971-01-00	PIPE, FUEL 1	1	
32	90464-16005-00	CLAMP	1	

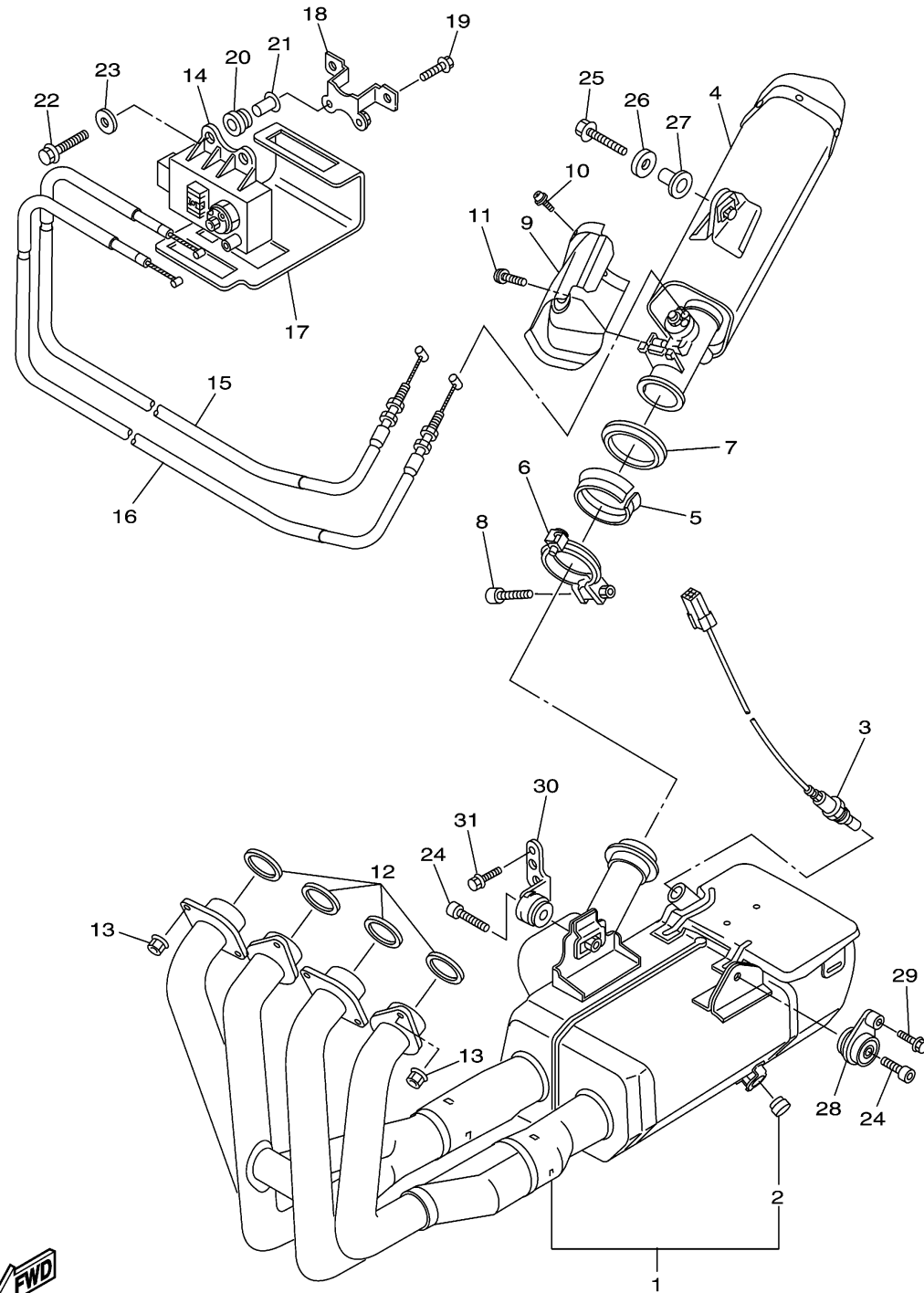
AIR INDUCTION SYSTEM

Ref No.	Part Number	Description	Qty	Remarks
1	2C0-14840-00-00	AIR CUT VALVE ASSY	1	
2	2C0-14881-00-00	HOSE, BEND 1	2	
3	90467-18172-00	CLIP	2	
4	5JW-14723-00-00	COVER 1	2	
5	2C0-21249-00-00	BRACKET	1	
6	90467-180A0-00	CLIP	2	
7	5JW-14723-00-00	COVER 1	1	



2C01300-E110

EXHAUST

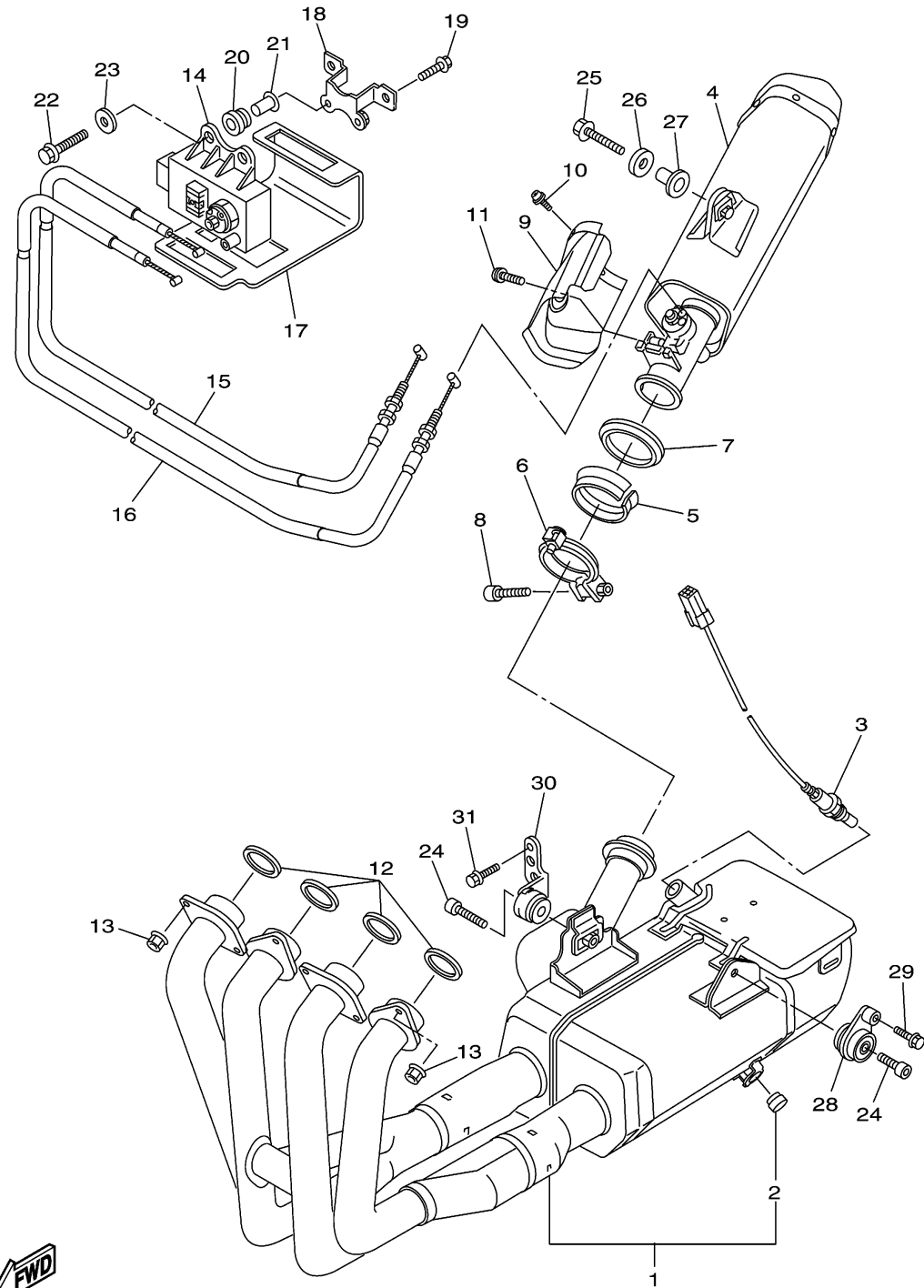


Ref No.	Part Number	Description	Qty	Remarks
1	13S-14610-00-00	EXHAUST PIPE ASSY 1	1	
2	4FM-24181-00-00	. DAMPER, LOCATING 1	2	
3	13S-8592A-00-00	SENSOR, OXYGEN	1	
4	13S-14753-10-00	SILENCER, EXHAUST	1	
5	2C0-14618-00-00	RING, STOPPER	1	
6	2C0-14725-00-00	BAND, MUFFLER	1	
7	2C0-14623-00-00	GASKET, EXHAUST PIPE	1	
8	91314-06030-00	BOLT	1	
9	13S-14718-00-00	PROTECTOR, MUFFLER 1	1	
10	90111-06099-00	BOLT ,HEX. SOCKET BUTTON	2	
11	90111-06071-00	BOLT, HEX. SOCKET BUTTON	1	
12	4FM-14613-00-00	GASKET, EXHAUST PIPE	4	
13	90179-08410-00	NUT	8	
14	2C0-85820-00-00	SERVO MOTOR ASSY	1	
15	13S-1133E-01-00	CABLE, PULLEY 1	1	
16	13S-1133F-01-00	CABLE, PULLEY 2	1	
17	2C0-2177F-00-00	COVER	1	
18	2C0-2116J-00-00	BRACKET 7	1	
19	95027-06025-00	BOLT, FLANGE	2	
20	90480-14005-00	GROMMET	2	

CONTINUED ON NEXT FRAME >

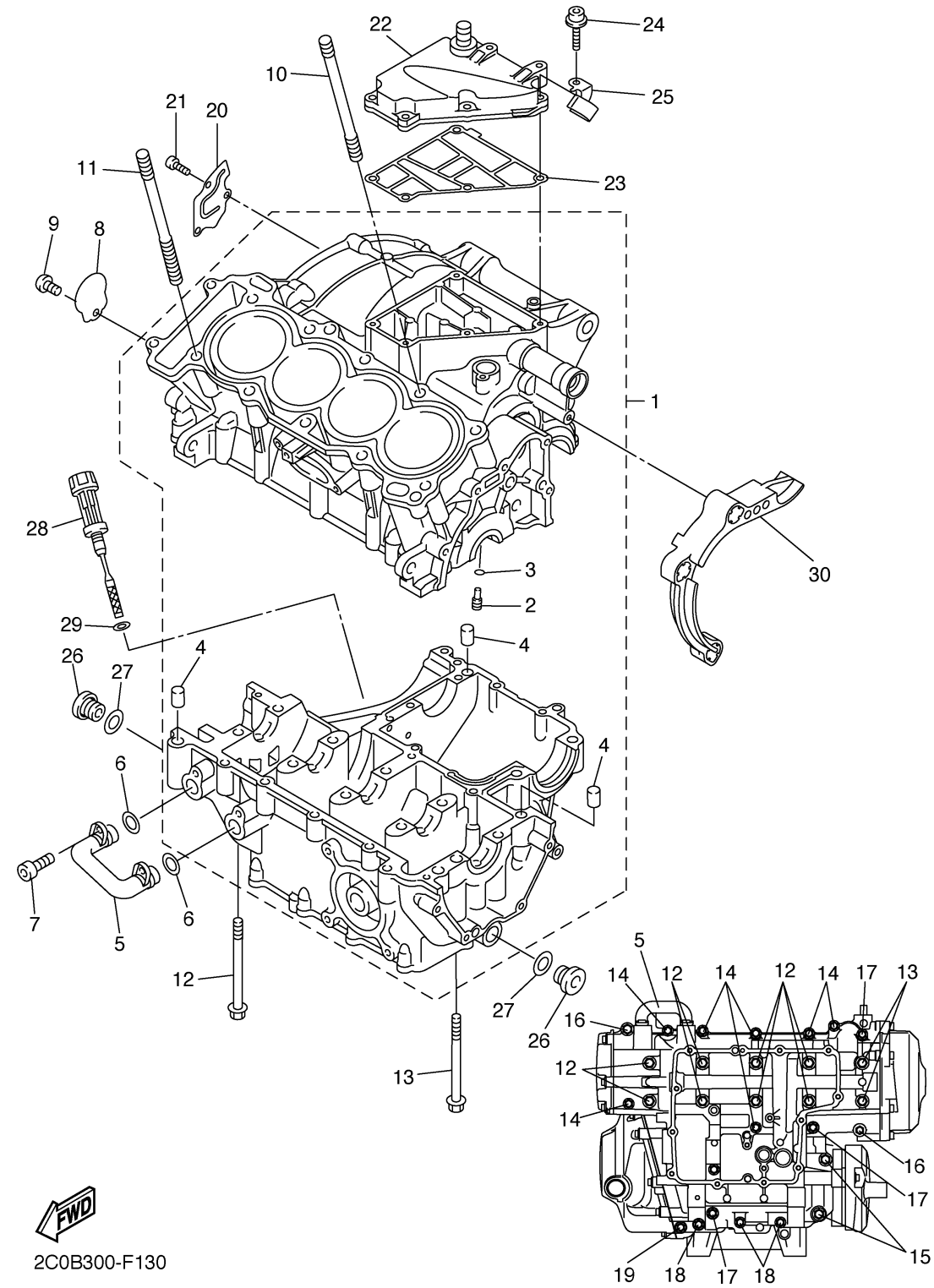
 13S1300-G120

EXHAUST



Ref No.	Part Number	Description	Qty	Remarks
21	90387-063E6-00	COLLAR	2	
22	95827-06014-00	BOLT, FLANGE	2	
23	90201-06M31-00	WASHER, PLATE	2	
24	91314-08035-00	BOLT	2	
25	90105-08063-00	BOLT, FLANGE	1	
26	90201-087G2-00	WASHER, PLATE	1	
27	90387-08021-00	COLLAR	1	
28	13S-21446-00-00	STAY, MUFFLER 2	1	
29	90105-08054-00	BOLT, FLANGE	1	
30	13S-21445-00-00	STAY, MUFFLER 1	1	
31	90105-08171-00	BOLT, FLANGE	1	

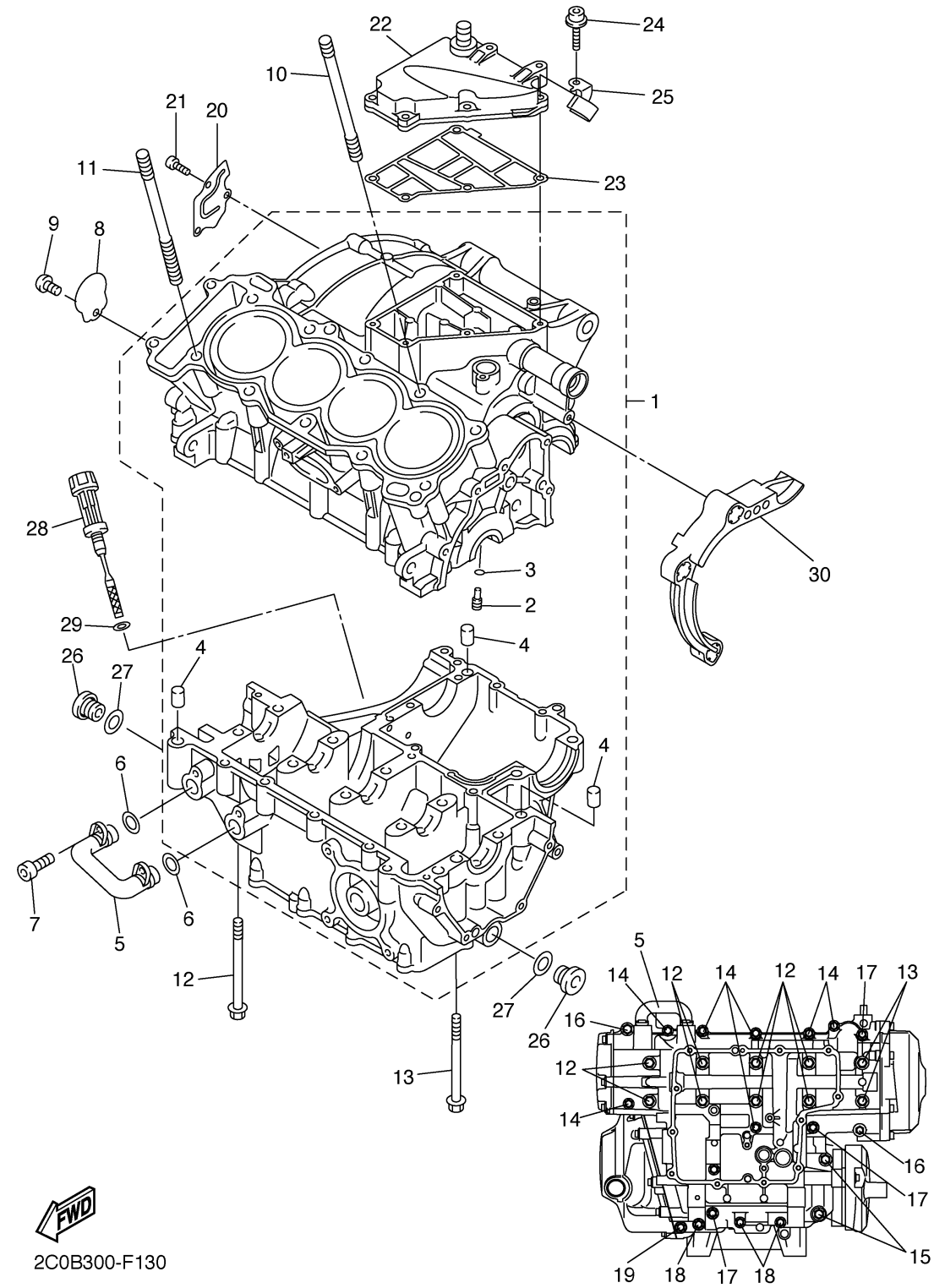
 13S1300-G120



CRANKCASE

Ref No.	Part Number	Description	Qty	Remarks
1	2C0-15100-01-00	CRANKCASE ASSY	1	
2	5EB-15155-00-00	. NOZZLE 3	4	
3	93210-04092-00	. O-RING	4	
4	99530-10014-00	. PIN, DOWEL	3	
5	5VX-13418-00-00	PIPE, OIL 2	1	
6	93210-14579-00	O-RING	2	
7	90110-06161-00	BOLT, HEXAGON SOCKET HEAD	2	
8	13S-15189-00-00	PLUG	1	
9	90149-06082-00	SCREW	1	
10	90116-10025-00	BOLT, STUD	1	
11	90116-10026-00	BOLT, STUD	9	
12	90119-08083-00	BOLT, WITH WASHER	8	
13	90119-08084-00	BOLT, WITH WASHER	2	
14	95812-06055-00	BOLT, FLANGE	7	
15	95812-08065-00	BOLT, FLANGE	2	
16	90109-06100-00	BOLT	2	
17	95812-06065-00	BOLT, FLANGE	3	
18	95812-06045-00	BOLT, FLANGE	3	
19	95812-06030-00	BOLT, FLANGE	1	
20	2C0-11165-00-00	PLATE, BREATHER	1	

CONTINUED ON NEXT FRAME >



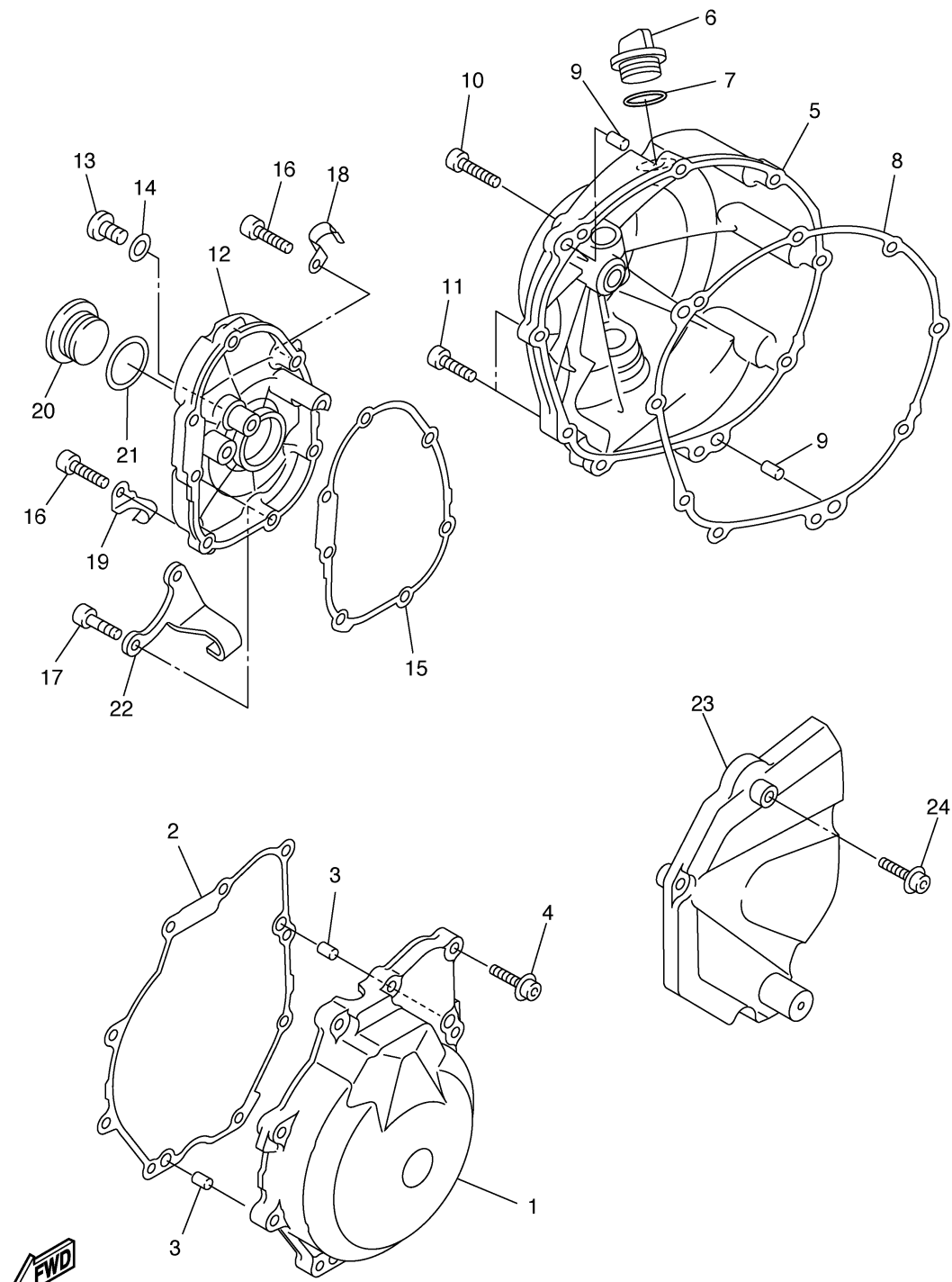
CRANKCASE

Ref No.	Part Number	Description	Qty	Remarks
21	90149-06082-00	SCREW	3	
22	2C0-15413-01-00	COVER	1	
23	2C0-15462-01-00	GASKET, CRANKCASE COVER 3	1	
24	90109-06015-00	BOLT	5	
25	2C0-24136-10-00	CLAMP 2	1	
25	2C0-24136-00-00	CLAMP 2	1	
26	36Y-15189-00-00	PLUG	2	
27	93210-16325-00	O-RING	2	
28	2C0-15362-00-00	PLUG, OIL LEVEL	1	
29	93210-09165-00	O-RING	1	
30	2C0-15377-00-00	GUIDE, INLET	1	

CRANKCASE COVER 1

Ref No.	Part Number	Description	Qty	Remarks
1	2C0-15411-01-00	COVER, CRANKCASE 1	1	
2	2C0-15451-01-00	GASKET, CRANKCASE COVER 1	1	
3	99530-08012-00	PIN, DOWEL	2	
4	90109-06015-00	BOLT	9	
5	2C0-15421-00-00	COVER, CRANKCASE 2	1	
6	3F9-15362-00-00	PLUG, OIL LEVEL	1	
7	93210-27194-00	O-RING	1	
8	2C0-15461-01-00	GASKET, CRANKCASE COVER 2	1	
9	93608-17263-00	PIN, DOWEL	2	
10	90109-06031-00	BOLT	7	
11	90110-06156-00	BOLT, HEXAGON SOCKET HEAD	2	
12	2C0-15416-00-00	COVER, OIL PUMP	1	
13	92014-08014-00	BOLT, BUTTON HEAD	1	
14	90430-08143-00	.GASKET	1	
15	2C0-15456-01-00	GASKET, OIL PUMP COVER 1	1	
16	90110-06303-00	BOLT, HEXAGON SOCKET HEAD	5	
17	90109-06015-00	BOLT	2	
18	90465-08395-00	CLAMP	1	
19	2C0-21823-00-00	CLAMP, HOSE	1	
20	90340-32004-00	PLUG, STRAIGHT SCREW	1	

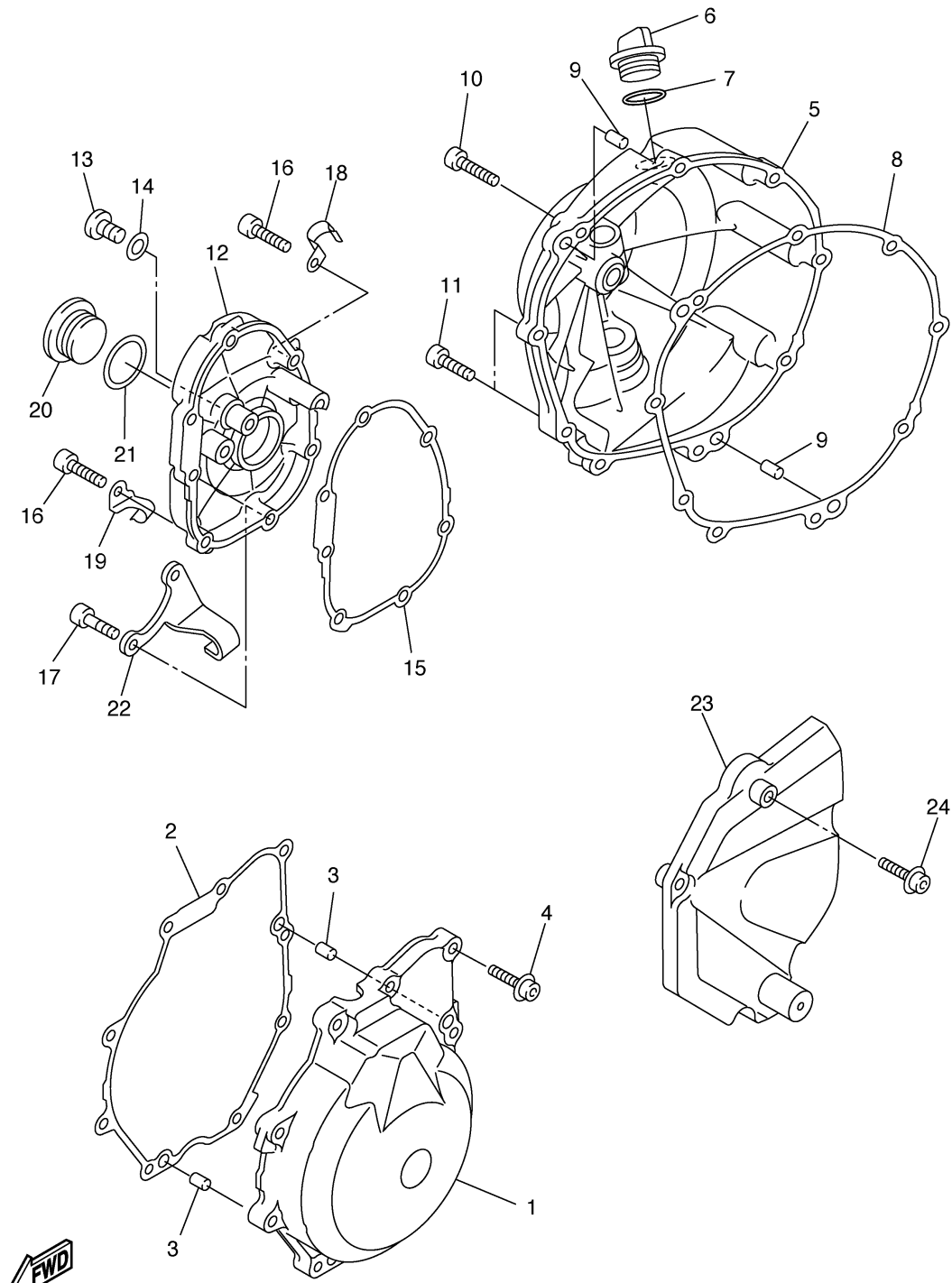
CONTINUED ON NEXT FRAME >



2C01300-E140

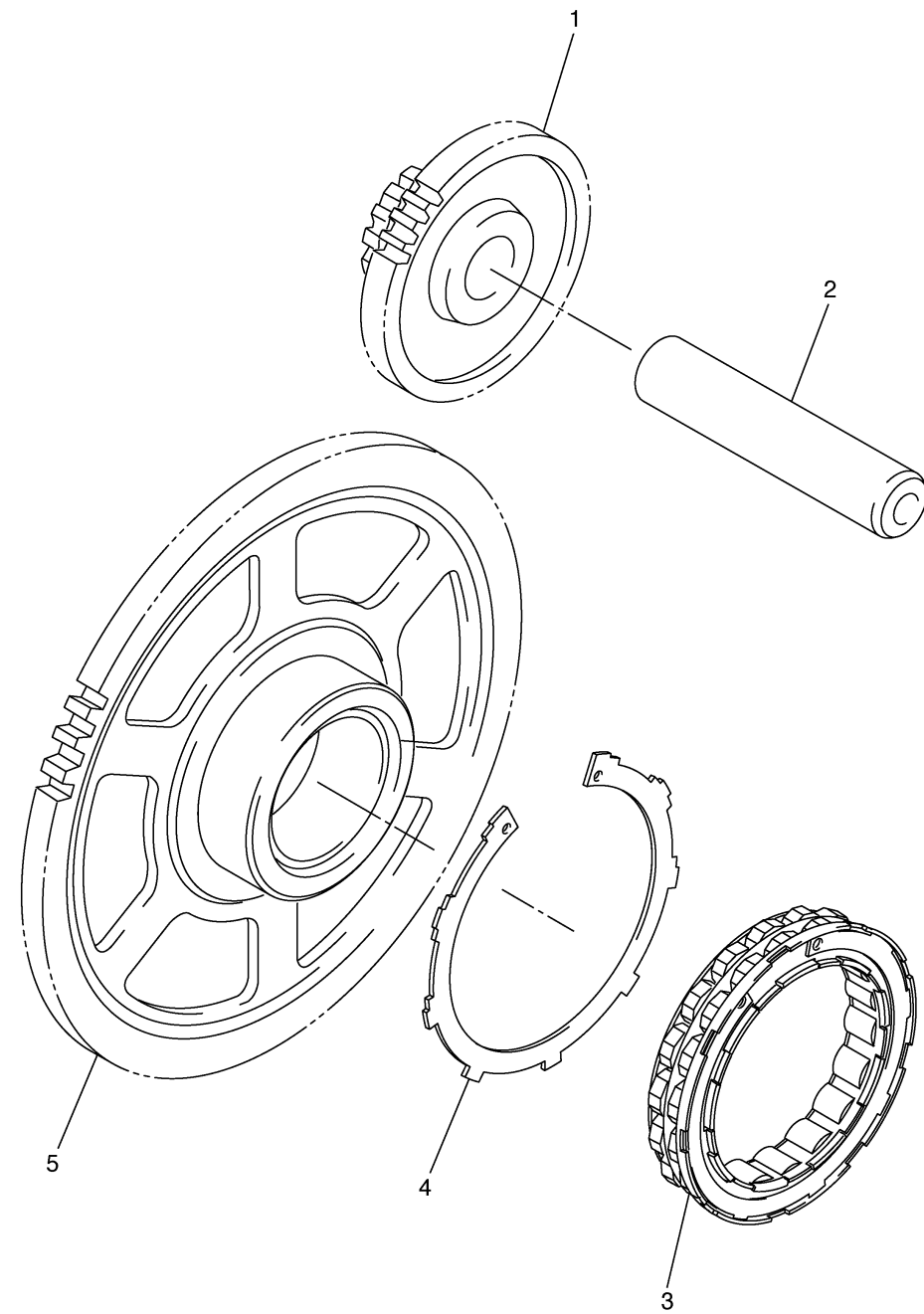
CRANKCASE COVER 1

Ref No.	Part Number	Description	Qty	Remarks
21	93210-32172-00	O-RING	1	
22	2C0-15441-00-00	HOLDER, CLUTCH CABLE	1	
23	2C0-15418-00-00	COVER, CHAIN CASE	1	
24	90110-06060-00	BOLT, HEXAGON SOCKET HEAD	3	



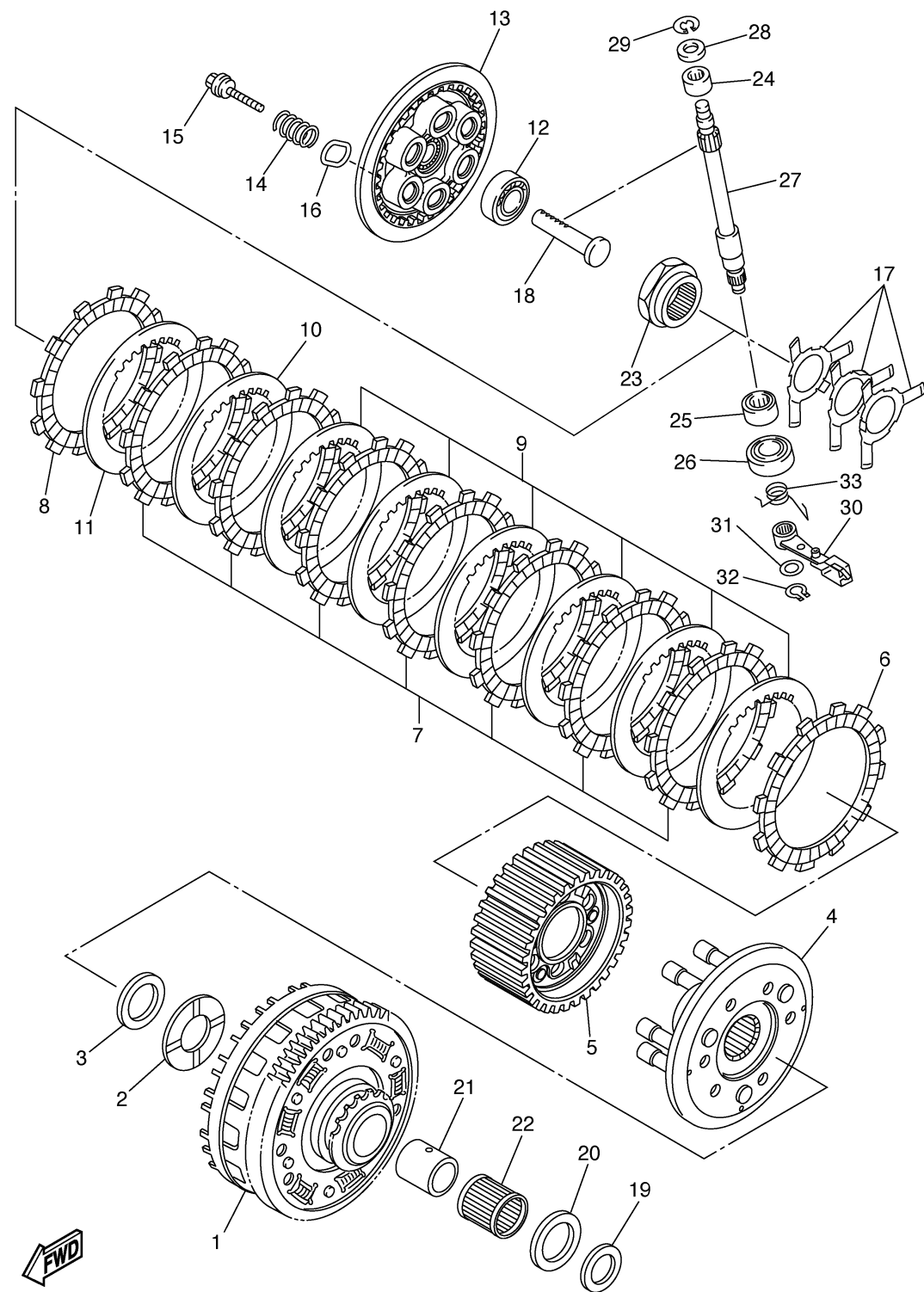
2C01300-E140

STARTER



Ref No.	Part Number	Description	Qty	Remarks
1	2C0-15512-00-00	GEAR, IDLER 1	1	
2	5MT-15521-00-00	SHAFT 1	1	
3	2C0-15580-00-00	STARTER CLUTCH OUTER ASSY	1	
4	2C0-15536-00-00	CLIP, STARTER	1	
5	2C0-15515-00-00	GEAR 3	1	


2C01300-E150

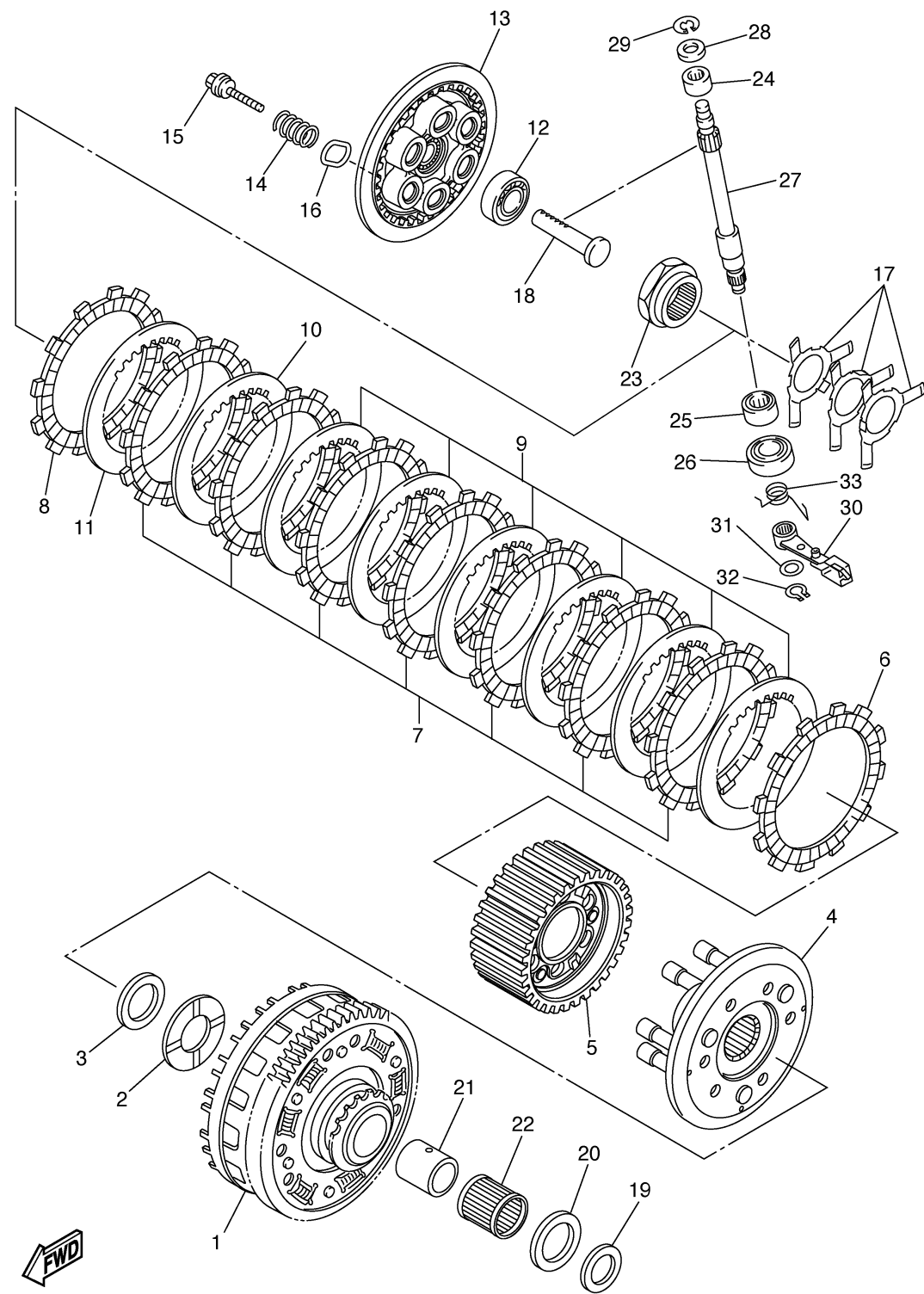


2C01300-E160

CLUTCH

Ref No.	Part Number	Description	Qty	Remarks
1	2C0-16150-00-00	PRIMARY DRIVEN GEAR COMP.	1	
2	2C0-16154-00-00	PLATE, THRUST 1	1	
3	90208-25002-00	WASHER, CONICAL SPRING	1	
4	2C0-16360-00-00	PRESSURE PLATE ASSY 2	1	
5	2C0-16370-00-00	CLUTCH BOSS ASSY	1	
6	5SL-16321-00-00	PLATE, FRICTION	1	
7	5LV-16321-20-00	PLATE, FRICTION	7	
8	4FN-16321-00-00	PLATE, FRICTION	1	
9	3J2-16324-00-00	PLATE, CLUTCH 1 (T=2.0)	6	
10	168-16324-00-00	PLATE, CLUTCH 1 (T=2.3)	1	UR
10	3J2-16324-00-00	PLATE, CLUTCH 1 (T=2.0)	1	UR
11	168-16324-00-00	PLATE, CLUTCH 1 (T=2.3)	1	UR
11	3J2-16324-00-00	PLATE, CLUTCH 1 (T=2.0)	1	UR
11	168-16325-00-00	PLATE, CLUTCH 2 (T=1.6)	1	UR
12	93306-00106-00	BEARING	1	
13	2C0-16351-00-00	PLATE, PRESSURE 1	1	
14	90501-220A2-00	SPRING, COMPRESSION	6	
15	90159-06024-00	SCREW, WITH WASHER	6	
16	2C0-16384-00-00	PLATE, SEAT	6	
17	13S-16539-00-00	SPRING	3	

CONTINUED ON NEXT FRAME >

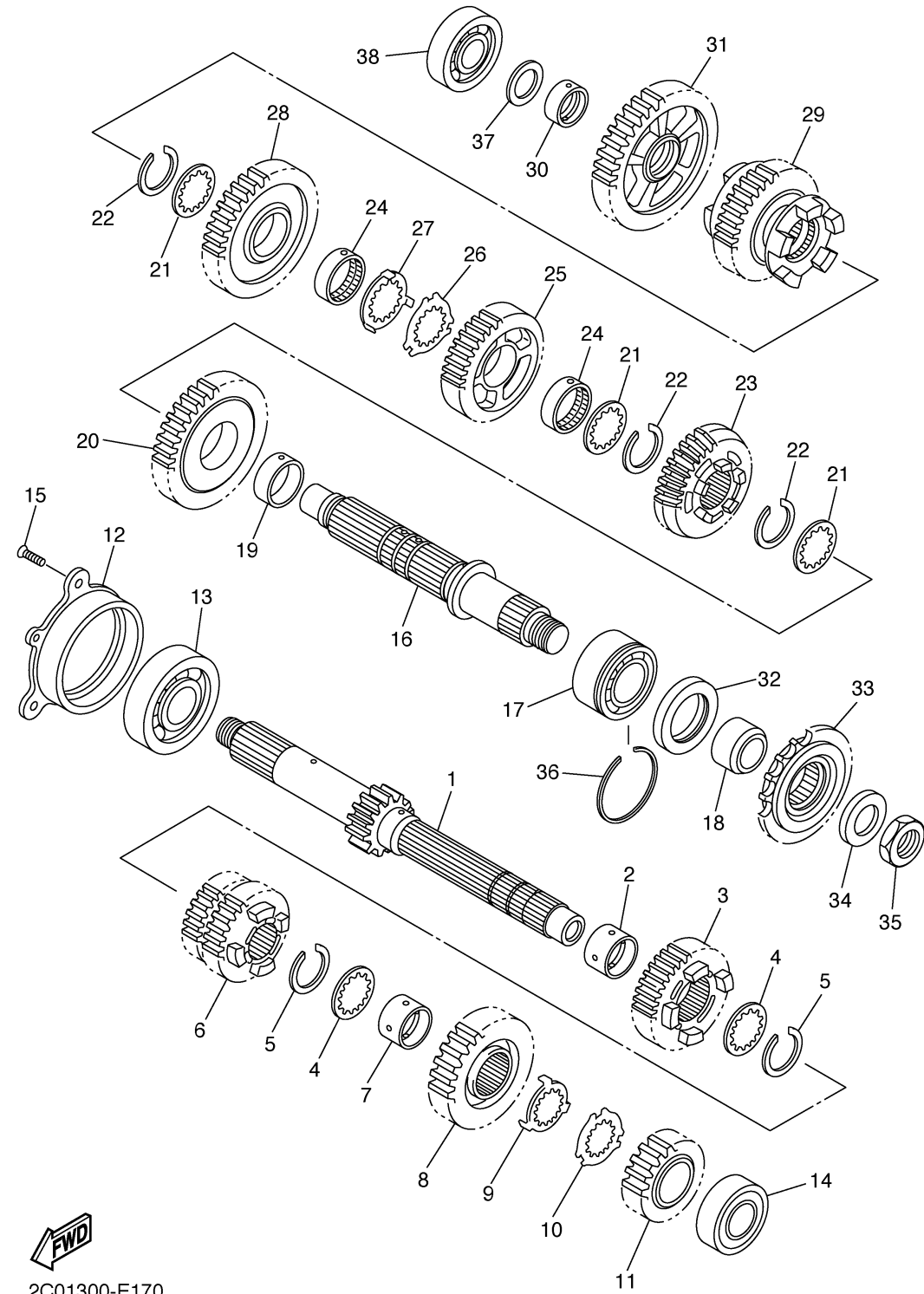


2C01300-E160

CLUTCH

Ref No.	Part Number	Description	Qty	Remarks
18	2C0-16356-00-00	ROD, PUSH 1	1	
19	2C0-16164-00-00	PLATE, THRUST 2	1	
20	1AE-16164-00-00	PLATE, THRUST 2	1	
21	2C0-16181-00-00	SPACER 1	1	
22	93310-340N8-00	BEARING	1	
23	2C0-16377-00-00	NUT, LOCK	1	
24	93317-11096-00	BEARING	1	
25	93315-21570-00	BEARING	1	
26	93102-15212-00	.OIL SEAL	1	
27	2C0-16382-00-00	AXLE, PUSH LEVER	1	
28	92907-08600-00	WASHER, PLATE	1	
29	99001-07600-00	CIRCLIP	1	
30	2C0-16340-00-00	PUSH LEVER ASSY	1	
31	90201-10029-00	WASHER, PLATE	1	
32	99009-10400-00	CIRCLIP	1	
33	90508-16052-00	SPRING, TORSION	1	

TRANSMISSION

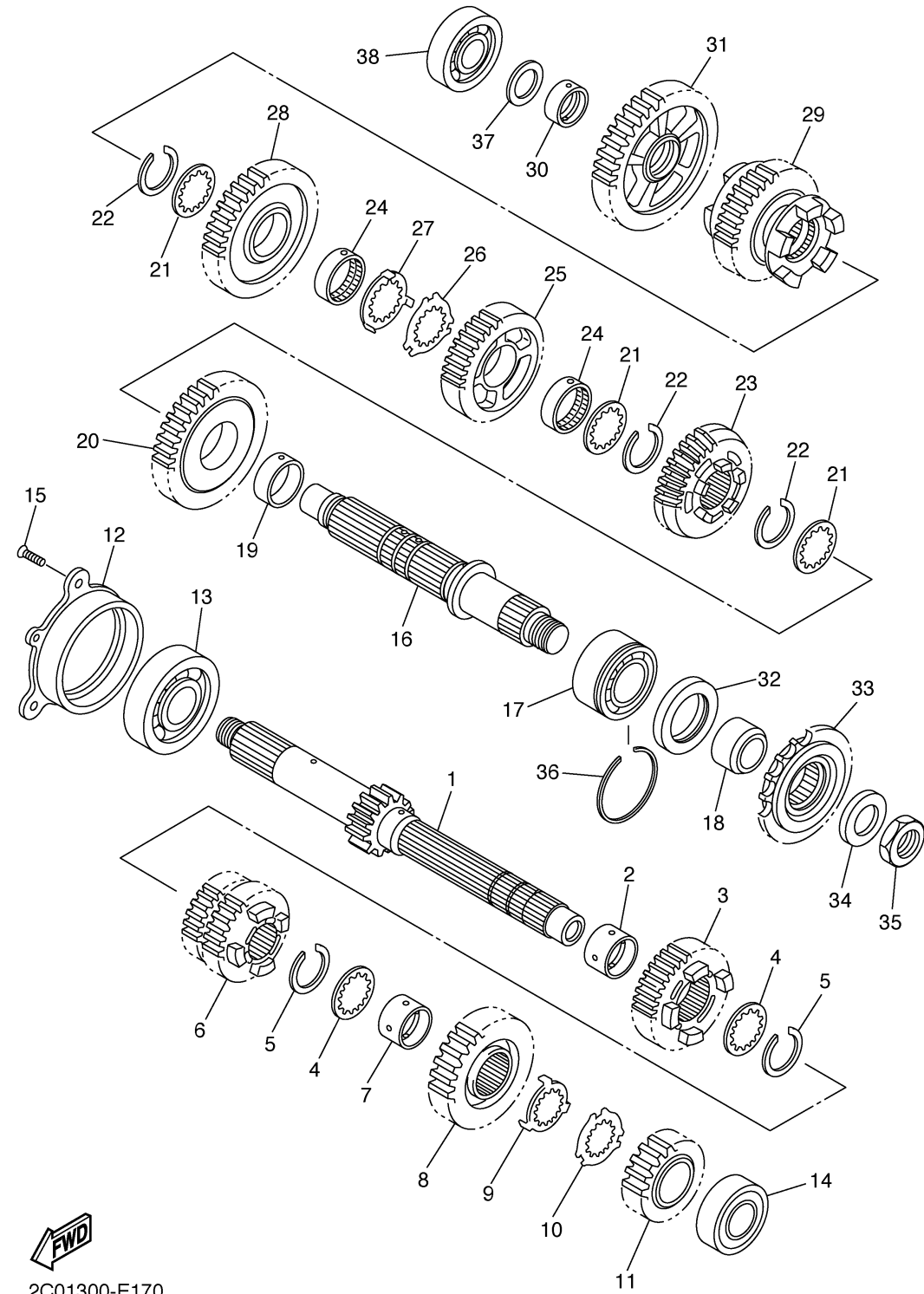


2C01300-E170

Ref No.	Part Number	Description	Qty	Remarks
1	2C0-17411-00-00	AXLE, MAIN (12T)	1	
2	90387-250R3-00	COLLAR	1	
3	13S-17151-00-00	GEAR, 5TH PINION (21T)	1	
4	90209-21332-00	WASHER	2	
5	93440-25186-00	CIRCLIP	2	
6	13S-17131-00-00	GEAR, 3RD PINION (18T/18T)	1	
7	90387-21003-00	COLLAR	1	
8	2C0-17161-00-00	GEAR, 6TH PINION (20T)	1	
9	90209-22352-00	WASHER	1	
10	90209-21351-00	WASHER	1	
11	13S-17121-00-00	GEAR, 2ND PINION (16T)	1	
12	2C0-15163-00-00	HOUSING, BEARING 1	1	
13	93306-20562-00	BEARING	1	
14	93306-20464-00	BEARING	1	
15	90151-06024-00	SCREW, COUNTERSUNK	3	
16	2C0-17421-00-00	AXLE, DRIVE	1	
17	93305-20509-00	BEARING	1	
18	90387-25016-00	COLLAR	1	
19	90387-28011-00	COLLAR	1	
20	13S-17221-00-00	GEAR, 2ND WHEEL (32T)	1	

CONTINUED ON NEXT FRAME >

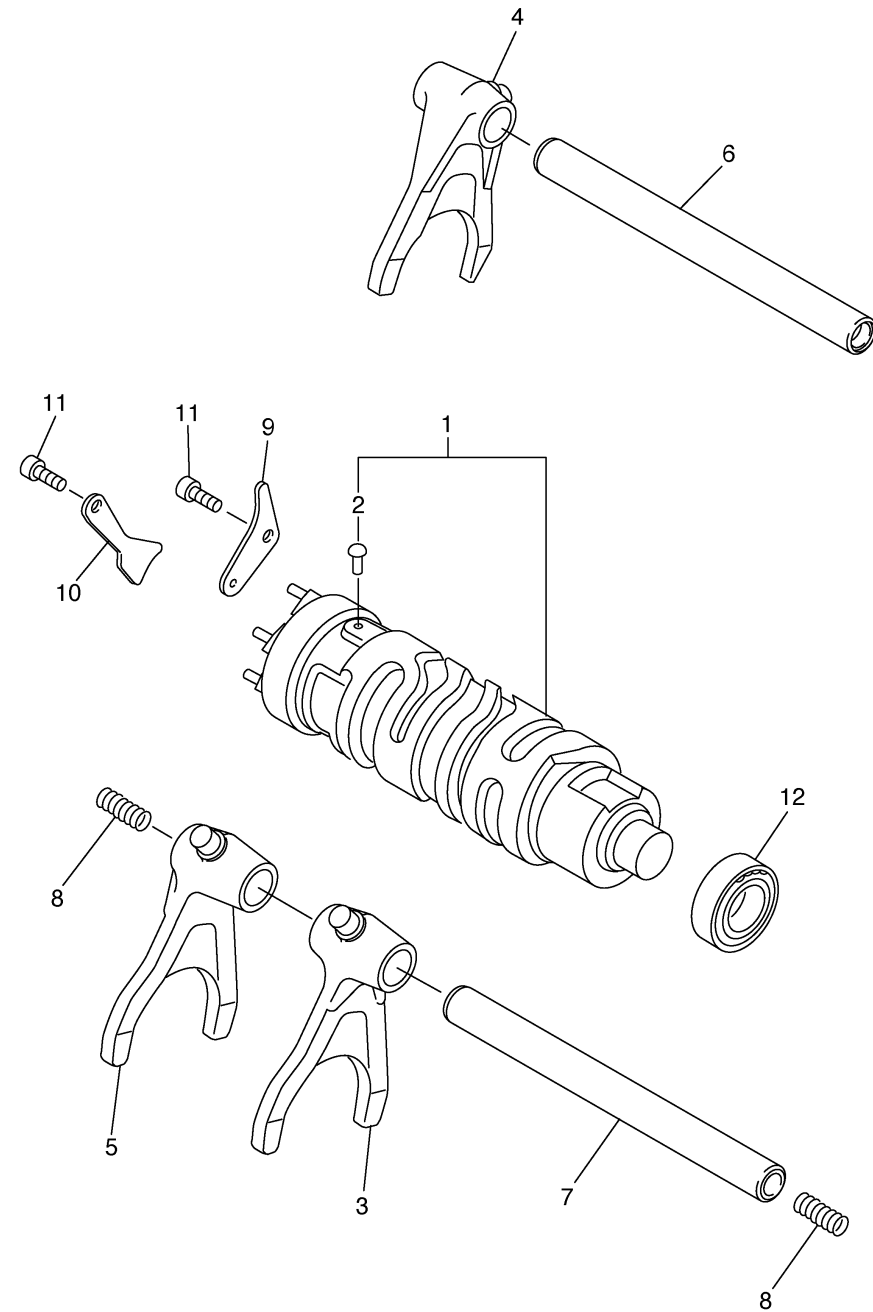
TRANSMISSION



2C01300-E170

Ref No.	Part Number	Description	Qty	Remarks
21	90209-25011-00	WASHER	3	
22	93440-28184-00	CIRCLIP	3	
23	2C0-17261-00-00	GEAR, 6TH WHEEL (23T)	1	
24	90387-25015-00	COLLAR	2	
25	2C0-17241-00-00	GEAR, 4TH WHEEL (26T)	1	
26	90214-25004-00	WASHER, CLAW	1	
27	90214-25003-00	WASHER, CLAW	1	
28	2C0-17231-00-00	GEAR, 3RD WHEEL (30T)	1	
29	13S-17251-00-00	GEAR, 5TH WHEEL (27T)	1	
30	90387-21004-00	COLLAR	1	
31	2C0-17211-00-00	GEAR, 1ST WHEEL (31T)	1	
32	93102-35017-00	OIL SEAL	1	
33	2C0-17460-00-00	SPROCKET, DRIVE (16T)	1	
34	90201-20023-00	WASHER, PLATE	1	
35	90179-20011-00	NUT	1	
36	93440-52014-00	CIRCLIP	1	
37	90201-20278-00	WASHER, PLATE	1	
38	93306-20464-00	BEARING	1	

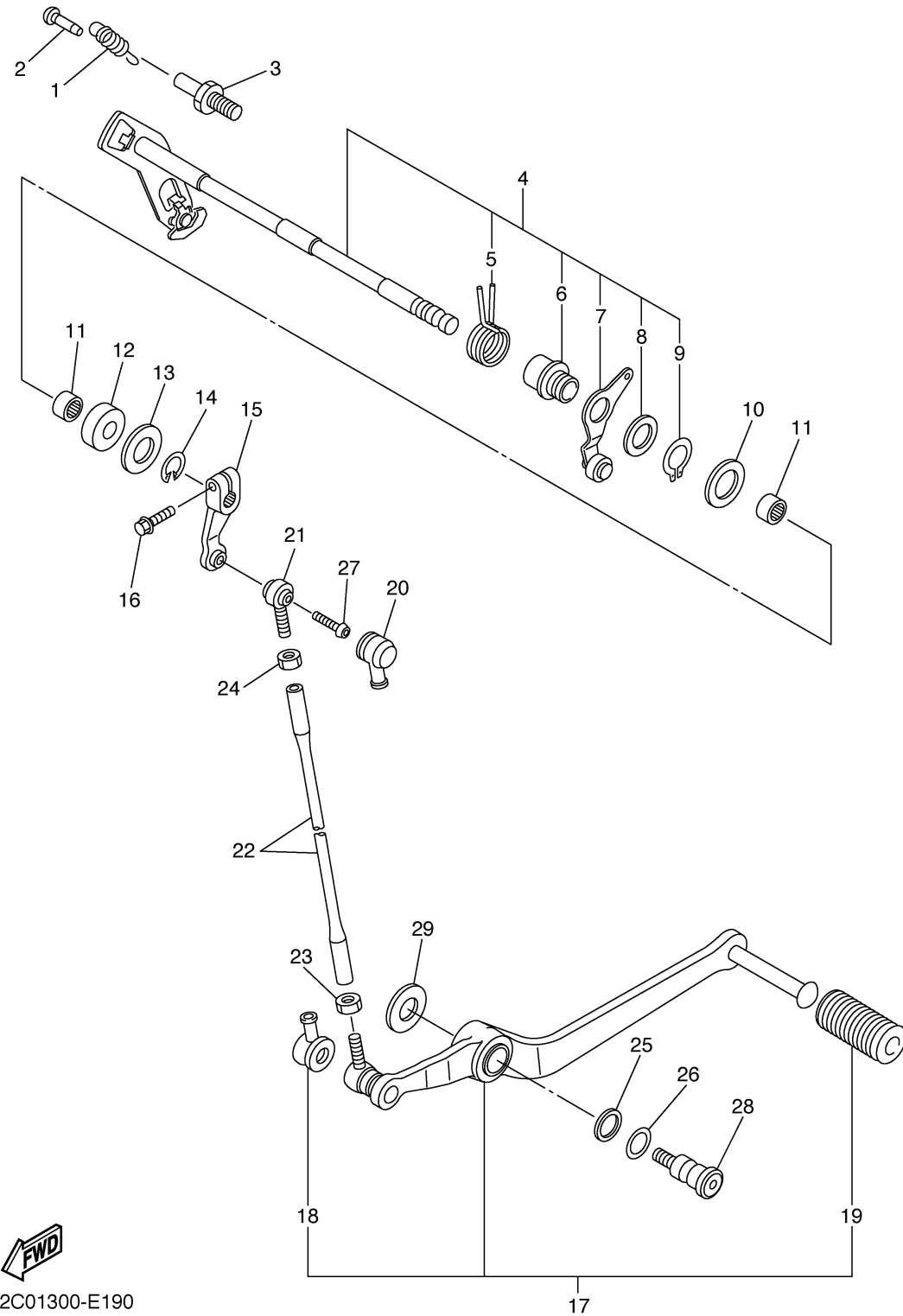
SHIFT CAM FORK



Ref No.	Part Number	Description	Qty	Remarks
1	2C0-18540-00-00	SHIFT CAM ASSY	1	
2	136-18542-00-00	..POINT, NEUTRAL	1	
3	2C0-18511-00-00	FORK, SHIFT 1	1	
4	2C0-18512-00-00	FORK, SHIFT 2	1	
5	2C0-18513-00-00	FORK, SHIFT 3	1	
6	2C0-18531-00-00	BAR, SHIFT FORK GUIDE 1	1	
7	2C0-18535-00-00	BAR, SHIFT FORK GUIDE 2	1	
8	90501-080A2-00	SPRING, COMPRESSION	2	
9	2C0-18536-00-00	STOPPER, SHIFT BAR	1	
10	2C0-18562-00-00	PLATE, STOPPER 2	1	
11	90110-06182-00	BOLT, HEXAGON SOCKET HEAD	2	
12	93306-00106-00	BEARING	1	


2C01300-E180

SHIFT SHAFT

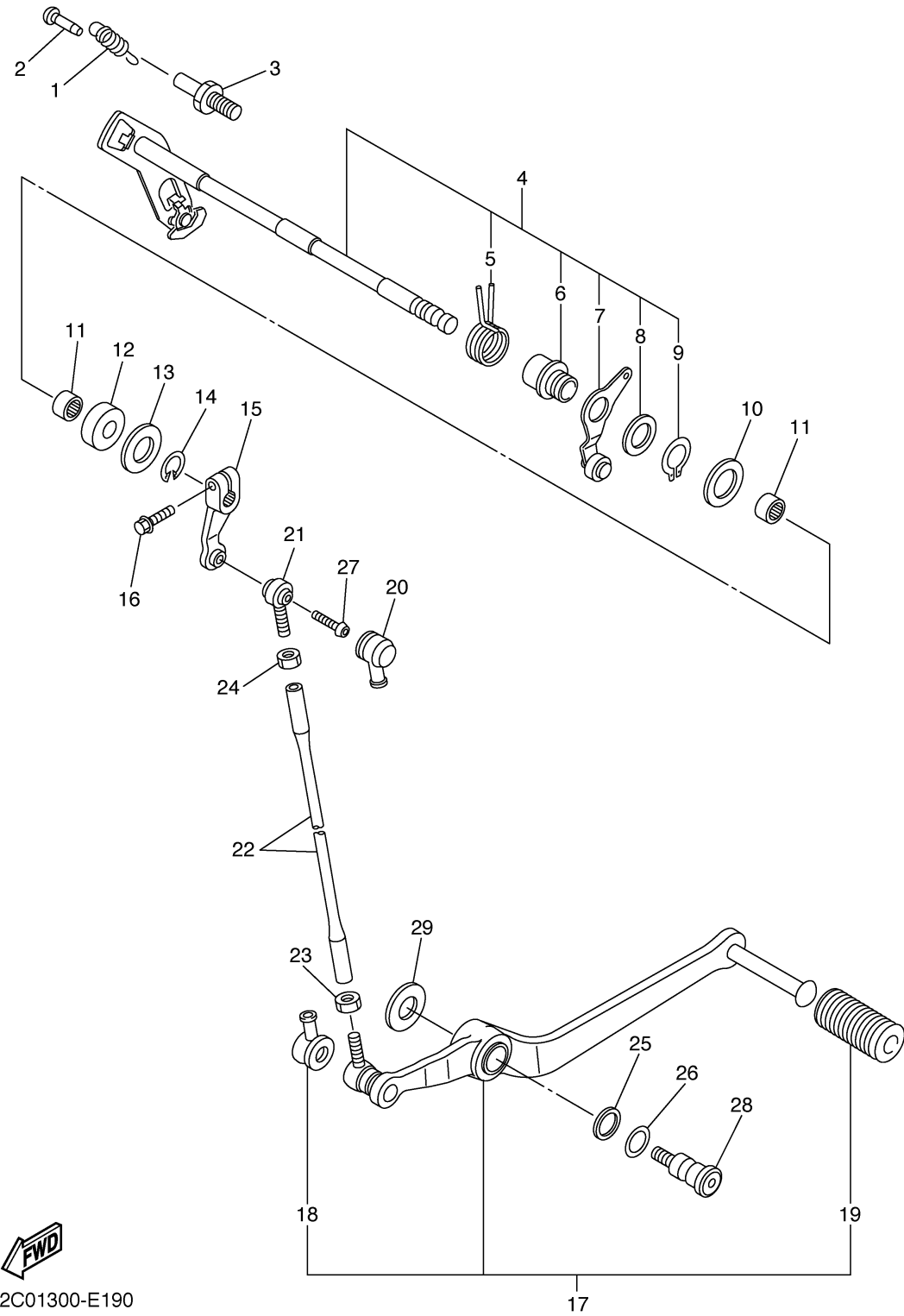


Ref No.	Part Number	Description	Qty	Remarks
1	2C0-18144-00-00	HANGER, SPRING	1	
2	132-16346-00-00	HOOK, SPRING	1	
3	1D7-18127-00-00	STOPPER, SCREW	1	
4	2C0-18101-00-00	SHIFT SHAFT ASSY	1	
5	90508-32020-00	. SPRING, TORSION	1	
6	2C0-18175-00-00	. SPACER	1	
7	2C0-18140-00-00	. STOPPER LEVER ASSY	1	
8	90201-177G4-00	. WASHER, PLATE	1	
9	99009-17400-00	. CIRCLIP	1	
10	90201-127E1-00	WASHER, PLATE	1	
11	93317-11295-00	BEARING	2	
12	93102-12106-00	OIL SEAL (SD 12-22-5 HS)	1	
13	90201-12575-00	WASHER, PLATE	1	
14	99001-10600-00	CIRCLIP	1	
15	5PW-18112-00-00	ARM, SHIFT	1	
16	95822-06020-00	BOLT, FLANGE	1	
17	2C0-18110-01-00	SHIFT PEDAL ASSY	1	
18	2H9-18154-00-00	. COVER, DUST	1	
19	5EB-18113-00-00	. COVER, SHIFT PEDAL	1	
20	4XV-18154-00-00	COVER, DUST	1	

CONTINUED ON NEXT FRAME >

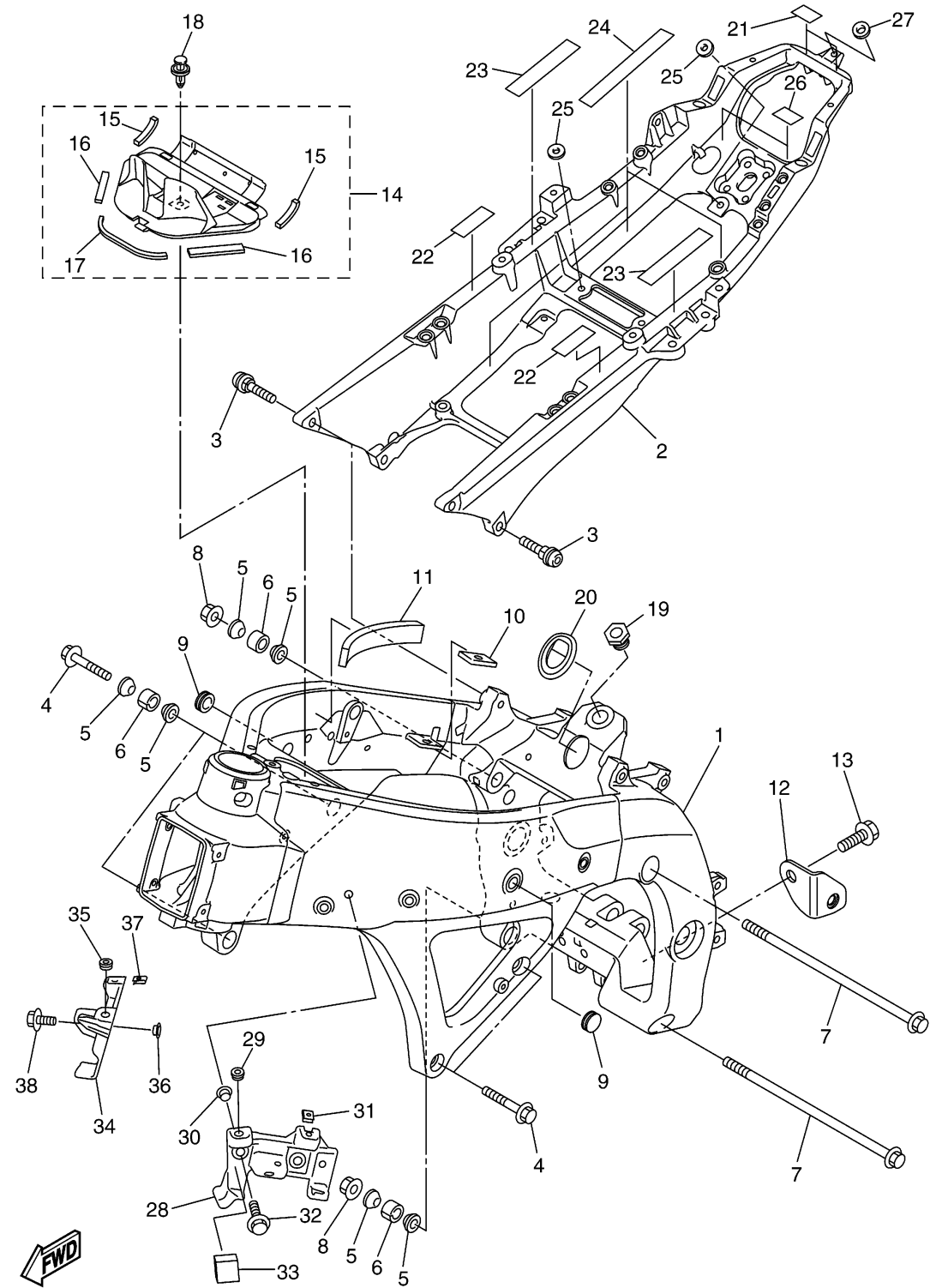

2C01300-E190

SHIFT SHAFT



Ref No.	Part Number	Description	Qty	Remarks
21	5LV-18116-00-00	JOINT, ROD 1	1	
22	2C0-18115-00-00	ROD, SHIFT	1	
23	90170-08358-00	NUT	1	
24	95304-06700-00	NUT	1	
25	90201-12013-00	WASHER, PLATE	1	
26	90206-12074-00	WASHER, WAVE	1	
27	90111-06019-00	BOLT, HEX. SOCKET BUTTON	1	
28	4BP-27434-01-00	BOLT	1	
29	90201-08784-00	WASHER, PLATE	1	

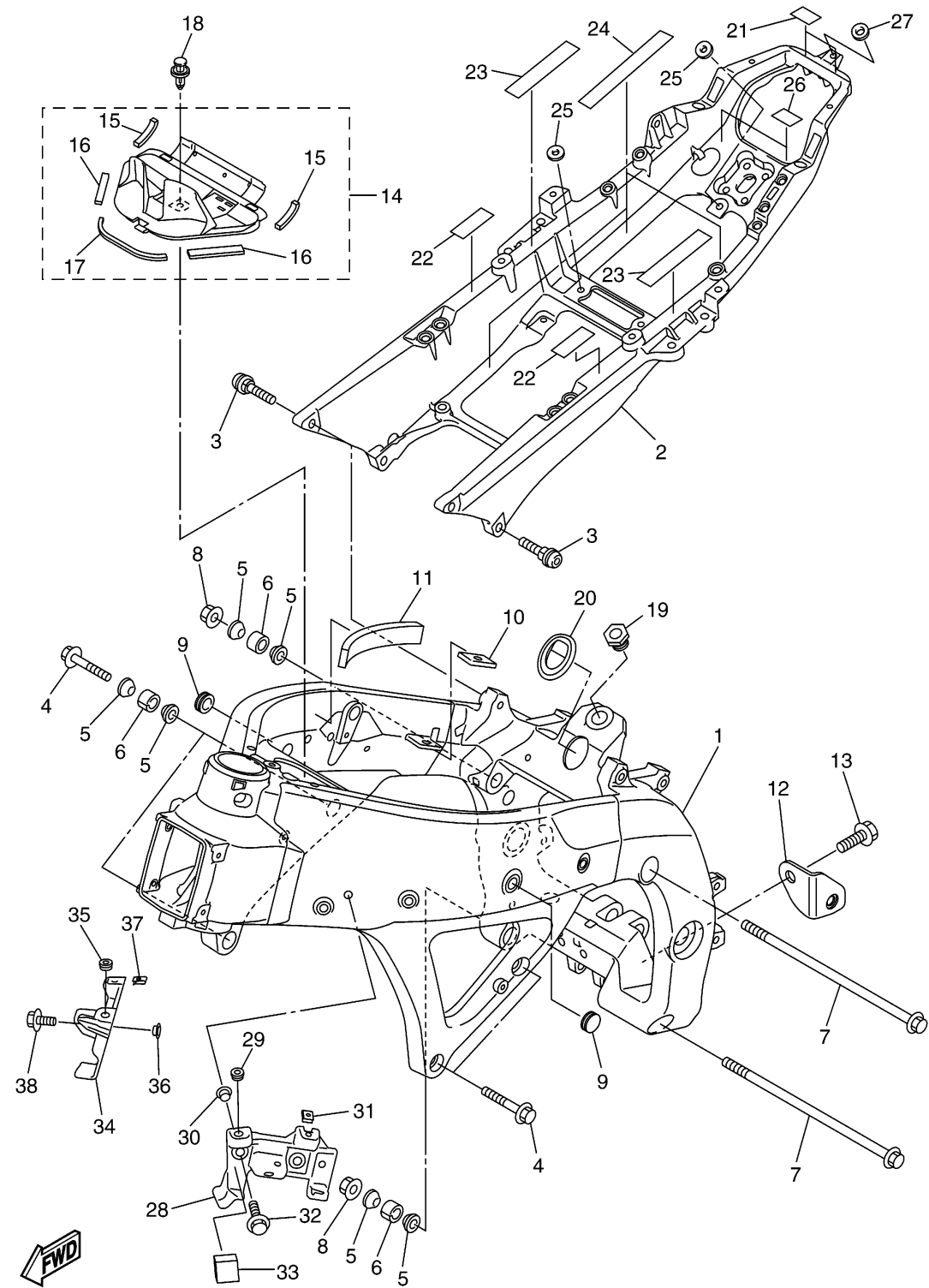
FRAME



13S7110-G200

Ref No.	Part Number	Description	Qty	Remarks
1	13S-21110-00-00	FRAME COMP.	1	
2	13S-21190-00-00	REAR FRAME COMP.	1	
3	13S-2585H-00-00	SCREW, SET	4	
4	95024-10040-00	BOLT, FLANGE	4	
5	13S-21414-00-00	BOSS, ENGINE MOUNT	8	
6	13S-21424-00-00	BOSS, ENGINE MOUNT	4	
7	90105-12228-00	BOLT, FLANGE	2	
8	90179-12248-00	NUT	2	
9	90338-15004-00	PLUG	2	
10	2C0-24182-00-00	DAMPER, LOCATING 2	2	
11	2C0-21486-00-00	DAMPER 2	2	
12	13S-21435-00-00	BRACKET, MUFFLER 1	1	
13	90105-08171-00	BOLT, FLANGE	1	
14	13S-2110M-00-00	COVER ASSY 1	1	
15	13S-2174X-00-00	. DAMPER	2	
16	2C0-2174Y-00-00	. DAMPER	2	
17	2C0-21746-00-00	. DAMPER	1	
18	90269-07010-00	RIVET	1	
19	2C0-22241-00-00	BOLT 1	1	
20	2C0-21279-00-00	PLUG, BLIND	1	

CONTINUED ON NEXT FRAME >



13S7110-G200

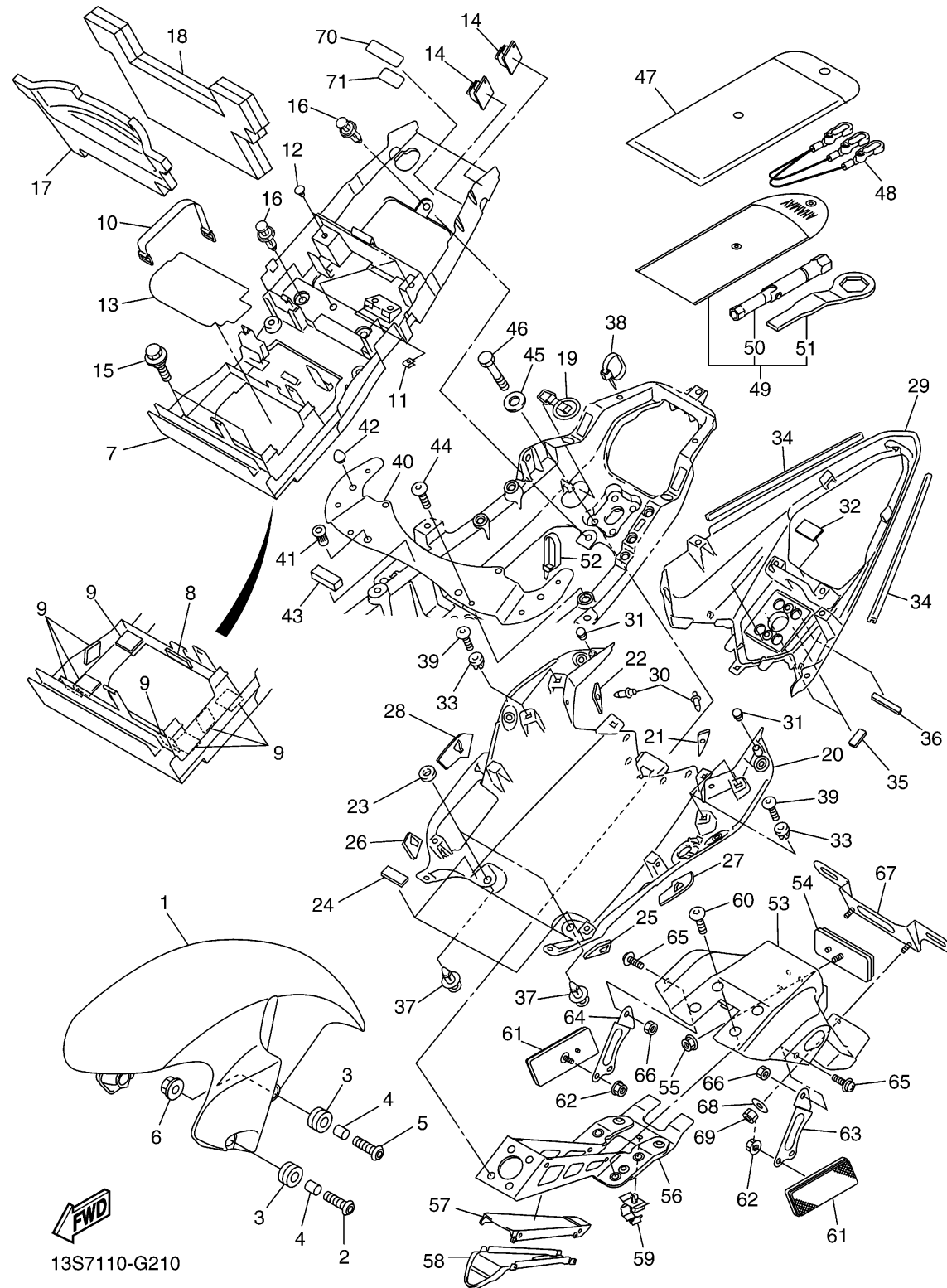
FRAME

Ref No.	Part Number	Description	Qty	Remarks
21	2C0-21566-00-00	TAPE, 1	2	
22	2C0-21567-00-00	TAPE, 2	2	
23	13S-21566-00-00	TAPE, 1	2	
24	13S-21567-00-00	TAPE, 2	4	
25	13S-2111D-00-00	SEAL 1	3	
26	2C0-21566-00-00	TAPE, 1	2	
27	13S-21746-00-00	DAMPER	1	
28	13S-2833A-00-00	BRACKET 7	1	
29	90480-10003-00	GROMMET	1	
30	90387-06048-00	COLLAR	2	
31	90183-05076-00	NUT, SPRING	1	
32	95802-06020-00	BOLT, FLANGE	2	
33	13S-12679-00-00	DAMPER, SHROUD 6	1	
34	13S-2833E-00-00	BRACKET 8	1	
35	90480-10003-00	GROMMET	1	
36	90387-06048-00	COLLAR	2	
37	90183-05076-00	NUT, SPRING	1	
38	95802-06020-00	BOLT, FLANGE	2	

FENDER

Ref No.	Part Number	Description	Qty	Remarks
1	2C0-21511-00-P0	FENDER, FRONT	1	UR FOR DPBMC
1	2C0-21511-00-P2	FENDER, FRONT	1	UR FOR SMX
1	2C0-21511-00-P6	FENDER, FRONT	1	UR FOR S3
2	90111-06043-00	BOLT, HEX. SOCKET BUTTON	2	
3	90480-14003-00	GROMMET	4	
4	90387-06057-00	COLLAR	4	
5	90111-06030-00	BOLT, HEX. SOCKET BUTTON	2	
6	95702-06500-00	NUT, WITH WASHER	2	
7	13S-8212B-00-00	BOX, BATTERY 1	1	
8	51Y-21639-00-00	DAMPER 2	1	
9	13S-21649-00-00	DAMPER	8	
10	133-82131-00-00	BAND, BATTERY	1	
11	90183-04039-00	NUT, SPRING	2	
12	90338-06018-00	PLUG	3	
13	13S-821A1-00-00	SEAT BTRY. ASSY 1	1	
14	90464-13004-00	CLAMP	2	
15	90109-06171-00	BOLT	2	
16	90269-07010-00	RIVET	3	
17	13S-21652-00-00	PROTECTOR	1	
18	13S-24140-00-00	DAMPER PLATE ASSY	1	

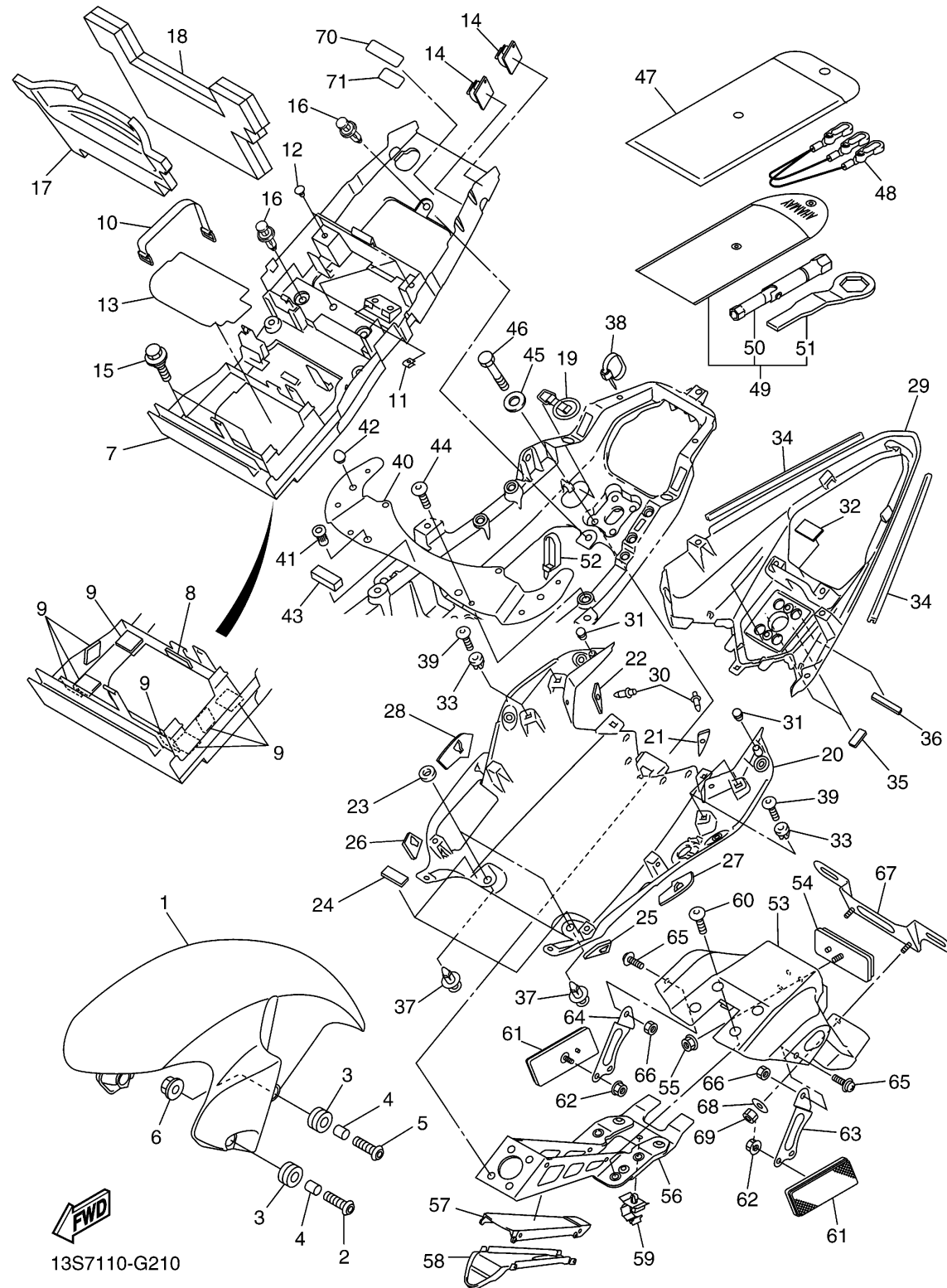
CONTINUED ON NEXT FRAME >



FENDER

Ref No.	Part Number	Description	Qty	Remarks
19	13S-21376-00-00	BAND, TOOL	1	
20	13S-21611-00-P0	FENDER, REAR	1	UR FOR DPBMC
20	13S-21611-00-P3	FENDER, REAR	1	UR FOR SMX
20	13S-21611-00-P4	FENDER, REAR	1	UR FOR S3
21	13S-2172P-00-00	SEAT	1	
22	13S-2173P-00-00	SEAT	1	
23	13S-21735-00-00	SEAL 2	2	
24	4D9-21717-00-00	DAMPER	2	
25	13S-21669-00-00	SEAL	1	
26	13S-216A2-00-00	SEAL, 2	1	
27	13S-216A3-00-00	SEAL, 3	1	
28	13S-216A4-00-00	SEAL, 4	1	
29	13S-2162R-00-P2	FENDER 2	1	UR FOR DPBMC
29	13S-2162R-00-P3	FENDER 2	1	UR FOR SMX
29	13S-2162R-00-P4	FENDER 2	1	UR FOR S3
30	90269-06001-00	RIVET	2	
31	90338-06018-00	PLUG	2	
32	5GM-27445-00-00	PLATE 1	1	
33	90480-08005-00	GROMMET	4	
34	13S-21732-00-00	SEAL 1	2	

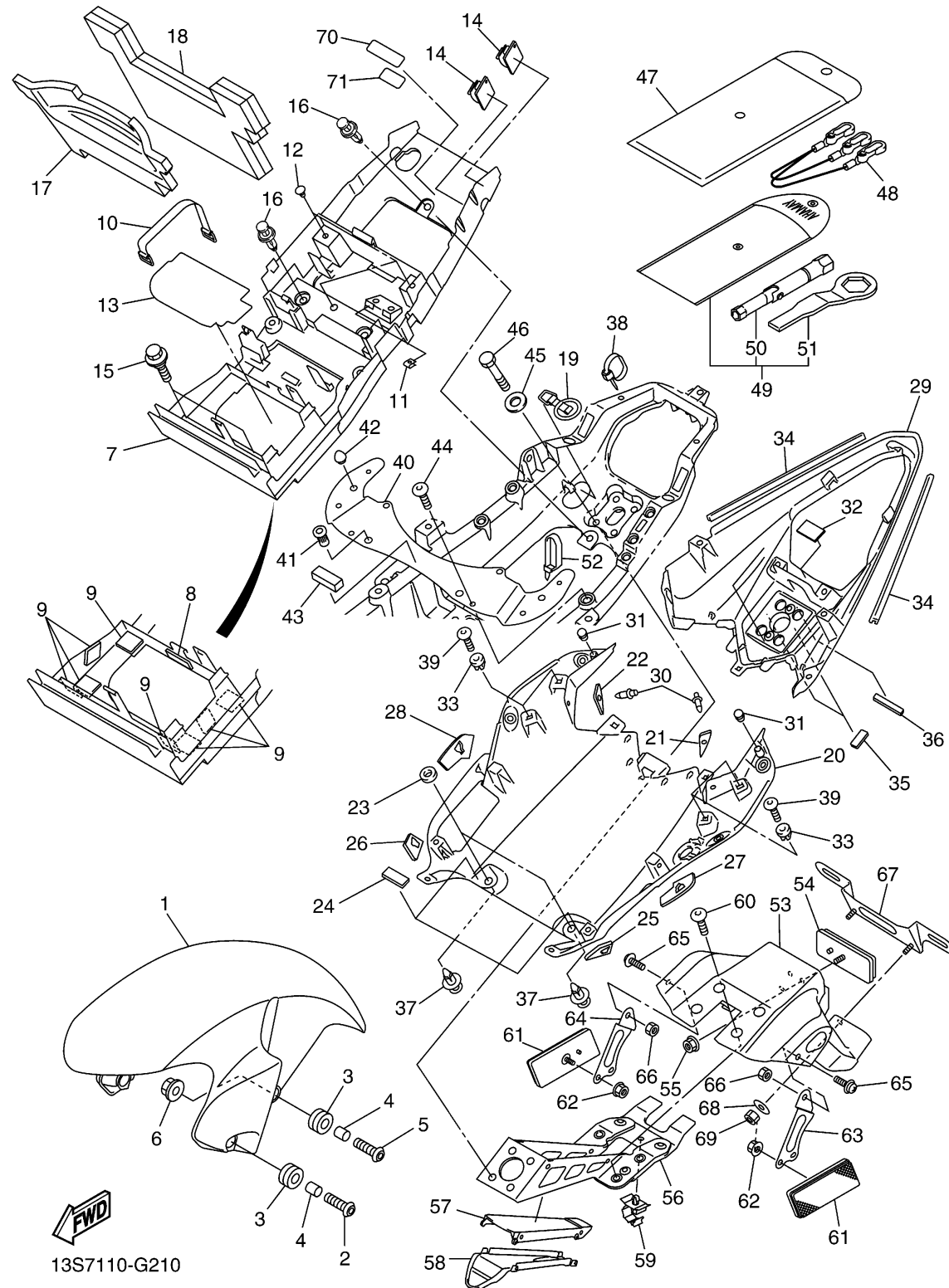
CONTINUED ON NEXT FRAME >



FENDER

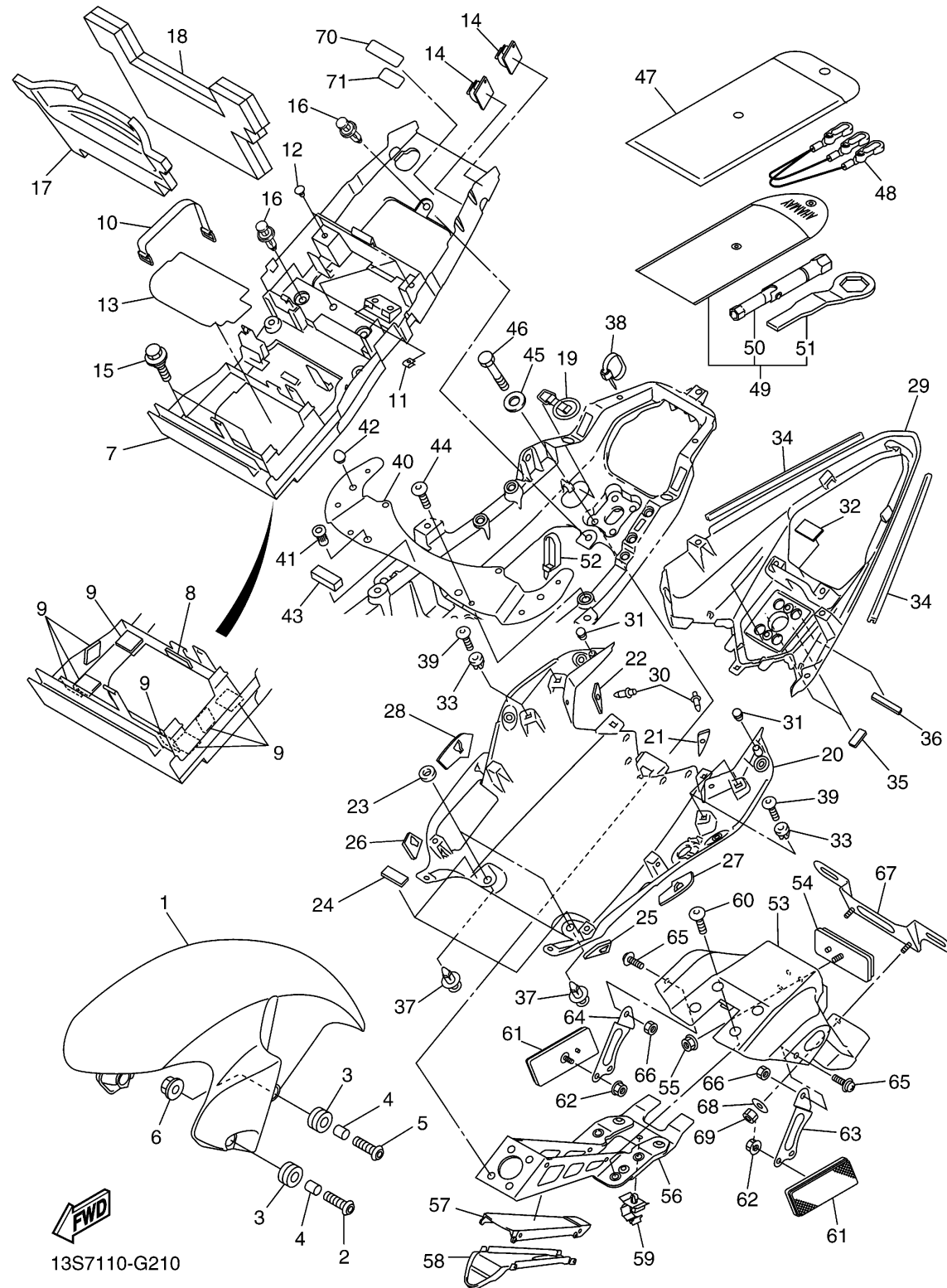
Ref No.	Part Number	Description	Qty	Remarks
35	13S-21575-00-00	SEAL 1	2	
36	13S-2173N-00-00	SEAL 4	2	
37	90269-07010-00	RIVET	2	
38	90464-13073-00	CLAMP	1	
39	97702-50014-00	SCREW, TAPPING	4	
40	13S-21131-00-00	BRACKET	1	
41	90179-06010-00	NUT	2	
42	4G0-21639-00-00	DAMPER 2	2	
43	5YT-24665-00-00	DAMPER	1	
44	90111-06104-00	BOLT, HEX. SOCKET BUTTON	4	
45	13S-21615-00-00	WASHER, SPECIAL 1	4	
46	90101-06056-00	BOLT	4	
47	2C0-28100-00-00	TOOL KIT	1	
48	2C0-21370-00-00	HELMET HANGER ASSY	1	
49	2C0-28110-00-00	TOOL KIT, 2	1	
50	4XV-2814F-00-00	. BOX, SPARK PLUG	1	
51	4FM-28135-00-00	. SPANNER, SPECIAL	1	
52	90465-13M11-00	CLAMP	1	
53	2C0-21629-10-00	GUARD, MUD	1	
54	3Y6-85130-02-00	REAR REFLECTOR ASSY	1	

CONTINUED ON NEXT FRAME >



FENDER

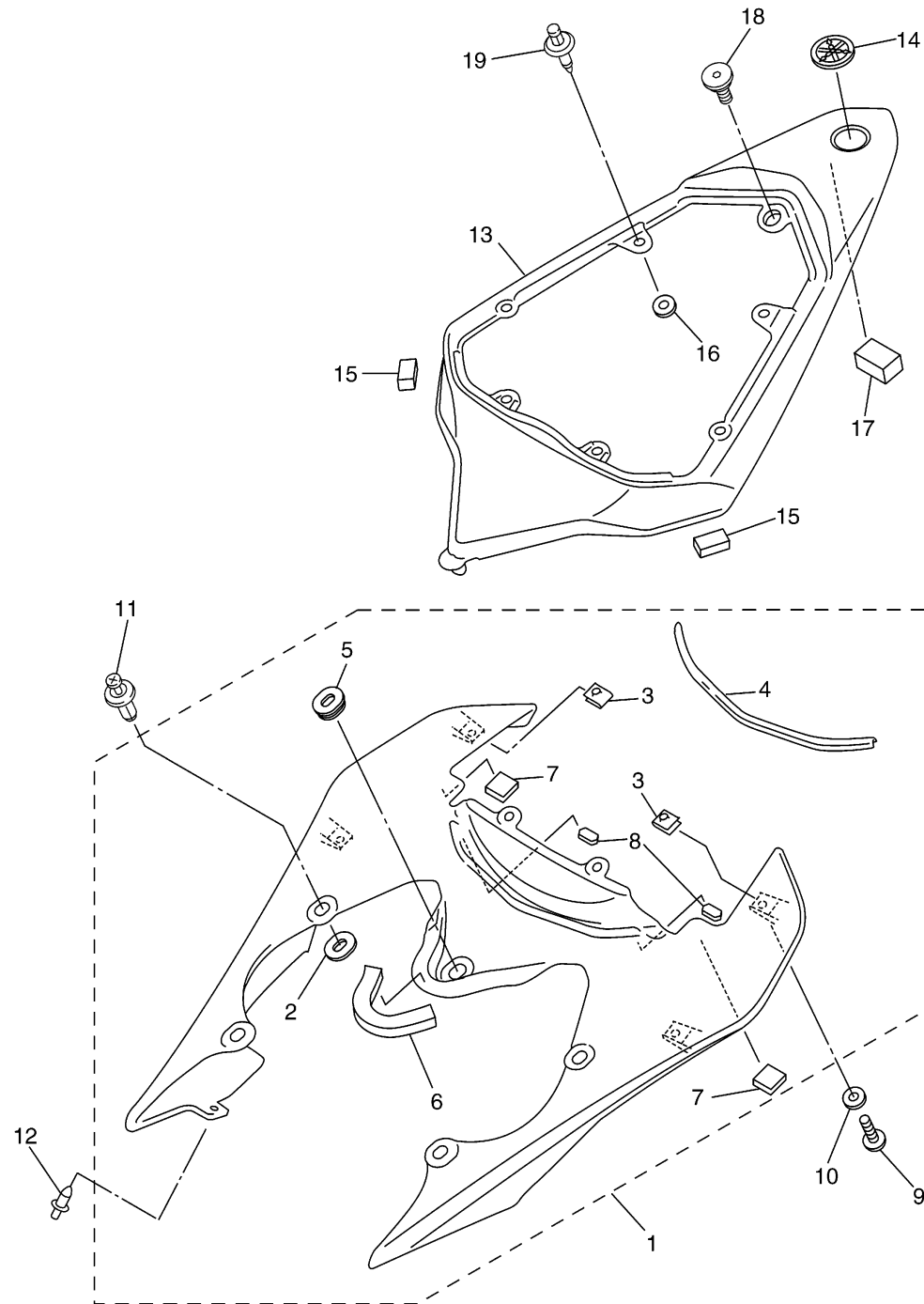
Ref No.	Part Number	Description	Qty	Remarks
55	95602-05200-00	NUT, SELF-LOCKING	1	
56	13S-21640-00-00	REAR STAY COMP.	1	
57	2C0-2163A-00-00	COVER, REAR FENDER 1	1	
58	2C0-2163E-00-00	COVER, REAR FENDER 2	1	
59	90464-14228-00	CLAMP	1	
60	90109-06182-00	BOLT	4	
61	3Y6-85130-02-00	REAR REFLECTOR ASSY	2	
62	95702-05500-00	NUT, WITH WASHER	2	
63	2C0-21688-00-00	BRACKET, REAR STAY	1	
64	2C0-21689-00-00	BRACKET, REAR STAY 2	1	
65	90159-06011-00	SCREW, WITH WASHER	2	
66	95602-06100-00	NUT, U	2	
67	5MT-84751-00-00	BRACKET, LICENSE	1	
68	90201-06057-00	WASHER, PLATE	2	
69	95602-06100-00	NUT, U	2	
70	3JJ-28446-A1-00	LABEL, CAUTION	1	
71	3TB-24877-A0-00	LABEL, CAUTION	1	



SIDE COVER

Ref No.	Part Number	Description	Qty	Remarks
1	13S-21710-00-P0	SIDE COVER ASSY 1	1	UR FOR DPBMC
1	13S-21710-00-P3	SIDE COVER ASSY 1	1	UR FOR SMX
1	13S-21710-00-P4	SIDE COVER ASSY 1	1	UR FOR S3
2	5PW-2174X-00-00	. DAMPER	4	
3	90183-05076-00	. NUT, SPRING	4	
4	13S-2171L-00-00	. MOLE, SIDE COVER 1	1	
5	90480-01558-00	. GROMMET	1	
6	2C0-28237-00-00	. DAMPER 3	1	
7	1UF-15379-00-00	. SEAL	2	
8	5SL-28416-00-00	. DAMPER 2	2	
9	90111-05003-00	BOLT, HEX. SOCKET BUTTON	4	
10	90202-05180-00	WASHER, PLATE	4	
11	90269-07076-00	RIVET	4	
12	90269-06008-00	RIVET	2	
13	13S-21720-00-P2	SIDE COVER ASSY 2	1	UR FOR DPBMC
13	13S-21720-00-P3	SIDE COVER ASSY 2	1	UR FOR SMX
13	13S-21720-00-P4	SIDE COVER ASSY 2	1	UR FOR S3
14	4KN-2836B-10-00	. TUNING FORK MARK	1	
15	13S-21639-00-00	. DAMPER 2	2	
16	5SL-84753-00-00	. DAMPER	2	

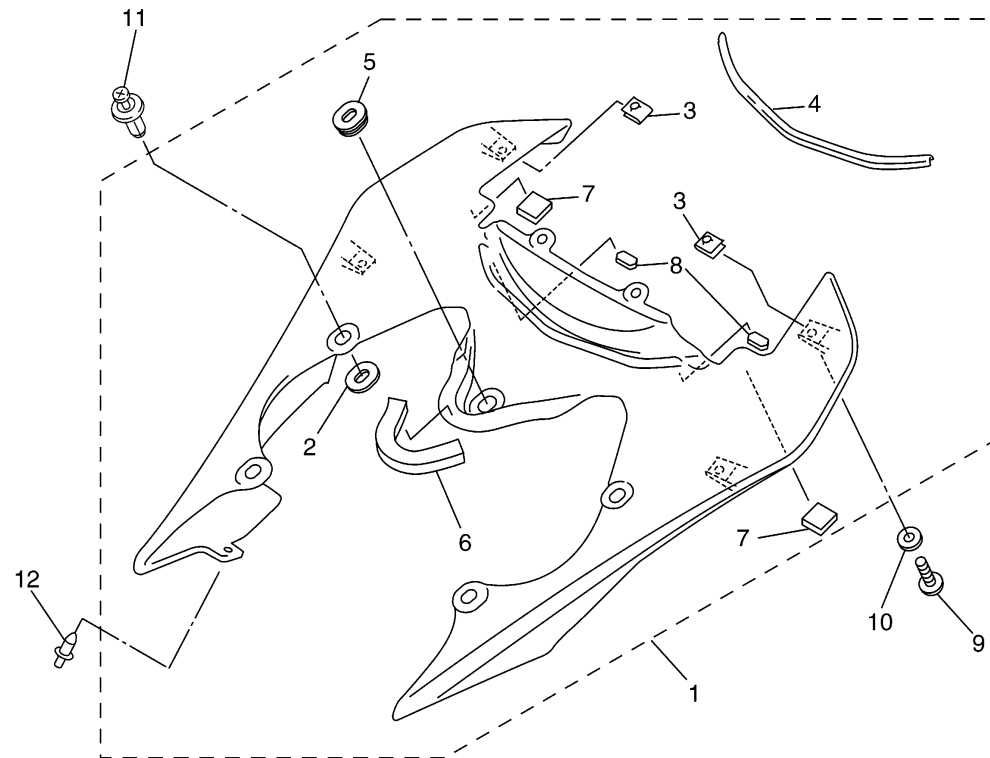
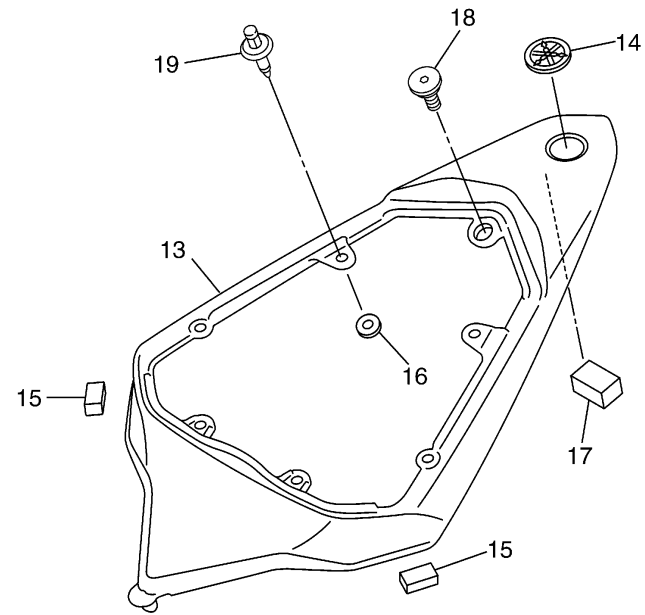
CONTINUED ON NEXT FRAME >



13S3700-G220

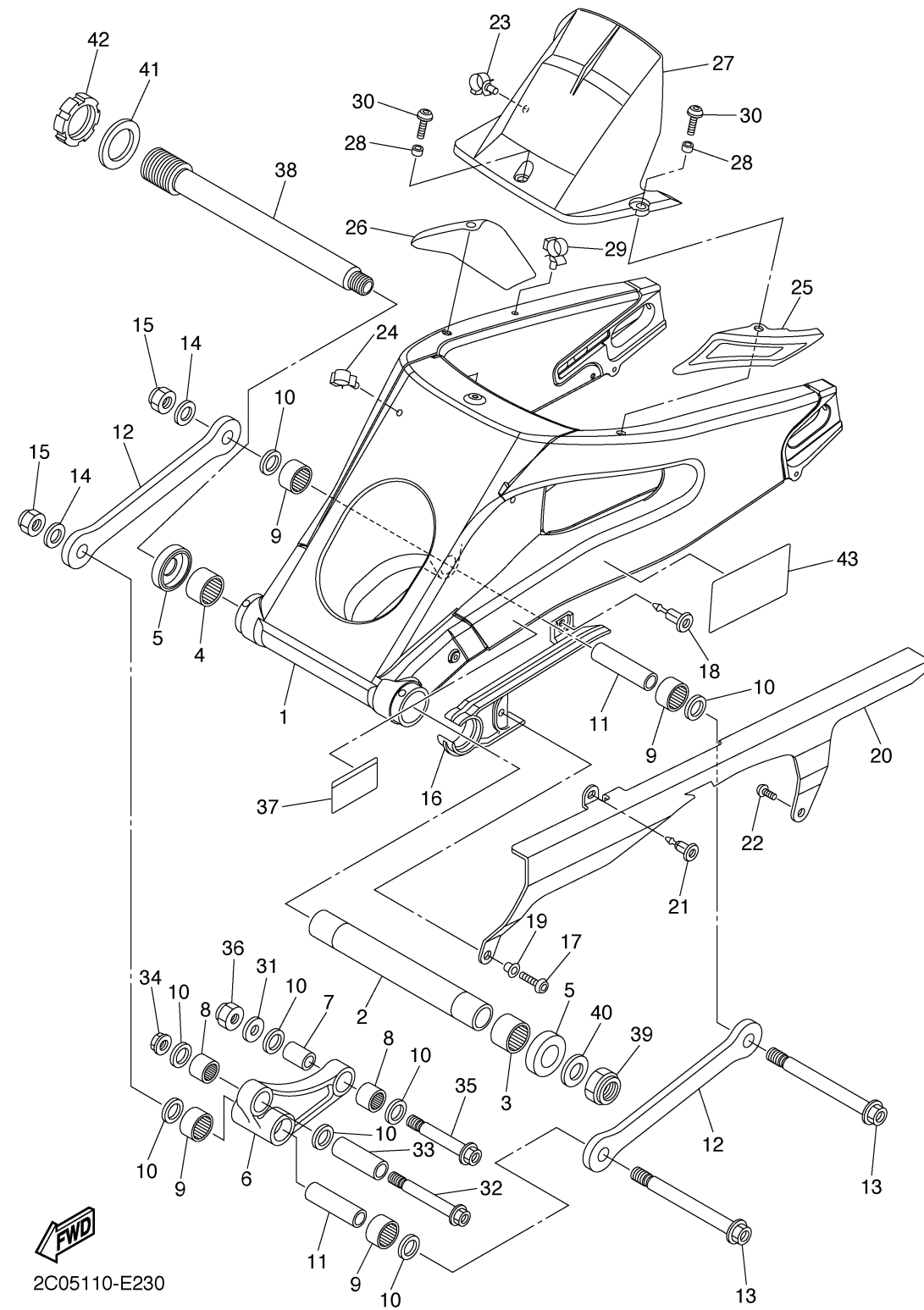
SIDE COVER

Ref No.	Part Number	Description	Qty	Remarks
17	4J2-21778-00-00	. DAMPER, LOCATING 1	1	
18	90109-06248-00	BOLT	1	
19	90269-06001-00	RIVET	6	



 13S3700-G220

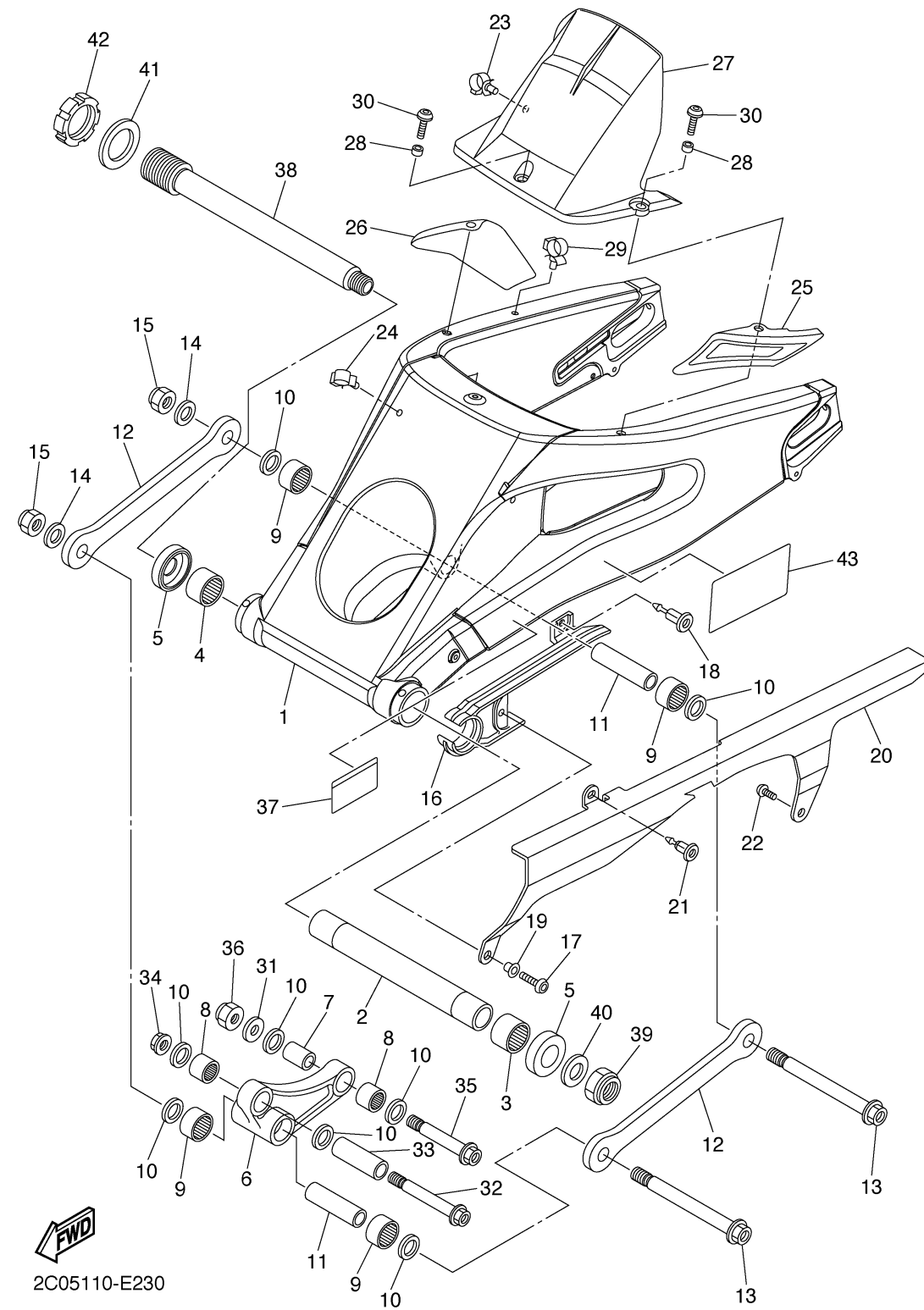
REAR ARM



2C05110-E230

Ref No.	Part Number	Description	Qty	Remarks
1	13S-22110-00-00	REAR ARM COMP.	1	
2	2C0-22184-00-00	BUSH	1	
3	93317-330A0-00	BEARING	1	
4	93317-330A1-00	BEARING	1	
5	2C0-22128-00-00	COVER, THRUST 1	2	
6	2C0-2217A-00-00	ARM, RELAY	1	
7	90387-127W0-00	COLLAR	1	
8	93315-31759-00	BEARING	2	
9	93315-31758-00	BEARING	4	
10	93109-17071-00	OIL SEAL	8	
11	90387-126Y1-00	COLLAR	2	
12	2C0-2217M-00-00	ARM 1	2	
13	90109-12010-00	BOLT	2	
14	92902-12600-00	WASHER, PLATE	2	
15	90185-12119-00	NUT, SELF-LOCKING	2	
16	2C0-22151-00-00	SEAL, GUARD	1	
17	92012-06016-00	BOLT, BUTTON HEAD	1	
18	90269-07008-00	RIVET	1	
19	90387-062X0-00	COLLAR	1	
20	2C0-22311-00-00	CASE, CHAIN	1	

CONTINUED ON NEXT FRAME >

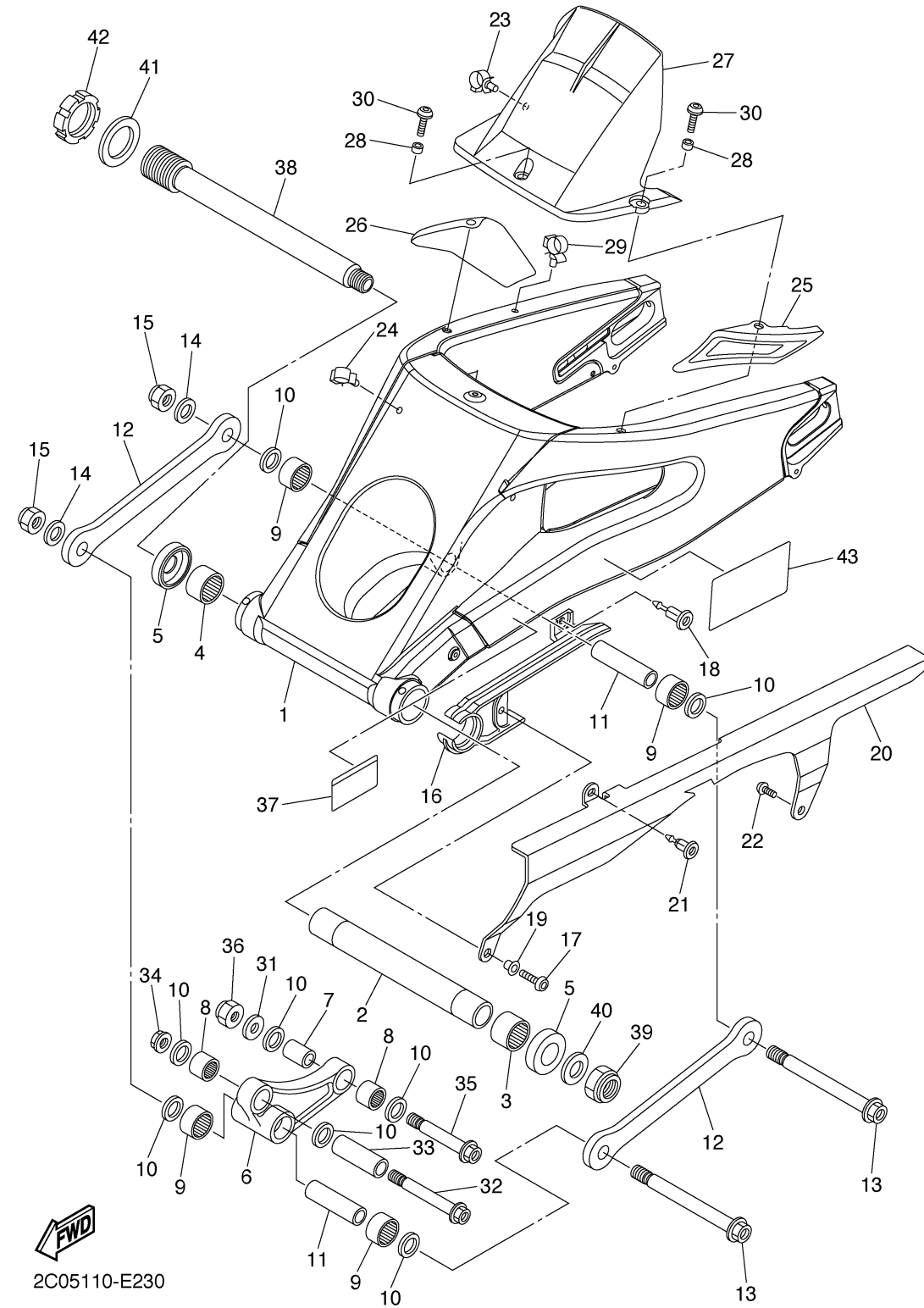


REAR ARM

Ref No.	Part Number	Description	Qty	Remarks
21	90269-07007-00	RIVET	1	
22	90110-06102-00	BOLT, HEXAGON SOCKET HEAD	1	
23	90464-16012-00	CLAMP	1	
24	90464-16011-00	CLAMP	1	
25	2C0-228A0-00-00	COVER ASSY 1	1	
26	2C0-228B0-00-00	COVER ASSY 2	1	
27	2C0-21650-00-00	REAR FENDER COMP.	1	
28	90387-06022-00	COLLAR	3	
29	90464-16012-00	CLAMP	1	
30	90111-06038-00	BOLT, HEX. SOCKET BUTTON	3	
31	92902-12600-00	WASHER, PLATE	1	
32	90109-10017-00	BOLT	1	
33	90387-1012B-00	COLLAR	1	
34	95602-10200-00	NUT, U FLANGE	1	
35	90109-12011-00	BOLT	1	
36	90185-12119-00	NUT, SELF-LOCKING	1	
37	5VY-21668-00-00	LABEL, TIRE	1	
38	2C0-22141-10-00	SHAFT, PIVOT	1	
39	90185-22002-00	NUT, SELF-LOCKING	1	
40	90201-22014-00	WASHER, PLATE	1	

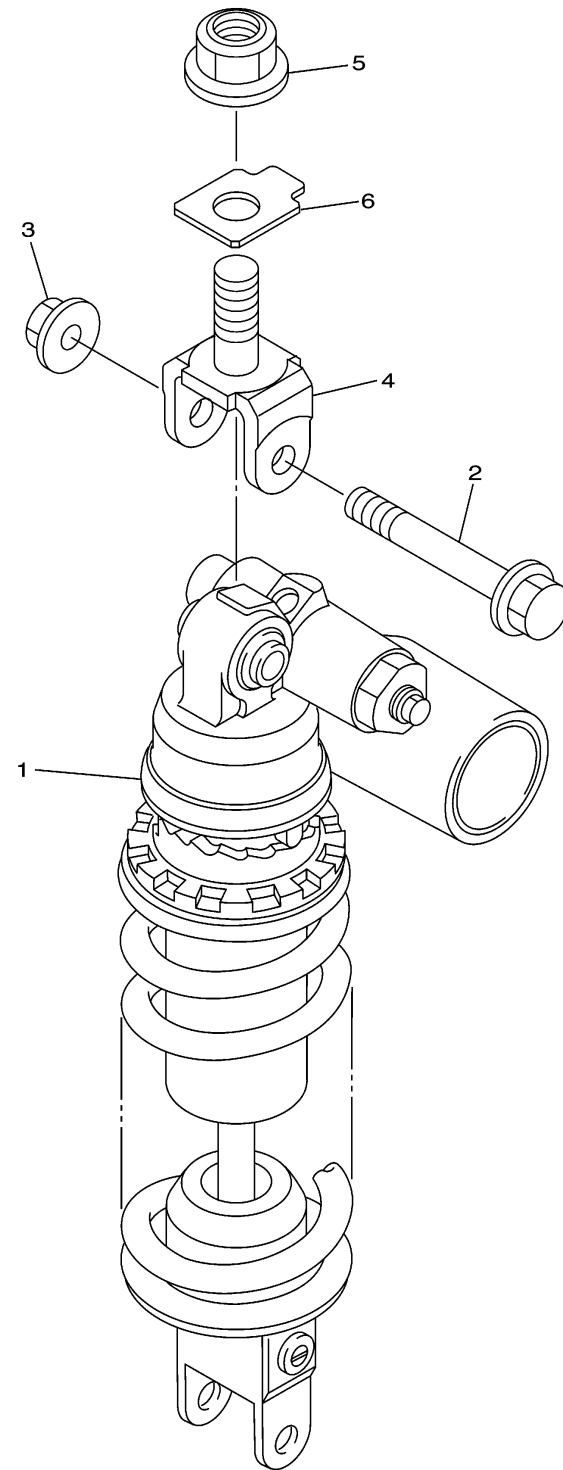
CONTINUED ON NEXT FRAME >

REAR ARM



Ref No.	Part Number	Description	Qty	Remarks
41	90201-33014-00	WASHER, PLATE	1	
42	2C0-22252-00-00	NUT	1	
43	13S-2179W-00-00	PLATE, EPA (NON CALIFORNIA)	1	
43	13S-2176P-00-00	PLATE, EPA (CALIFORNIA)	1	

REAR SUSPENSION

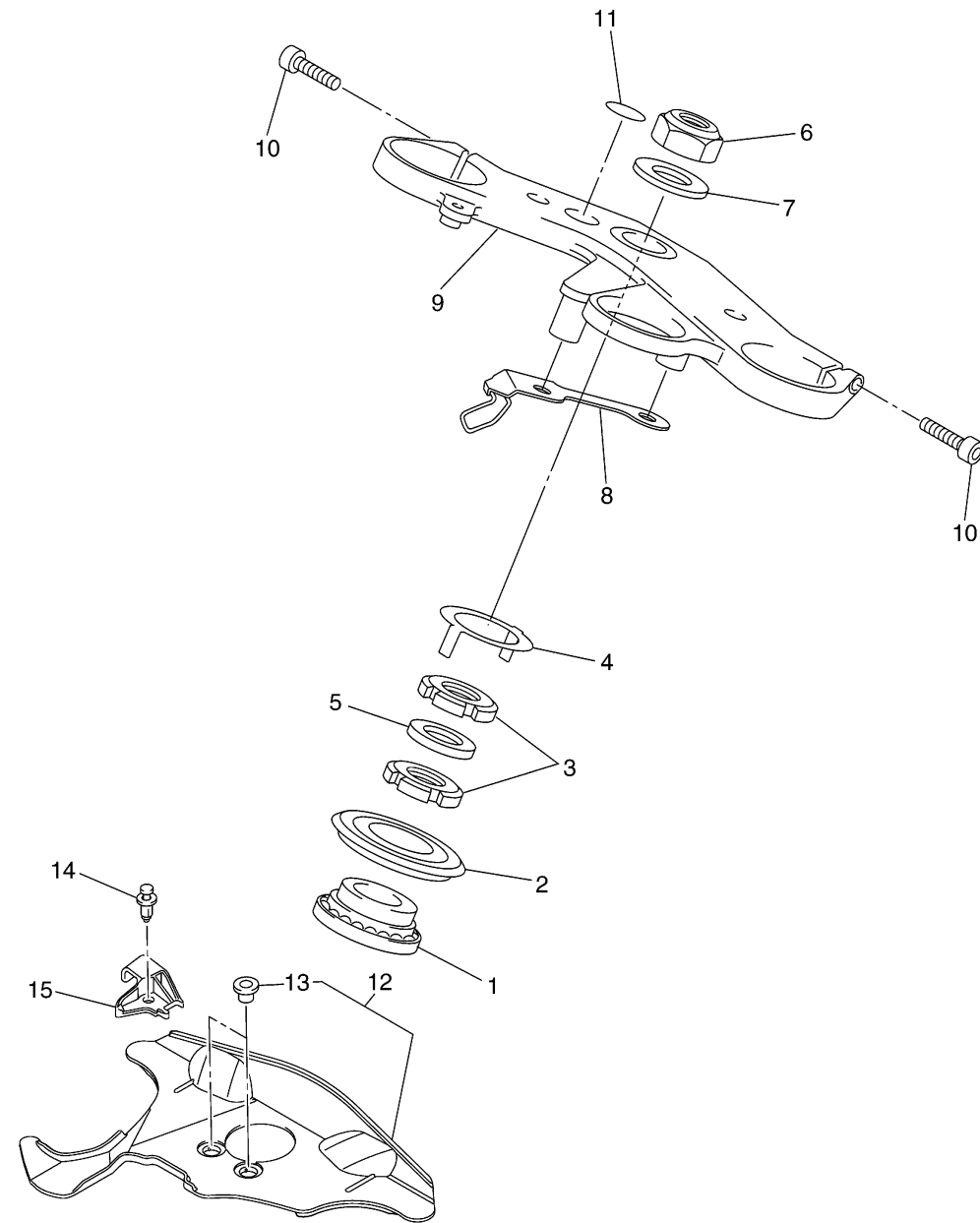


Ref No.	Part Number	Description	Qty	Remarks
1	13S-22210-20-00	SHOCK ABSORBER ASSY, REAR	1	
2	90105-10017-00	BOLT, FLANGE	1	
3	95602-10200-00	NUT, U FLANGE	1	
4	13S-22219-00-00	BRACKET, UPPER	1	
5	95602-14200-00	NUT, SELF-LOCKING	1	
6	13S-22243-00-00	WASHER 1	1	



13S1300-G240

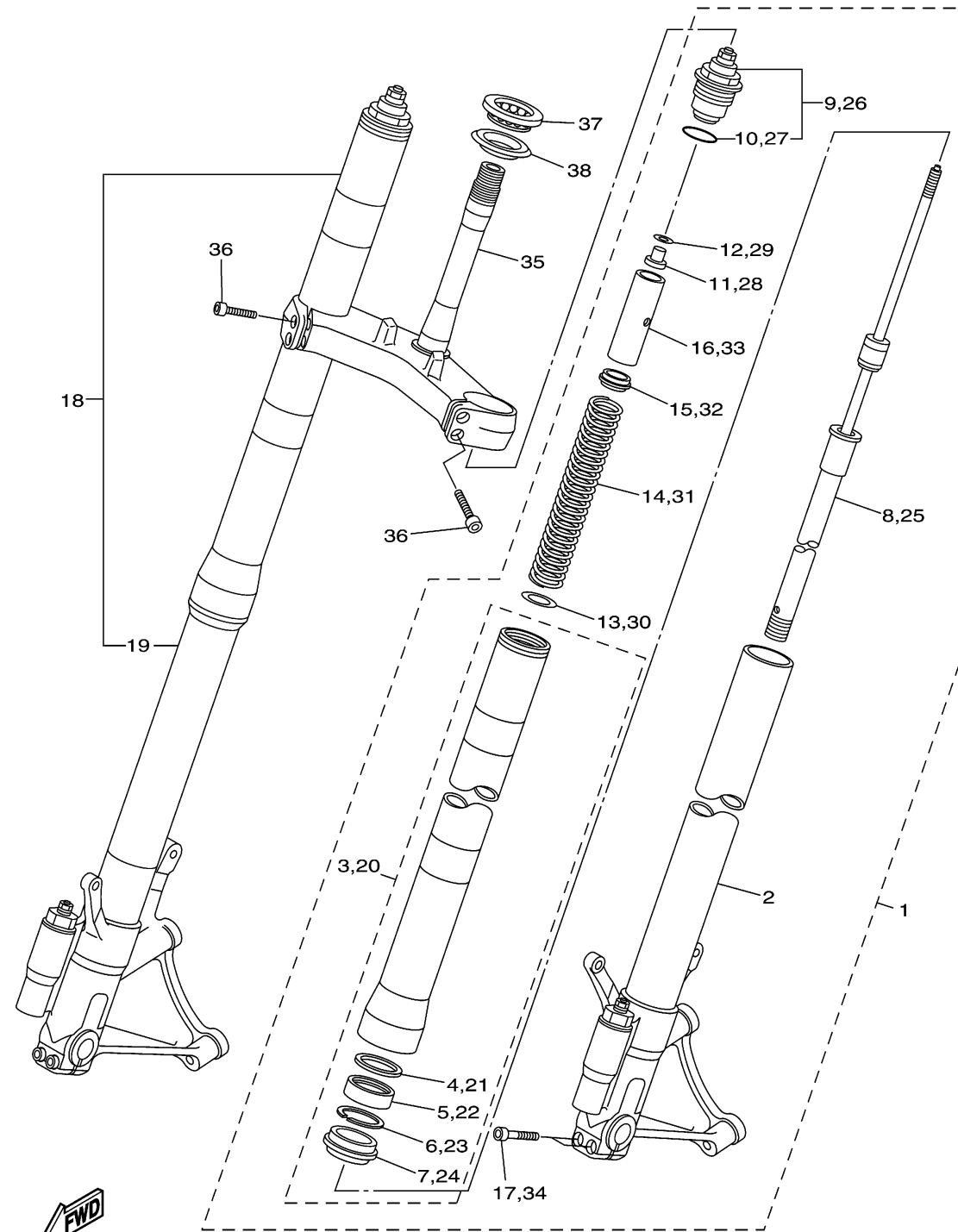
STEERING



Ref No.	Part Number	Description	Qty	Remarks
1	93399-99932-00	BEARING	1	
2	4XV-23415-01-00	COVER, BALL RACE 1	1	
3	90179-30691-00	NUT	2	
4	4XV-23418-00-00	WASHER, SPECIAL	1	
5	90202-30235-00	WASHER, PLATE	1	
6	90170-28419-00	NUT	1	
7	90201-281U8-00	WASHER, PLATE	1	
8	2C0-23389-00-00	GUIDE, CABLE	1	
9	13S-23435-10-00	CROWN, HANDLE	1	
10	91314-08030-00	BOLT	2	
11	4XV-2341B-00-00	EMBLEM	1	
12	13S-23808-00-00	STEERING, COVER ASSY	1	
13	90387-06048-00	. COLLAR	2	
14	90269-07001-00	RIVET	1	
15	13S-26279-00-00	GUIDE, CABLE	1	


13S1300-G250

FRONT FORK

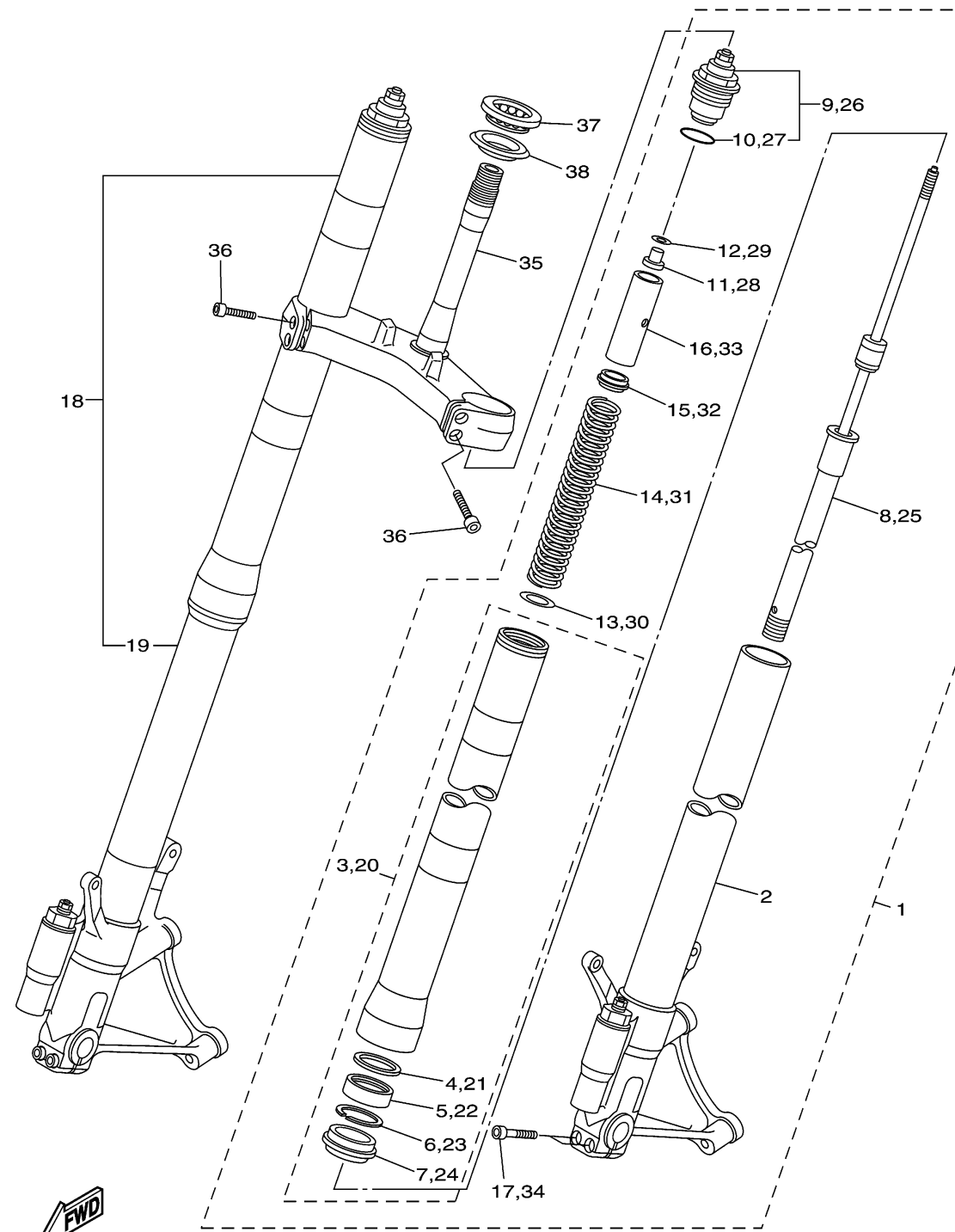



13S1300-G260

Ref No.	Part Number	Description	Qty	Remarks
1	13S-23102-00-00	FRONT FORK ASSY (L.H)	1	
2	13S-23110-00-00	. INNER TUBE COMP. 1	1	
3	13S-23106-00-00	. OUTER TUBE COMP. (L.H)	1	
4	3VD-23115-00-00	.. GUIDE, COVER UPPER	1	
5	5VU-23145-00-00	.. OIL SEAL	1	
6	3VD-23156-00-00	.. CLIP, OIL SEAL	1	
7	3VD-23144-00-00	.. SEAL, DUST	1	
8	13S-23170-00-00	. CYLINDER COMP., FRONT FORK	1	
9	13S-23111-00-00	. BOLT, CAP	1	
10	93210-41N50-00	.. O-RING	1	
11	13S-23393-00-00	. NUT, SPECIAL	1	
12	13S-2332N-00-00	. PLATE, VALVE 2	1	
13	2C0-23143-00-00	. SEAT, SPRING LOWER	1	
14	13S-23141-00-00	. SPRING, FRONT FORK	1	
15	13S-23142-00-00	. SEAT, SPRING UPPER	1	
16	13S-23118-00-00	. SPACER	1	
17	91314-08040-00	. BOLT	2	
18	13S-23103-00-00	FRONT FORK ASSY (R.H)	1	
19	13S-23120-00-00	. INNER TUBE COMP. 2	1	
20	13S-23106-00-00	. OUTER TUBE COMP. (L.H)	1	

CONTINUED ON NEXT FRAME >

FRONT FORK



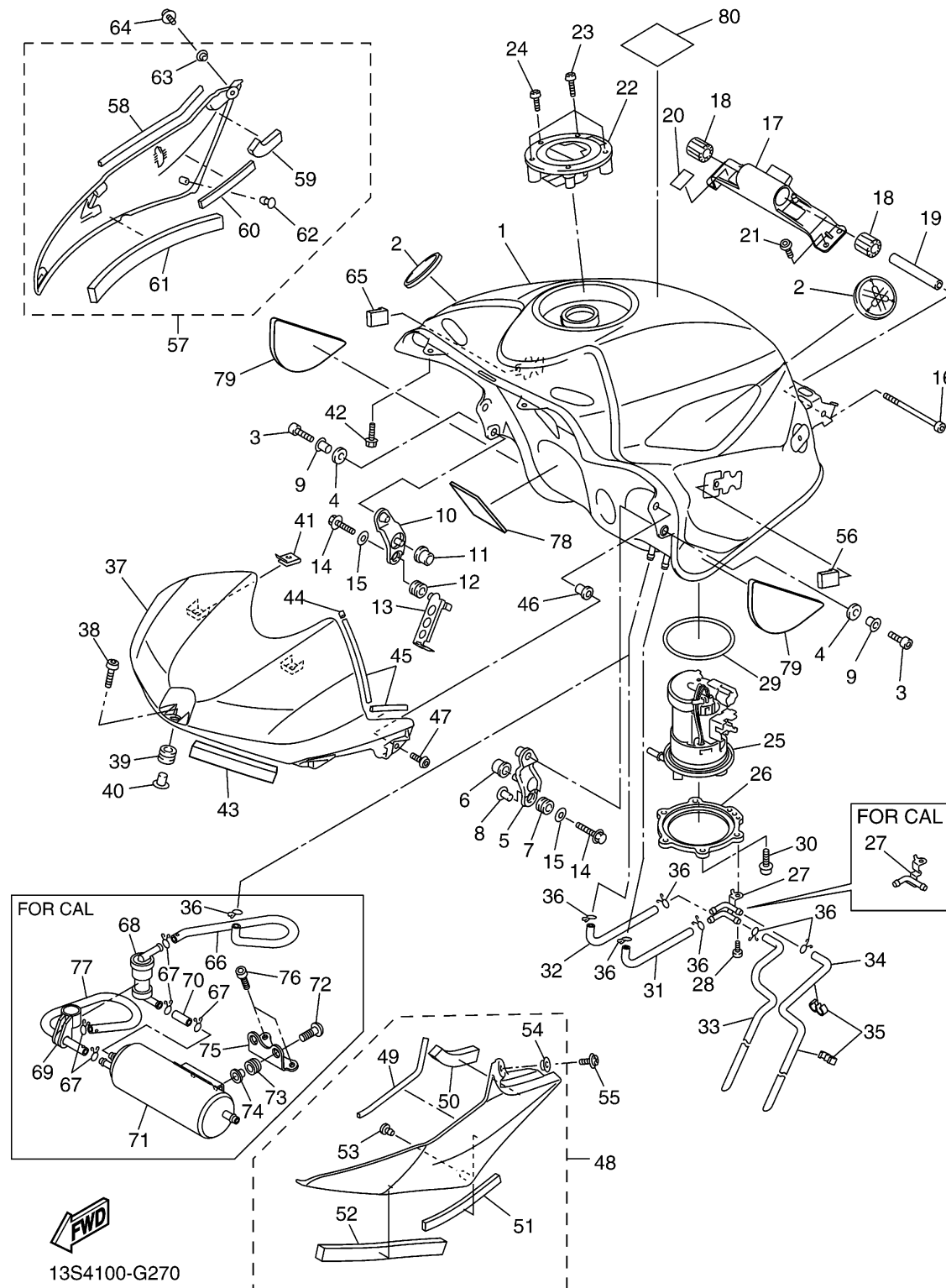
13S1300-G260

Ref No.	Part Number	Description	Qty	Remarks
21	3VD-23115-00-00	. . GUIDE, COVER UPPER	1	
22	5VU-23145-00-00	. . OIL SEAL	1	
23	3VD-23156-00-00	. . CLIP, OIL SEAL	1	
24	3VD-23144-00-00	. . SEAL, DUST	1	
25	13S-23170-00-00	. CYLINDER COMP., FRONT FORK	1	
26	13S-23111-00-00	. BOLT, CAP	1	
27	93210-41N50-00	. . O-RING	1	
28	13S-23393-00-00	. NUT, SPECIAL	1	
29	13S-2332N-00-00	. PLATE, VALVE 2	1	
30	2C0-23143-00-00	. SEAT, SPRING LOWER	1	
31	13S-23141-00-00	. SPRING, FRONT FORK	1	
32	13S-23142-00-00	. SEAT, SPRING UPPER	1	
33	13S-23118-00-00	. SPACER	1	
34	91314-08040-00	. BOLT	2	
35	13S-23340-00-00	UNDER BRACKET COMP.	1	
36	91314-08030-00	BOLT	4	
37	93399-99957-00	BEARING	1	
38	3FV-23462-00-00	SEAL, DUST	1	

FUEL TANK

Ref No.	Part Number	Description	Qty	Remarks
1	13S-YK241-00-P0	FUEL TANK COMP.	1	UR FOR DPBMC
1	13S-YK241-00-P3	FUEL TANK COMP.	1	UR FOR SMX
1	13S-YK241-00-P4	FUEL TANK COMP.	1	UR FOR S3
2	5SL-2413B-00-00	EMBLEM	2	
3	91312-06016-00	BOLT	2	
4	5VY-24183-00-00	DAMPER, LOCATING 3	2	
5	5VY-24191-00-00	BRACKET, FUEL TANK 1	1	
6	5VY-24181-00-00	DAMPER, LOCATING 1	1	
7	90480-10542-00	GROMMET	1	
8	90387-066Y6-00	COLLAR	1	
9	90387-06143-00	COLLAR	2	
10	5VY-24192-00-00	BRACKET, FUEL TANK 2	1	
11	5VY-24181-00-00	DAMPER, LOCATING 1	1	
12	90480-10542-00	GROMMET	1	
13	2C0-21339-00-00	GUIDE, WIRE	1	
14	95022-06030-00	BOLT, FLANGE	2	
15	90201-06063-00	WASHER, PLATE	2	
16	91312-06090-00	BOLT	1	
17	2C0-2413Y-00-00	BRACKET, TANK FITTING	1	
18	5SL-24183-00-00	DAMPER, LOCATING 3	2	

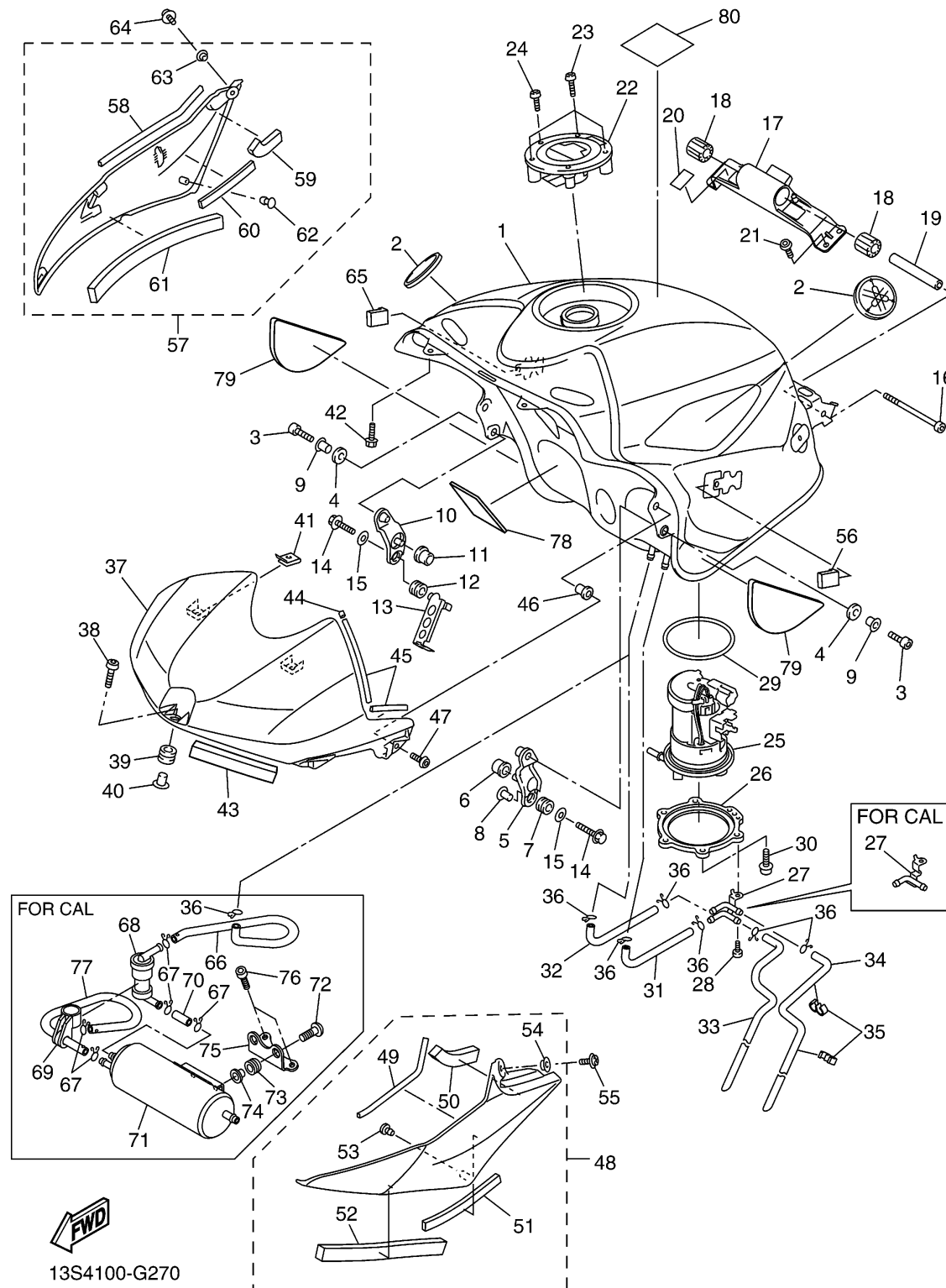
CONTINUED ON NEXT FRAME >



FUEL TANK

Ref No.	Part Number	Description	Qty	Remarks
19	90387-06055-00	COLLAR	1	
20	2C0-21566-00-00	TAPE, 1	2	
21	90111-06071-00	BOLT, HEX. SOCKET BUTTON	4	
22	5JJ-24602-00-00	CAP ASSY	1	
23	90110-05112-00	BOLT, HEXAGON SOCKET HEAD	3	
24	91312-05010-00	BOLT	1	
25	4C8-13907-00-00	FUEL PUMP COMP.	1	
26	13S-24491-00-00	BRACKET, FUEL PUMP	1	
27	13S-24135-00-00	CLAMP 1	1	
27	13S-24135-10-00	CLAMP 1	1	
28	90154-05012-00	SCREW, BINDING	1	
29	5JW-24486-00-00	O-RING	1	
30	90110-05028-00	BOLT, HEXAGON SOCKET HEAD	6	
31	13S-24315-00-00	PIPE 5	1	
32	13S-24316-00-00	PIPE 6	1	
33	13S-24317-00-00	PIPE 7	1	
33	13S-24317-10-00	PIPE 7	1	
34	13S-24313-00-00	PIPE 3	1	
35	90464-09M31-00	CLAMP	2	
36	90467-09006-00	CLIP	4	

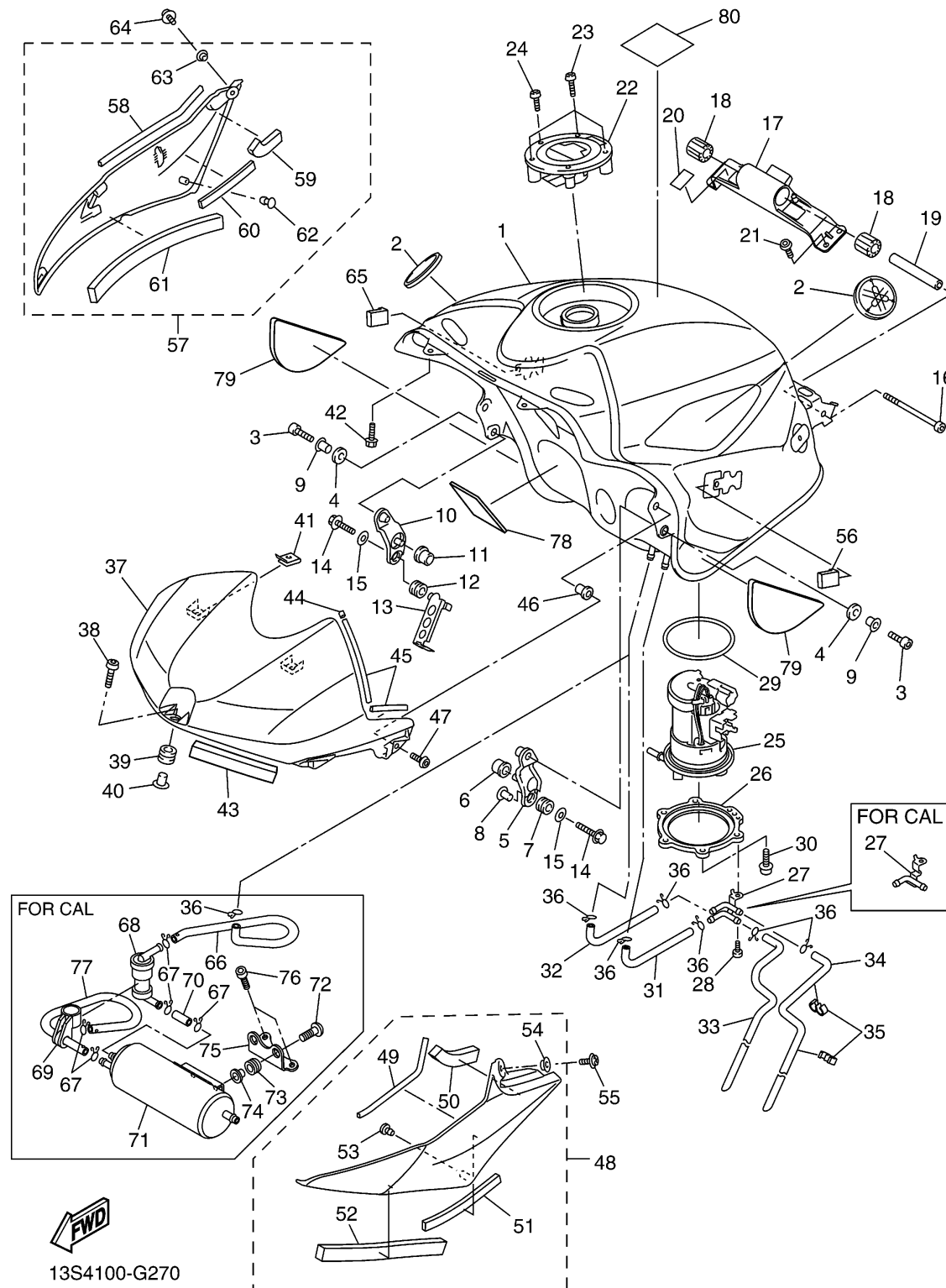
CONTINUED ON NEXT FRAME >



FUEL TANK

Ref No.	Part Number	Description	Qty	Remarks
36	90467-09006-00	CLIP	6	
37	13S-2171A-00-P0	COVER, TOP	1	UR FOR DPBMC
37	13S-2171A-00-P2	COVER, TOP	1	UR MBL2 FOR SMX
37	13S-2171A-00-P3	COVER, TOP	1	UR MT1 FOR S3
38	90110-06233-00	BOLT, HEXAGON SOCKET HEAD	1	
39	90480-12023-00	GROMMET	1	
40	90387-06203-00	COLLAR	1	
41	90183-05074-00	NUT, SPRING	2	
42	90105-05014-00	BOLT, FLANGE	2	
43	2C0-2414J-00-00	DAMPER, PLATE 2	2	
44	13S-24181-00-00	DAMPER, LOCATING 1	2	
45	2C0-2414N-00-00	DAMPER, PLATE 4	4	
46	90179-05523-00	NUT	2	
47	98902-05014-00	SCREW, BIND	2	
48	13S-24106-00-00	TANK SIDE COVER ASSY 1	1	
49	4C8-2414H-00-00	. DAMPER, PLATE 1	1	
50	2C0-2414P-00-00	. DAMPER, PLATE 5	1	
51	4C8-2414J-00-00	. DAMPER, PLATE 2	1	
52	2C0-24184-00-00	. DAMPER, LOCATING 4	1	
53	90338-06018-00	. PLUG	1	

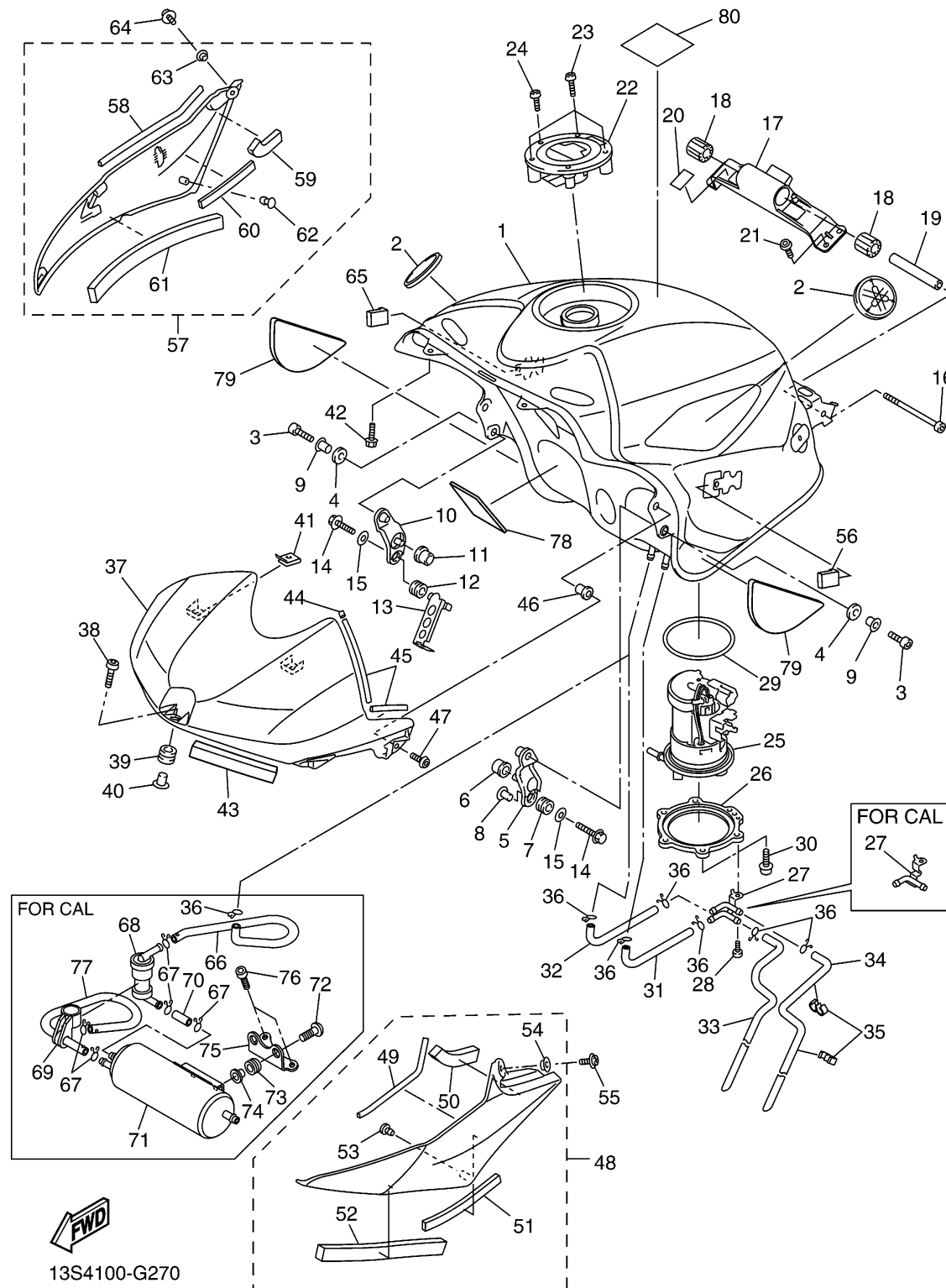
CONTINUED ON NEXT FRAME >



FUEL TANK

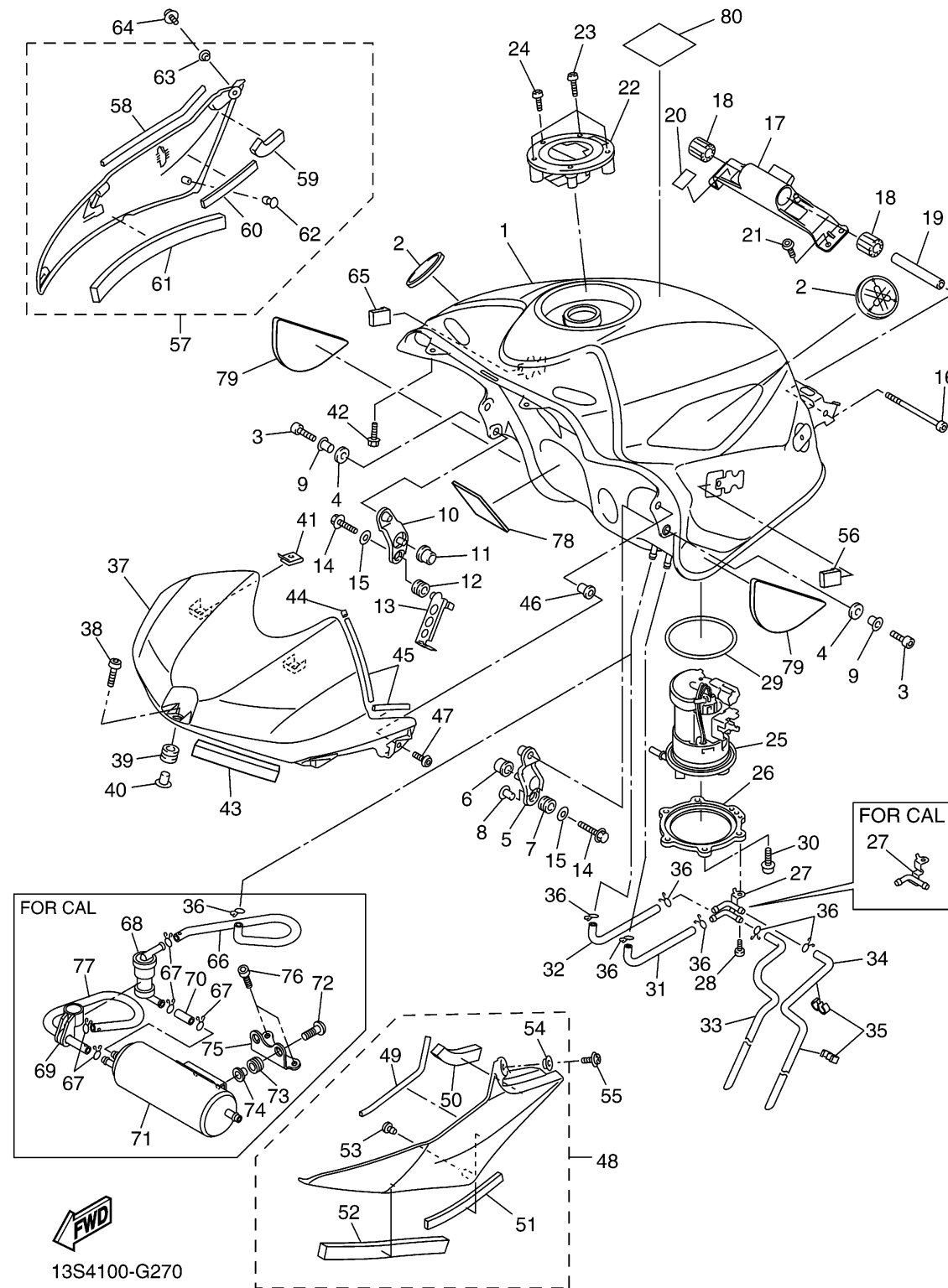
Ref No.	Part Number	Description	Qty	Remarks
54	90387-05035-00	. COLLAR	1	
55	98902-05008-00	SCREW, BIND	1	
56	5PW-2411J-01-00	DAMPER, SIDE COVER	1	
57	13S-24108-00-00	TANK SIDE COVER ASSY 2	1	
58	4C8-2414H-00-00	. DAMPER, PLATE 1	1	
59	2C0-2414P-00-00	. DAMPER, PLATE 5	1	
60	4C8-2414J-00-00	. DAMPER, PLATE 2	1	
61	2C0-24184-00-00	. DAMPER, LOCATING 4	1	
62	90338-06018-00	. PLUG	1	
63	90387-05035-00	. COLLAR	1	
64	98902-05008-00	SCREW, BIND	1	
65	5PW-2411J-01-00	DAMPER, SIDE COVER	1	
66	13S-24314-00-00	PIPE 4	1	
67	90467-09006-00	CLIP	5	
68	2C0-24180-00-00	ROLL OVER VALVE ASSY	1	
69	2C0-24398-00-00	BAND 1	1	
70	90445-11065-00	HOSE (L30)	1	
71	5EL-24170-00-00	CANISTER ASSY	1	
72	90111-06091-00	BOLT,HEX. SOCKET BUTTON	2	
73	90480-13018-00	GROMMET	2	

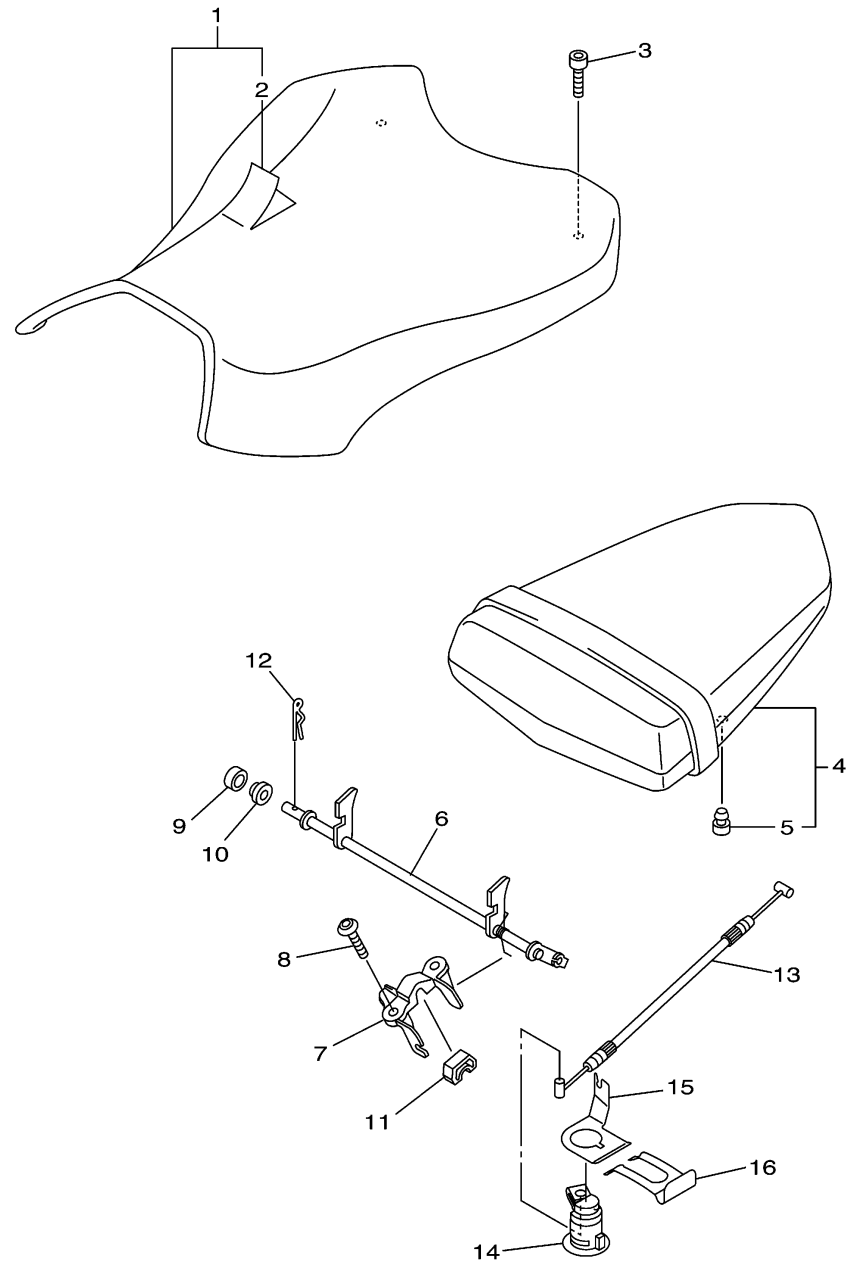
CONTINUED ON NEXT FRAME >



FUEL TANK

Ref No.	Part Number	Description	Qty	Remarks
74	90387-062L2-00	COLLAR	2	
75	2C0-2419F-00-00	BRACKET, CANISTOR	1	
76	90110-06175-00	BOLT, HEXAGON SOCKET HEAD	2	
77	2C0-1443J-01-00	PIPE	1	
78	13S-24145-00-00	DAMPER, SIDE COVER	1	
79	2C0-24145-00-00	DAMPER, SIDE COVER	2	
80	4C8-2118K-00-00	LABEL, CAUTION	1	



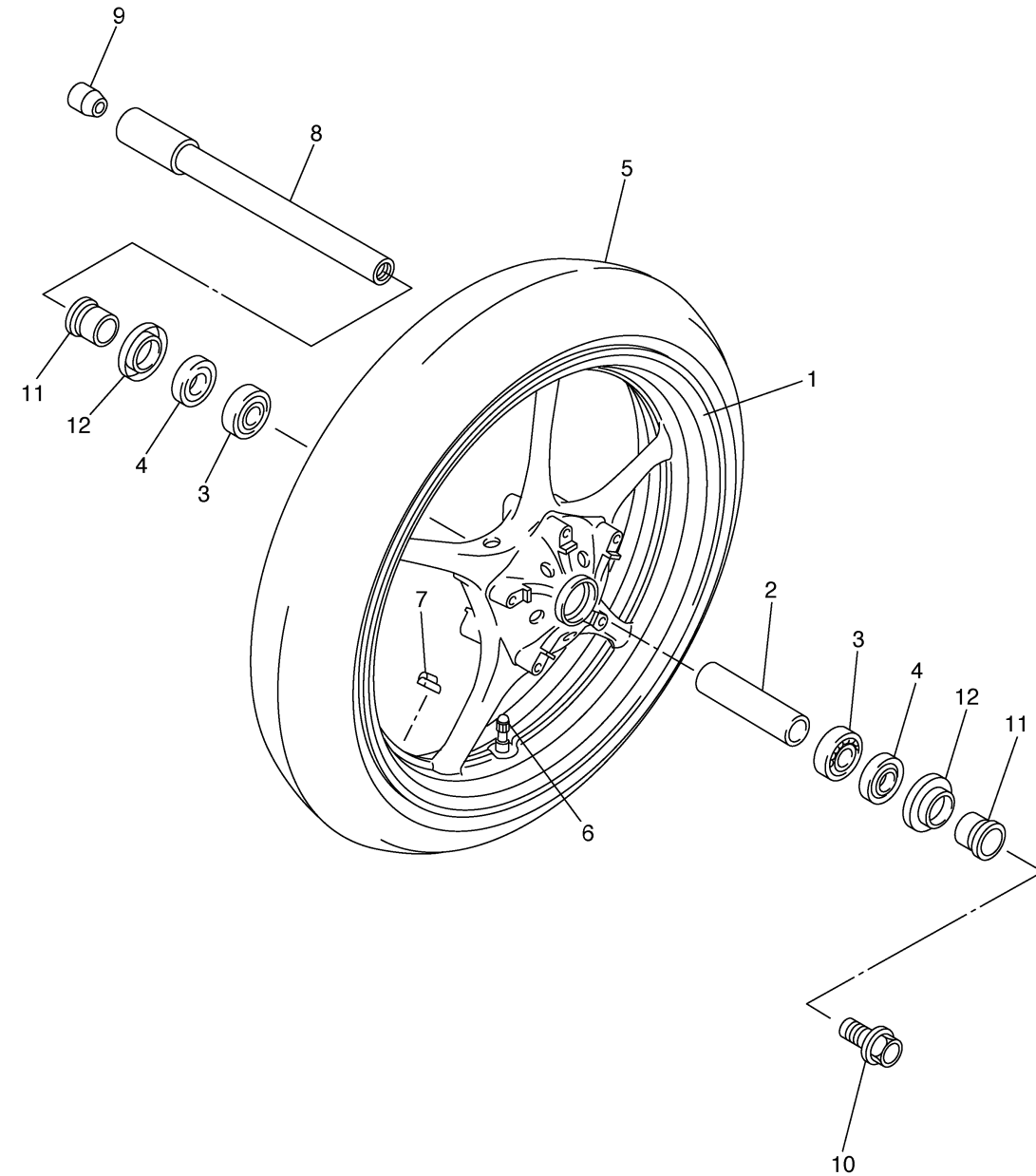


SEAT

Ref No.	Part Number	Description	Qty	Remarks
1	13S-24710-00-00	SINGLE SEAT ASSY	1	
2	13S-24711-00-00	. COVER, SINGLE SEAT	1	
3	90110-06258-00	BOLT, HEXAGON SOCKET HEAD	2	
4	13S-24750-00-00	TANDEM SEAT ASSY	1	
5	5SL-24723-00-00	. DAMPER, SEAT	2	
6	2C0-24780-00-00	SEAT LOCK ASSY	1	
7	2C0-24792-00-00	PLATE	1	
8	90111-06051-00	BOLT, HEX. SOCKET BUTTON	2	
9	2C0-24825-00-00	SPACER, CARRIER	1	
10	13S-24725-00-00	SPACER 1	1	
11	13S-24847-00-00	HOLDER 1	1	
12	90468-16001-00	CLIP	1	
13	13S-2478E-00-00	CABLE, SEAT LOCK	1	
14	5VY-W2470-00-00	ROTOR SET	1	
15	5VY-2117K-01-00	STAY, LOCK	1	
16	5VY-2176V-00-00	SPRING, LOCK 2	1	



13S1300-G280

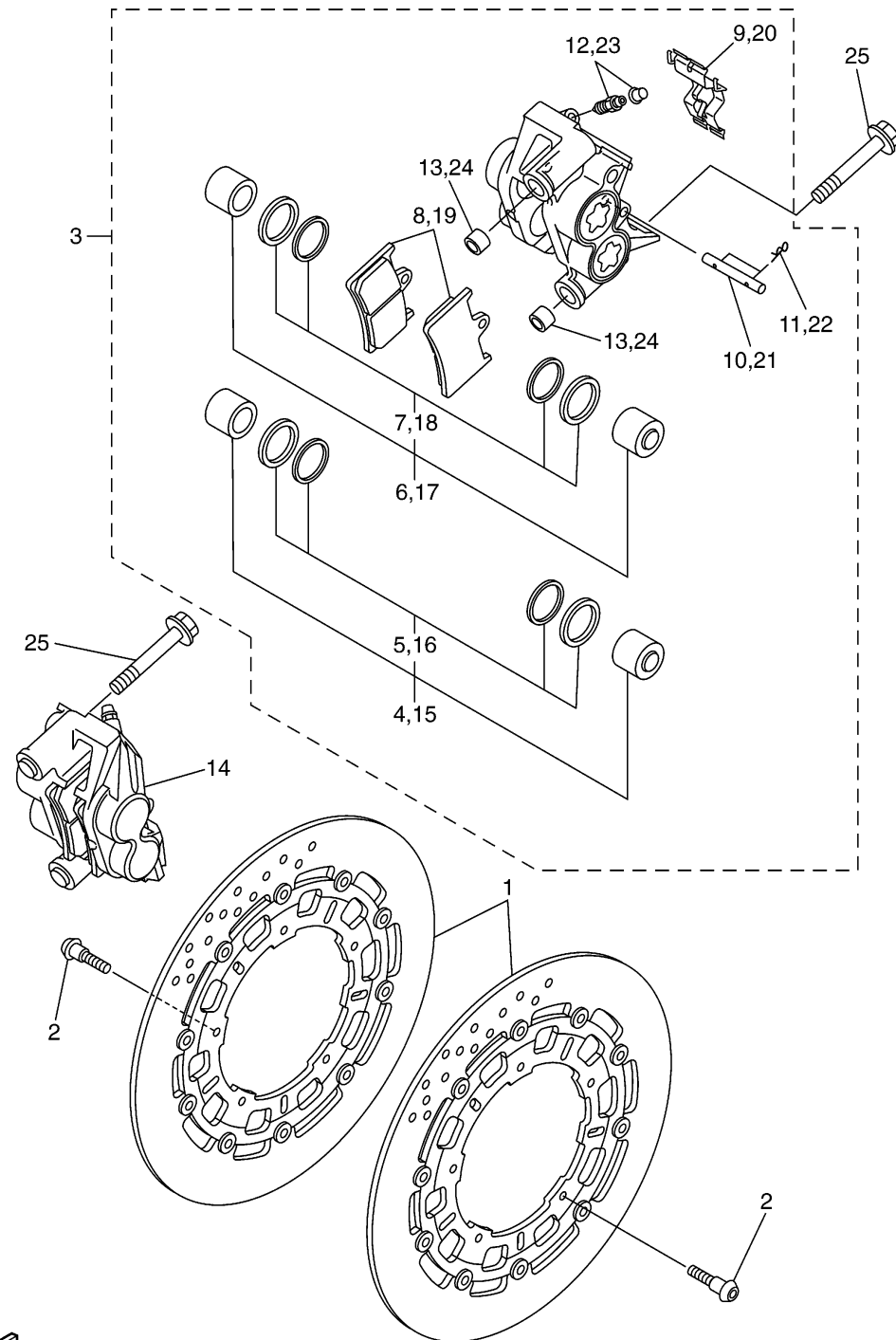


FRONT WHEEL

Ref No.	Part Number	Description	Qty	Remarks
1	5SL-25168-00-98	CAST WHEEL, FRONT	1	UR FOR DPBMC
1	5SL-25168-00-P1	CAST WHEEL, FRONT	1	UR FOR SMX, S3
2	4XV-25117-00-00	SPACER, BEARING	1	
3	93306-07208-00	BEARING	2	
4	93106-28043-00	OIL SEAL	2	
5	94112-17099-00	TIRE (120/70 ZR17M/C 58W)	1	DUNLOP
6	93900-00030-00	VALVE, RIM (TR412)	1	TAIHEIYO
7	5MT-25398-00-00	BALANCER, WHEEL (10G)	1	UR
7	5MT-25398-10-00	BALANCER, WHEEL (20G)	1	UR
7	5MT-25398-20-00	BALANCER, WHEEL (30G)	1	UR
8	2C0-25181-00-00	AXLE, WHEEL	1	
9	5PW-25188-00-00	CAP	1	
10	90105-14002-00	BOLT, FLANGE	1	
11	4XV-25186-00-00	COLLAR, WHEEL	1	
12	4XV-25118-00-00	COVER, HUB DUST	1	


5SLM332-D290

FRONT BRAKE CALIPER

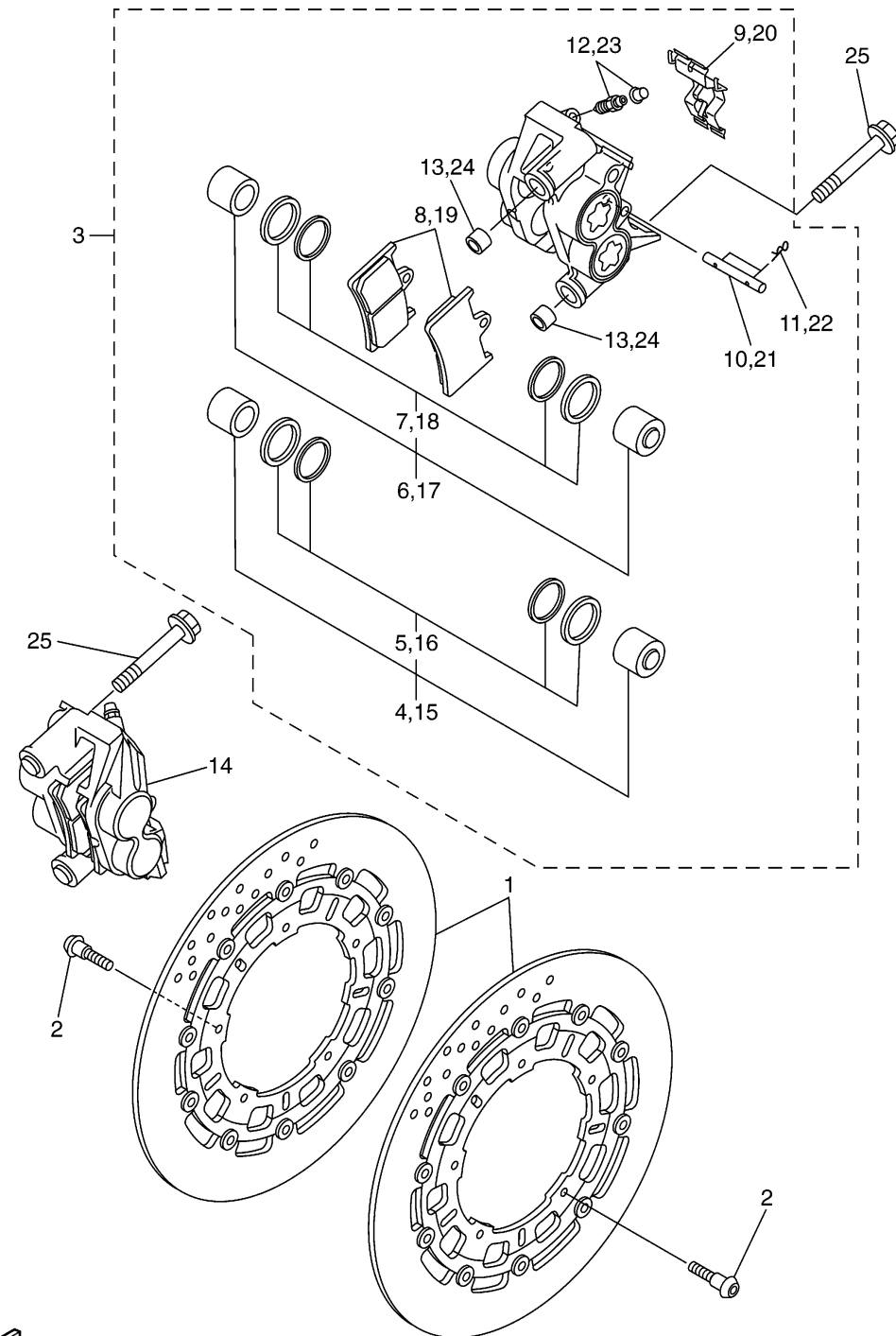


Ref No.	Part Number	Description	Qty	Remarks
1	13S-2581T-00-00	DISC BRAKE ASSY	2	
2	90149-06043-00	SCREW	10	
3	13S-2580T-00-00	CALIPER ASSY (LEFT)	1	
4	5PW-W0057-10-00	. PISTON ASSY, CALIPER	1	
5	5PW-W0047-10-00	. . CALIPER SEAL KIT	1	
6	5PW-W0057-00-00	. PISTON ASSY, CALIPER	1	
7	5PW-W0047-00-00	. . CALIPER SEAL KIT	1	
8	2C0-W0045-00-00	. BRAKE PAD KIT	1	
9	13S-25919-00-00	. SUPPORT, PAD	1	
10	4SV-25924-00-00	. PIN, PAD	1	
11	3GM-25925-00-00	. CLIP	2	
12	1J3-W0048-00-00	. BLEED SCREW KIT	1	
13	5VY-2583B-00-00	. PIN, KNOCK	2	
14	13S-2580U-00-00	CALIPER ASSY (RIGHT)	1	
15	5PW-W0057-10-00	. PISTON ASSY, CALIPER	1	
16	5PW-W0047-10-00	. . CALIPER SEAL KIT	1	
17	5PW-W0057-00-00	. PISTON ASSY, CALIPER	1	
18	5PW-W0047-00-00	. . CALIPER SEAL KIT	1	
19	2C0-W0045-00-00	. BRAKE PAD KIT	1	
20	13S-25919-00-00	. SUPPORT, PAD	1	

CONTINUED ON NEXT FRAME >

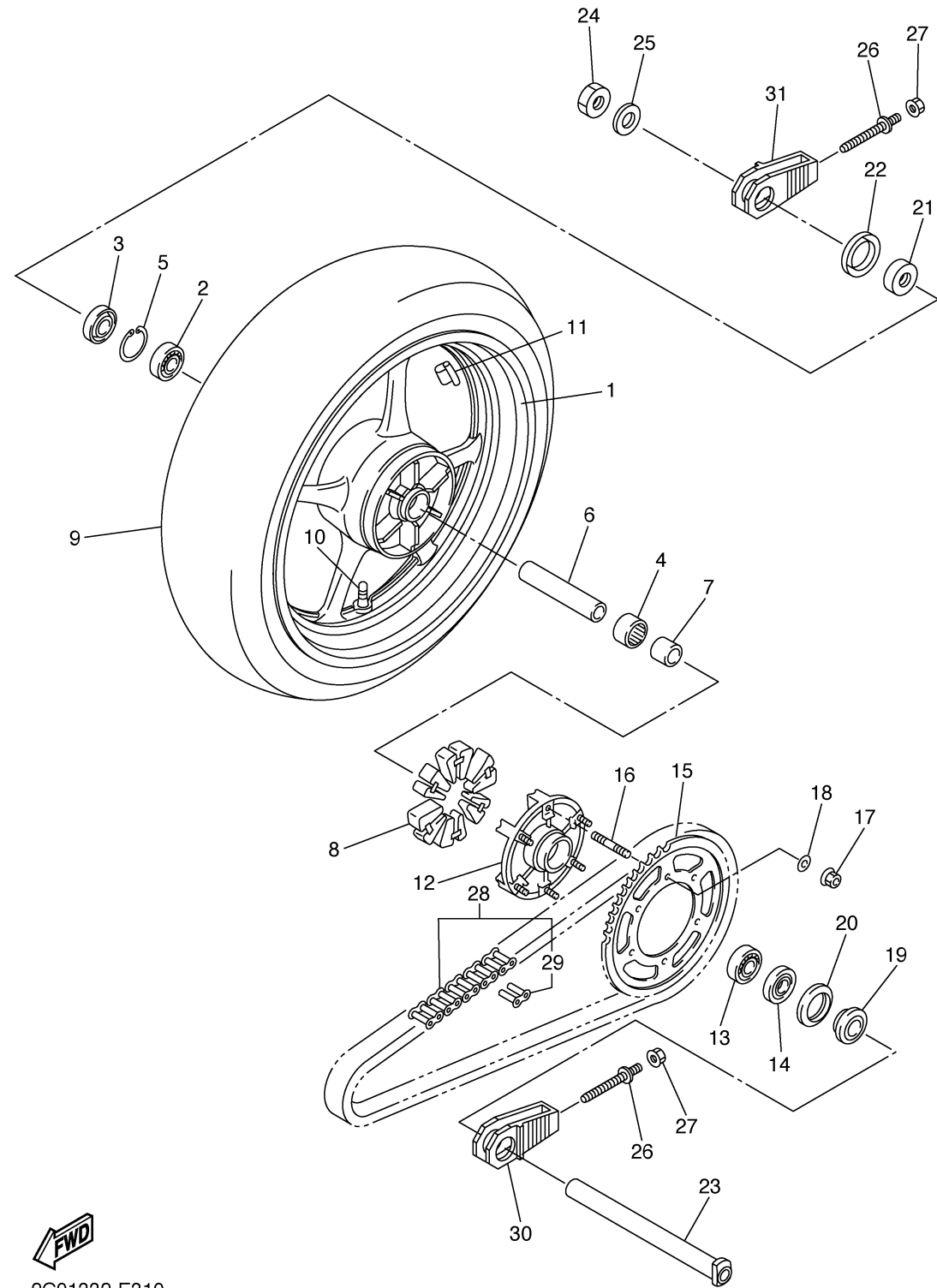

13S1300-G300

FRONT BRAKE CALIPER



Ref No.	Part Number	Description	Qty	Remarks
21	4SV-25924-00-00	. PIN, PAD	1	
22	3GM-25925-00-00	. CLIP	2	
23	1J3-W0048-00-00	. BLEED SCREW KIT	1	
24	5VY-2583B-00-00	. PIN, KNOCK	2	
25	90401-10012-00	BOLT, UNION	4	


13S1300-G300

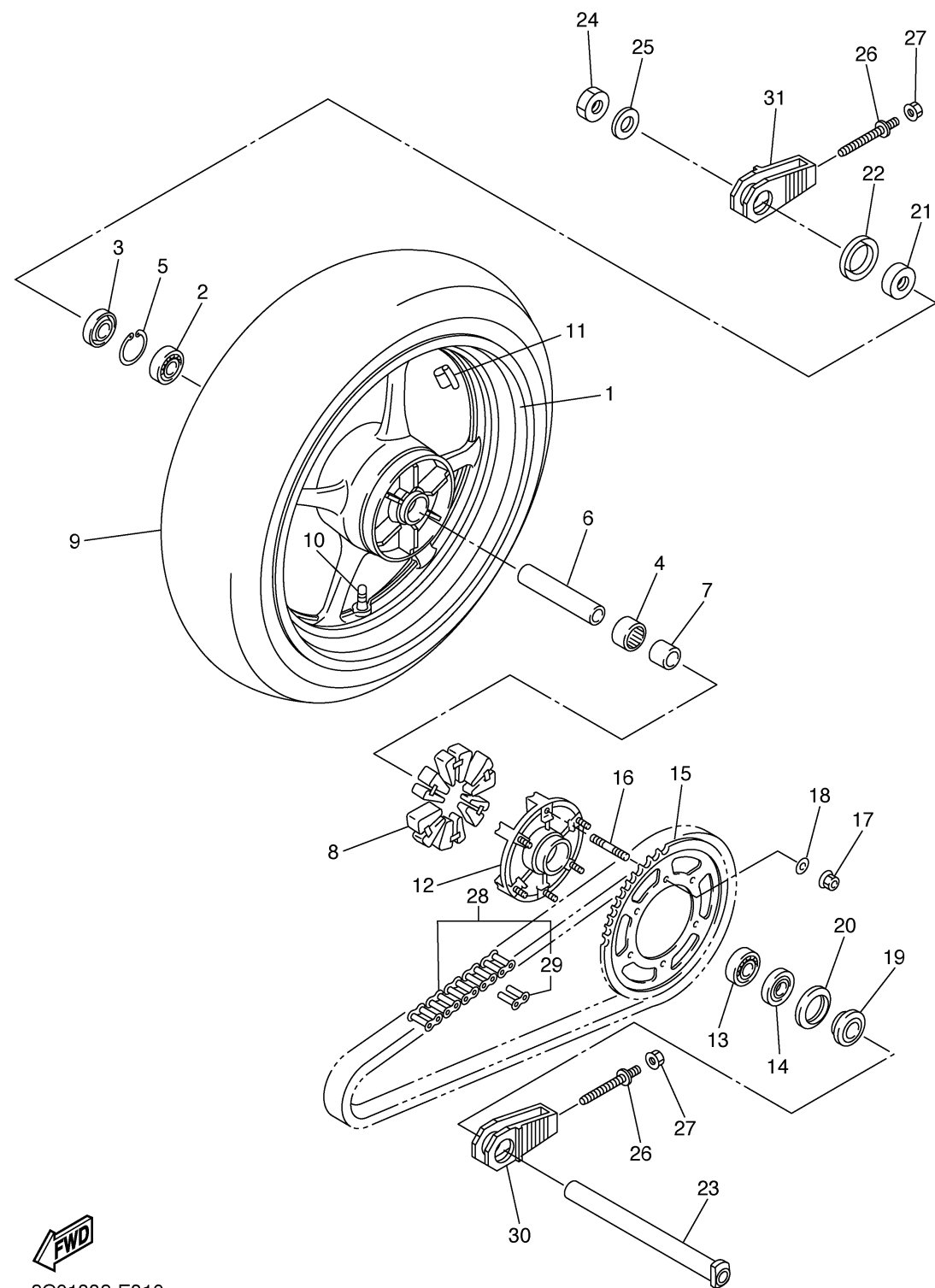


FWD
2C01332-E310

REAR WHEEL

Ref No.	Part Number	Description	Qty	Remarks
1	5SL-25338-00-98	CAST WHEEL, REAR	1	UR FOR DPBMC
1	5SL-25338-00-P1	CAST WHEEL, REAR	1	UR FOR SMX, S3
2	93306-20531-00	BEARING	1	
3	93106-40013-00	OIL SEAL	1	
4	93317-43580-00	BEARING	1	
5	93420-61M07-00	CIRCLIP	1	
6	4XV-25317-00-00	SPACER, BEARING	1	
7	5SL-25383-00-00	COLLAR, WHEEL	1	
8	2C0-25364-00-00	DAMPER	6	
9	94118-17067-00	TIRE (180/55 ZR17 M/C 73W)	1	DUNLOP
10	93900-00030-00	VALVE, RIM (TR412)	1	TAIHEIYO
11	5MT-25398-00-00	BALANCER, WHEEL (10G)	1	UR
11	5MT-25398-10-00	BALANCER, WHEEL (20G)	1	UR
11	5MT-25398-20-00	BALANCER, WHEEL (30G)	1	UR
12	5SL-25366-00-00	CLUTCH, HUB	1	
13	93306-20531-00	BEARING	1	
14	93106-40013-00	OIL SEAL	1	
15	2C0-25445-20-00	SPROCKET, DRIVEN (45T)	1	
16	90116-10485-00	BOLT, STUD	6	
17	90185-10009-00	NUT, SELF-LOCKING	6	

CONTINUED ON NEXT FRAME >

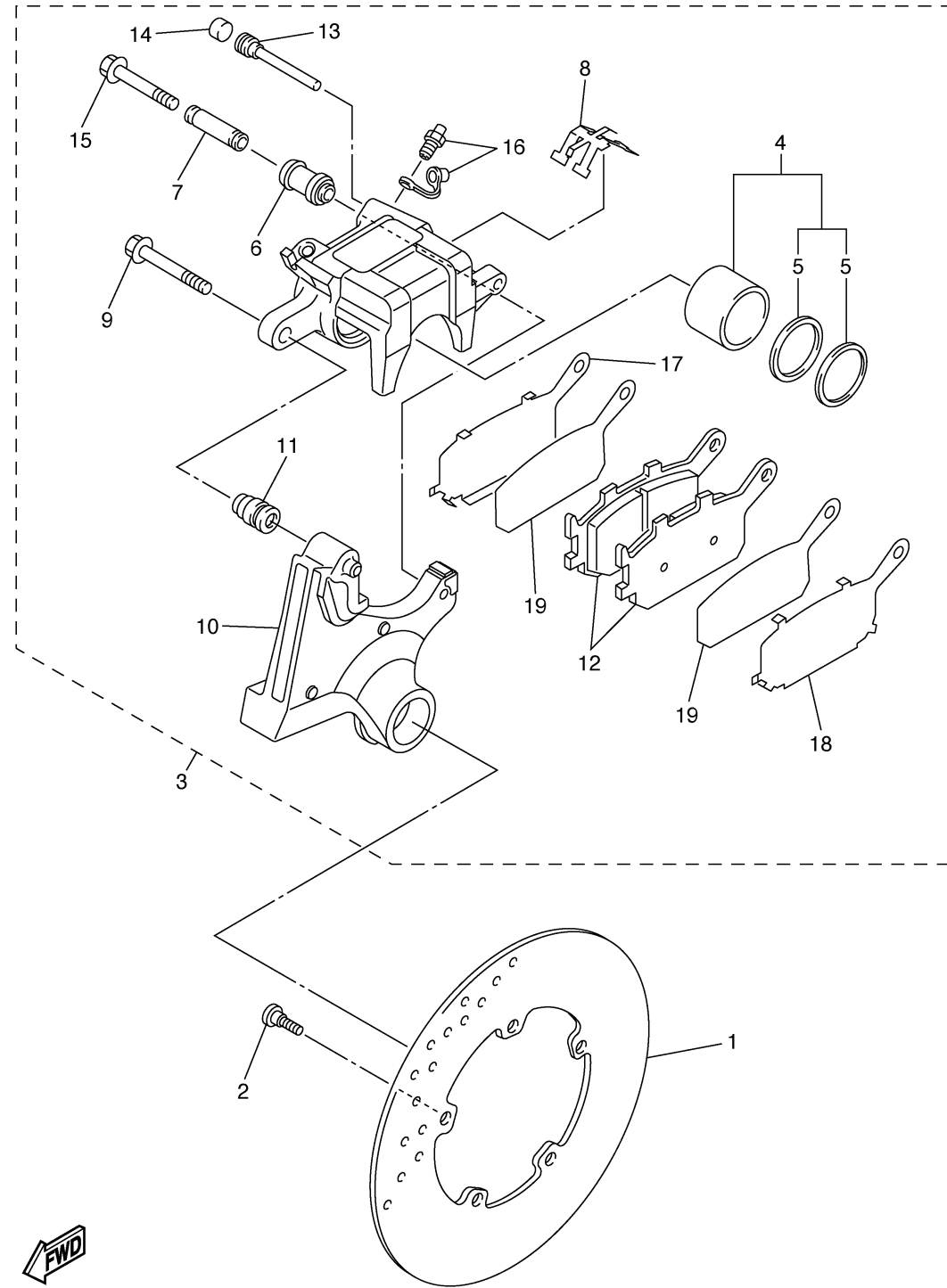



2C01332-E310

REAR WHEEL

Ref No.	Part Number	Description	Qty	Remarks
18	90201-10021-00	WASHER, PLATE	6	
19	5SL-25376-00-00	COLLAR, WHEEL	1	
20	5SL-25367-00-00	COVER, HUB DUST	1	
21	4XV-25376-00-00	COLLAR, WHEEL	1	
22	5SL-25327-00-00	COVER, PLATE	1	
23	2C0-25381-10-00	AXLE, WHEEL	1	
24	90185-24007-00	NUT, SELF-LOCKING	1	
25	90201-25020-00	WASHER, PLATE	1	
26	2C0-25379-00-00	BOLT, CHAIN PULLAR	2	
27	95604-08200-00	NUT, U FLANGE	2	
28	94582-21114-00	CHAIN (DID525V8-114)	1	
29	94682-21031-00	. JOINT, CHAIN	1	
30	2C0-25388-00-00	PULLER, CHAIN 1	1	
31	2C0-25389-00-00	PULLER, CHAIN 2	1	

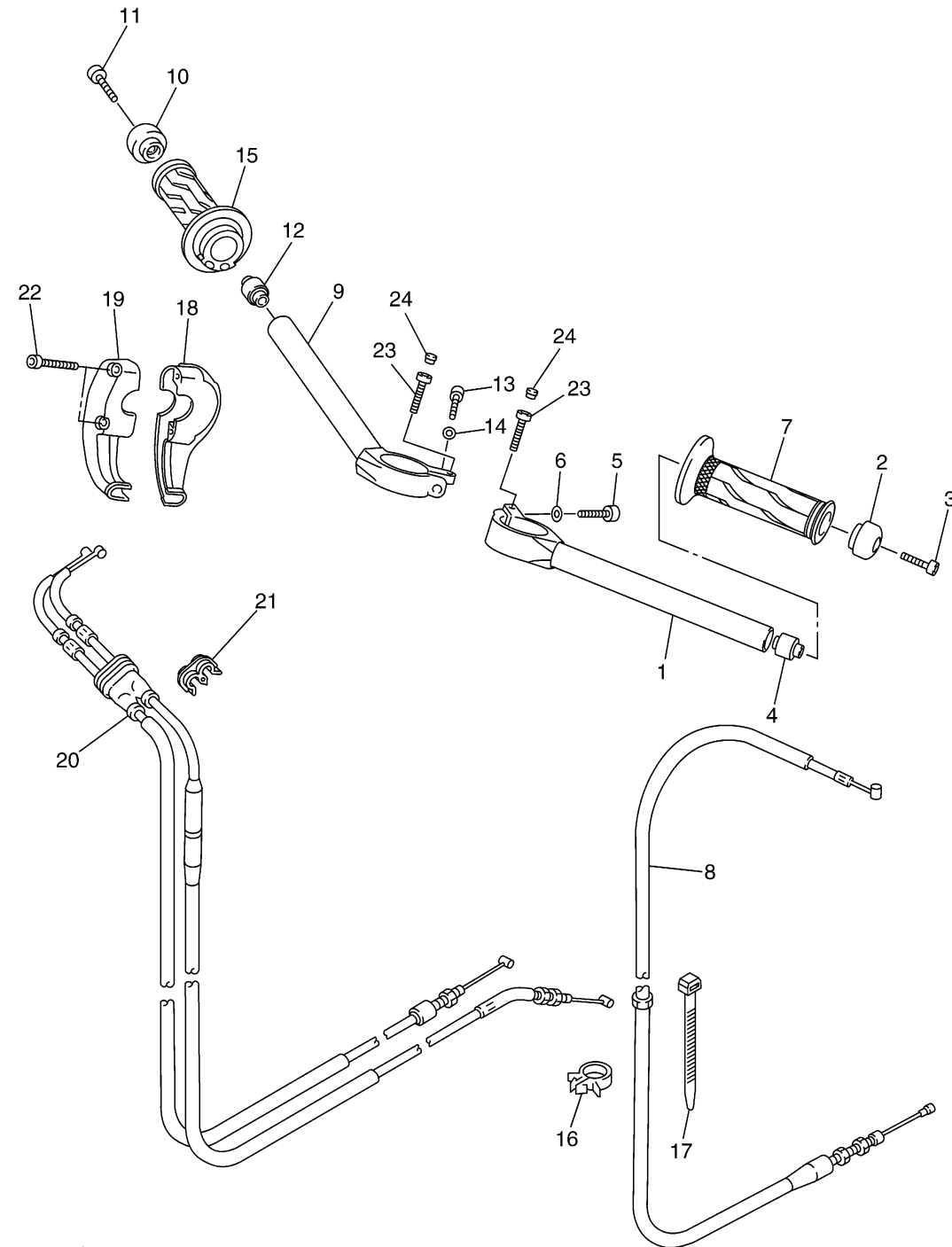
REAR BRAKE CALIPER



Ref No.	Part Number	Description	Qty	Remarks
1	5SL-2582W-00-00	DISC, REAR BRAKE 2	1	
2	90149-08009-00	SCREW	5	
3	2C0-2580W-00-00	CALIPER ASSY, REAR 2	1	
4	5VY-W0057-00-00	. PISTON ASSY, CALIPER	1	
5	5SL-W0047-00-00	. . CALIPER SEAL KIT	1	
6	5SL-25917-00-00	. BOOT, CALIPER	1	
7	5SL-25838-00-00	. SLEEVE, CALIPER	1	
8	5SL-25919-00-00	. SUPPORT, PAD	1	
9	5SL-25914-00-00	. PIN, SLIDE	1	
10	2C0-25921-00-00	. BRACKET, SUPPORT	1	
11	3JD-25917-00-00	. BOOT, CALIPER	1	
12	5VX-W0046-00-00	. BRAKE PAD KIT 2	1	
13	8CR-25924-00-00	. PIN, PAD	1	
14	5DH-25916-00-00	. PLUG	1	
15	5SL-25926-00-00	. BOLT	1	
16	1UY-W0048-00-00	. BLEED SCREW KIT	1	
17	5SL-25827-00-00	. SHIM, CALIPER	1	
18	5SL-25827-10-00	. SHIM, CALIPER	1	
19	5SL-25828-00-00	. SHIM, CALIPER	2	


2C01300-E320

STEERING HANDLE CABLE

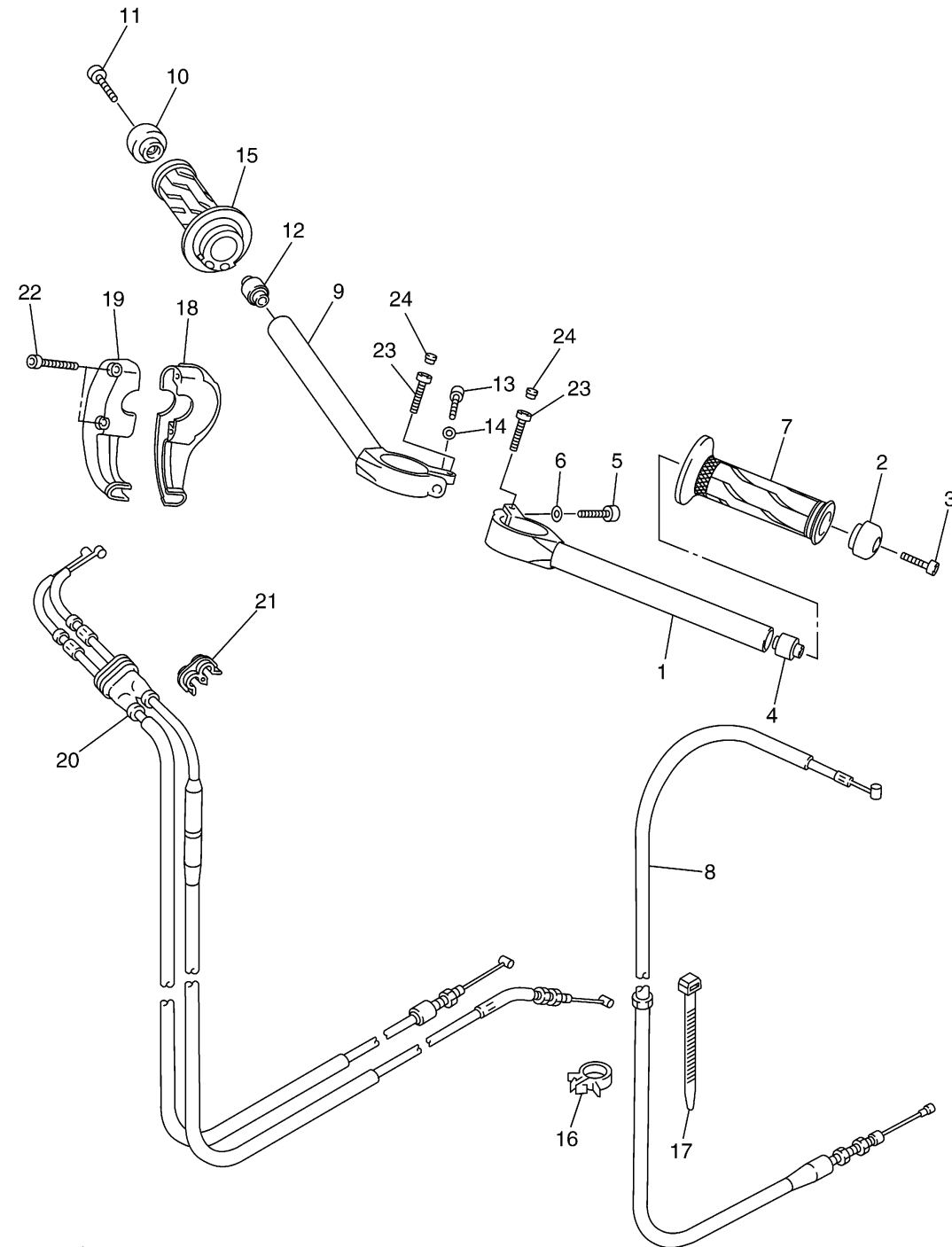


Ref No.	Part Number	Description	Qty	Remarks
1	13S-26121-00-00	HANDLEBAR (LEFT)	1	
2	4XV-26246-00-00	END, GRIP	1	
3	91312-06025-00	BOLT	1	
4	4JH-23434-00-00	HOLDER, DAMPER	1	
5	91314-08030-00	BOLT	1	
6	90201-08452-00	WASHER, PLATE	1	
7	2C0-26241-00-00	GRIP	1	
8	2C0-26335-00-00	CABLE, CLUTCH	1	
9	13S-26122-00-00	HANDLEBAR (RIGHT)	1	
10	4XV-26246-00-00	END, GRIP	1	
11	91312-06025-00	BOLT	1	
12	4JH-23434-00-00	HOLDER, DAMPER	1	
13	91314-08030-00	BOLT	1	
14	90201-08452-00	WASHER, PLATE	1	
15	2C0-26240-00-00	GRIP ASSY	1	
16	90464-15157-00	CLAMP	1	
17	90464-15195-00	CLAMP	1	
18	5VY-26281-00-00	CAP, GRIP UPPER	1	
19	2C0-26282-00-00	CAP, GRIP UNDER	1	
20	13S-26302-00-00	THROTTLE CABLE ASSY	1	

CONTINUED ON NEXT FRAME >


13S1300-G330

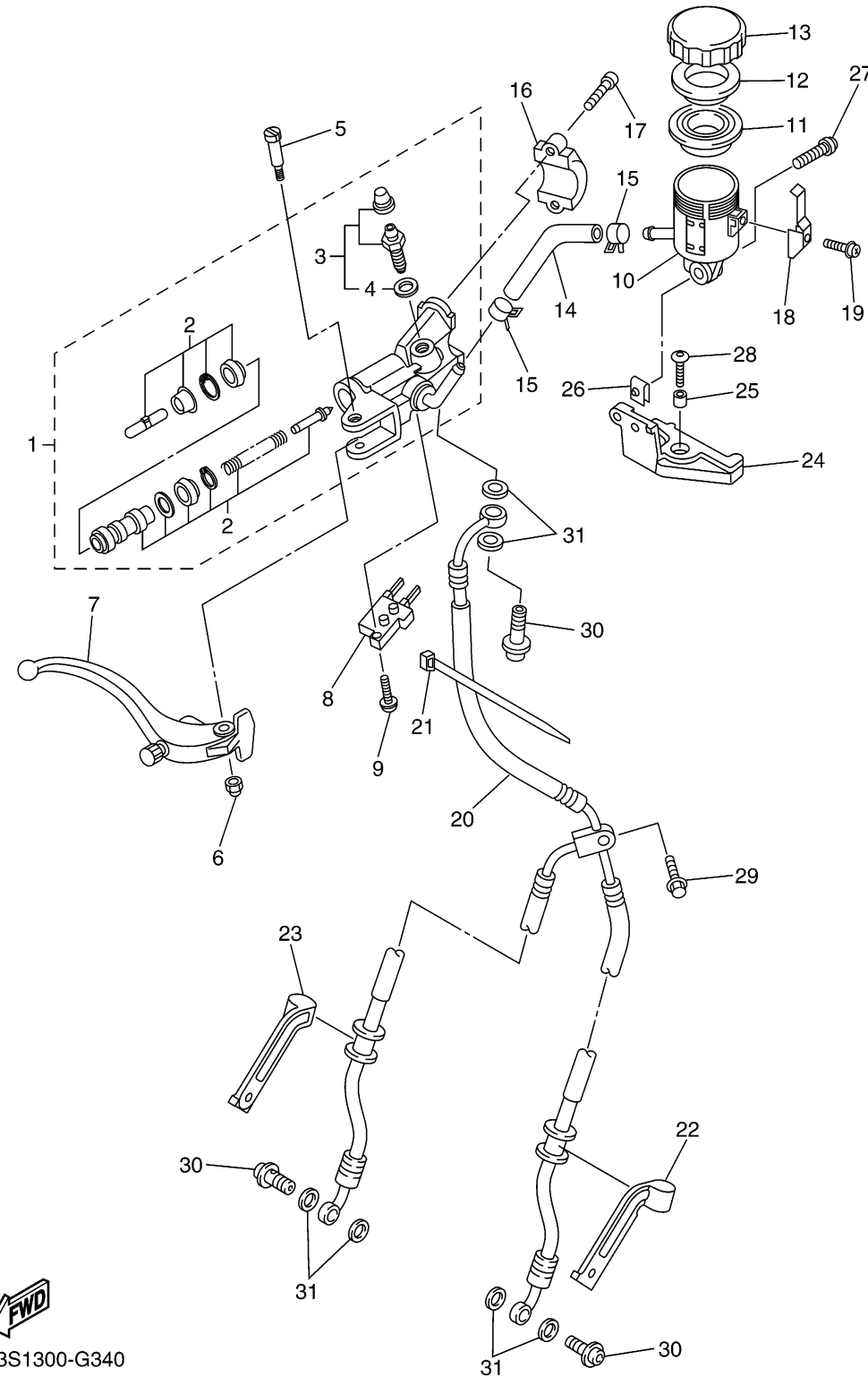
STEERING HANDLE CABLE



Ref No.	Part Number	Description	Qty	Remarks
21	90464-04001-00	CLAMP	1	
22	90110-05018-00	BOLT, HEXAGON SOCKET HEAD	2	
23	91312-06030-00	BOLT	2	
24	2H9-23469-00-00	CAP, BOLT	2	


13S1300-G330

FRONT MASTER CYLINDER

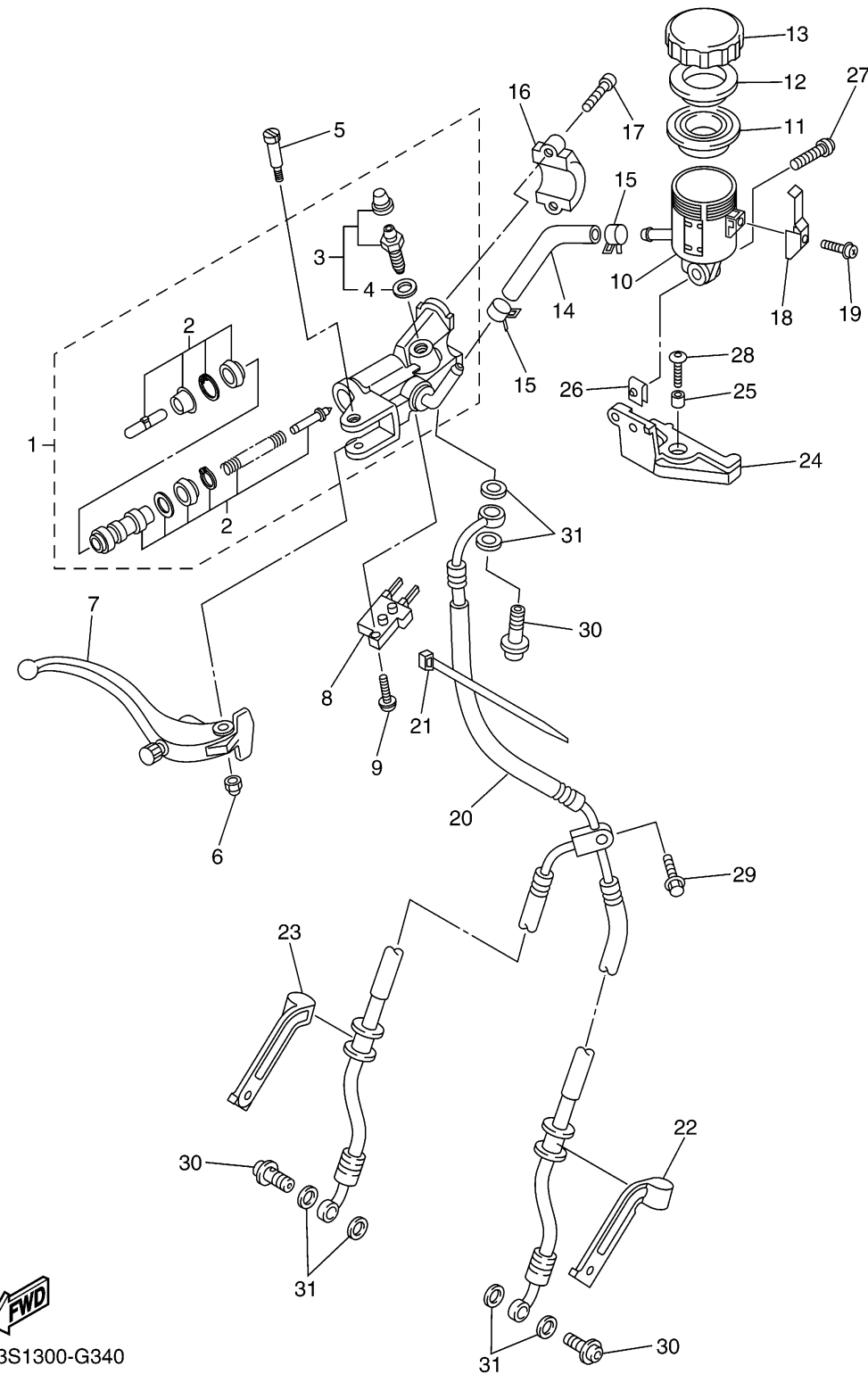


Ref No.	Part Number	Description	Qty	Remarks
1	5SL-W2587-00-00	MASTER CYLINDER SUB ASSY	1	
2	5VY-W0041-00-00	. CYLINDER KIT, MASTER	1	
3	5VY-W0048-00-00	. BLEED SCREW KIT	1	
4	5VY-25975-00-00	.. SEAL 1	1	
5	5VY-2589F-01-00	BOLT, LEVER	1	
6	5VS-2586F-00-00	NUT, COVER	1	
7	5SL-83922-10-00	LEVER 2	1	
8	4HM-83980-00-00	FRONT STOP SWITCH ASSY	1	
9	5VS-2585H-00-00	SCREW, SET	1	
10	5SL-25894-20-00	TANK, RESERVOIR	1	
11	5VY-25854-00-00	GASKET, DIAPHRAGM	1	
12	5VY-25855-00-00	BUSH, DIAPHRAGM	1	
13	5VY-25852-00-00	CAP, RESERVOIR	1	
14	13S-2589E-00-00	HOSE	1	
15	90467-120A3-00	CLIP	2	
16	5VS-25867-00-00	HOLDER	1	
17	5VS-26332-00-00	BOLT	2	
18	5VY-2589G-00-00	HOLDER	1	
19	5VY-2589H-00-00	SCREW	1	
20	13S-25872-00-00	HOSE, BRAKE 1	1	

CONTINUED ON NEXT FRAME >


13S1300-G340

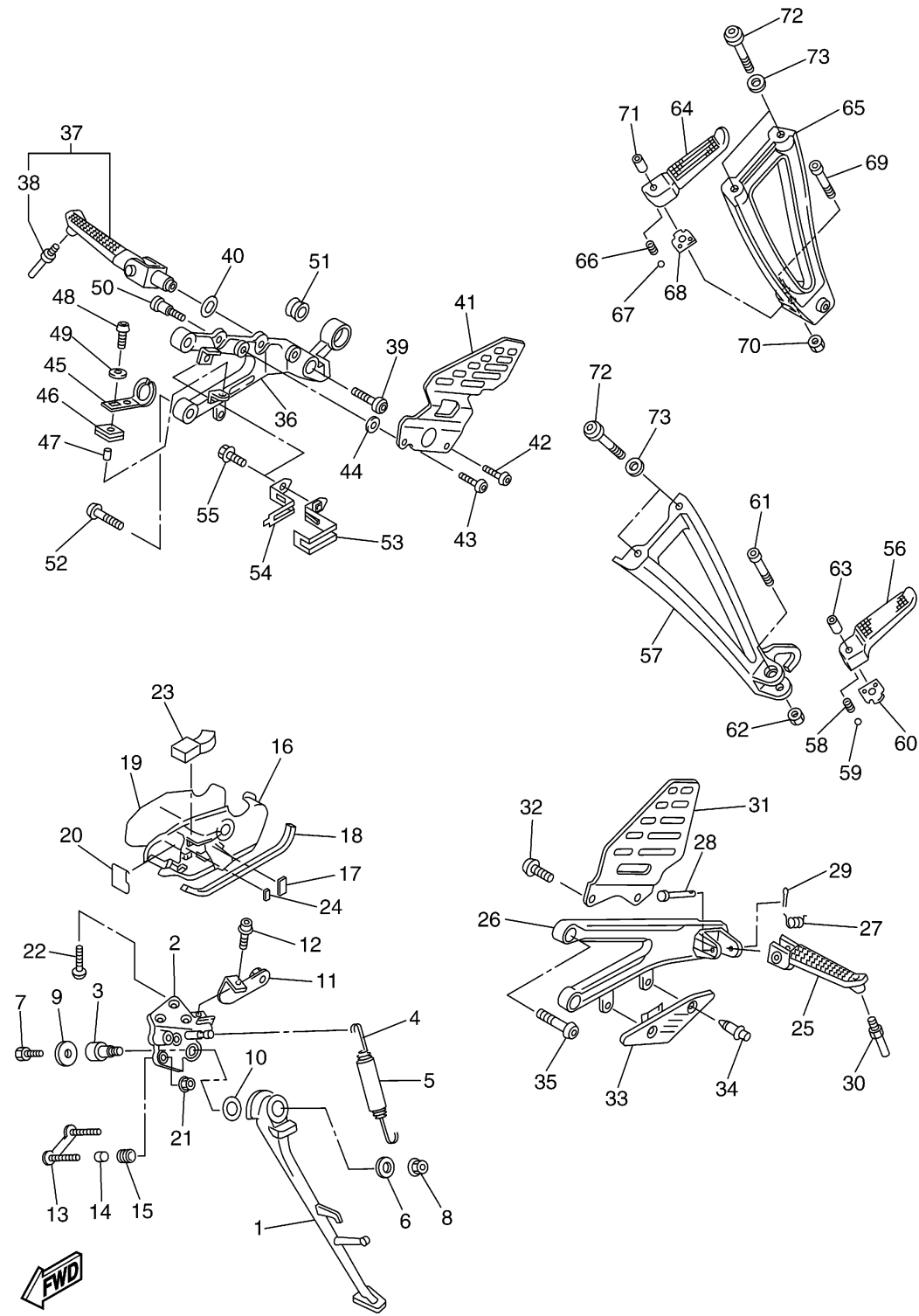
FRONT MASTER CYLINDER



Ref No.	Part Number	Description	Qty	Remarks
21	3MA-82591-00-00	BAND	1	
22	2C0-25886-00-00	HOLDER, BRAKE HOSE	1	
23	13S-25887-00-00	HOLDER, BRAKE HOSE	1	
24	13S-26292-00-00	STAY	1	
25	90387-06057-00	COLLAR	1	
26	90183-050A0-00	NUT, SPRING	1	
27	90111-05025-00	BOLT, HEX. SOCKET BUTTON	1	
28	90111-06041-00	BOLT, HEX. SOCKET BUTTON	1	
29	90105-06041-00	BOLT, FLANGE	1	
30	90401-10172-00	BOLT, UNION	3	
31	90430-10005-00	GASKET	6	


13S1300-G340

STAND FOOTREST

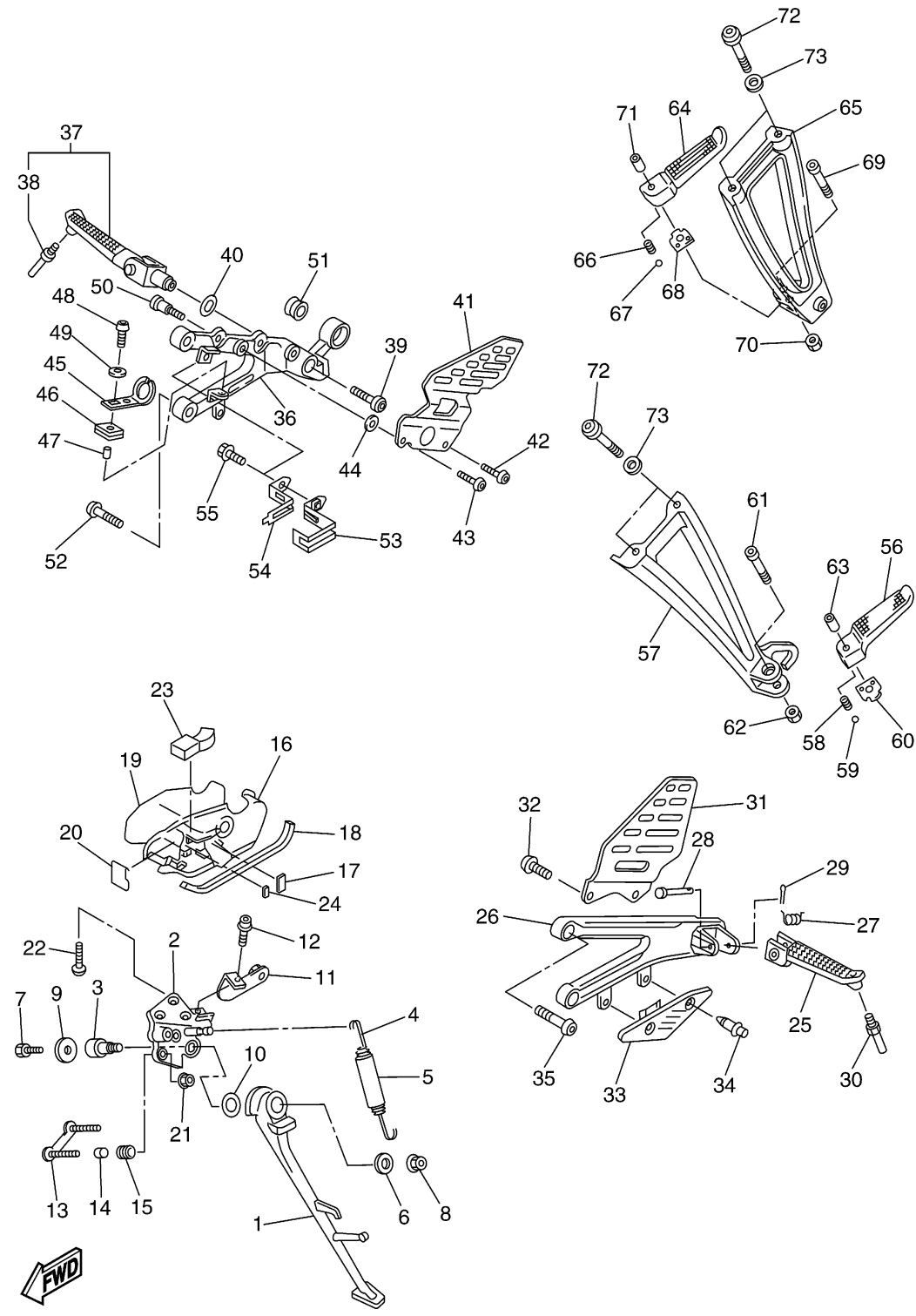


13S1300-G350

Ref No.	Part Number	Description	Qty	Remarks
1	2C0-27311-00-00	STAND, SIDE	1	
2	2C0-27321-00-00	BRACKET, SIDE STAND	1	
3	2C0-27351-00-00	GUIDE, SIDE STAND	1	
4	90506-18008-00	SPRING, TENSION	1	
5	90445-19002-00	HOSE (L60)	1	
6	90201-10035-00	WASHER, PLATE	1	
7	90101-08662-00	BOLT	1	
8	95602-10200-00	NUT, U FLANGE	1	
9	90201-08050-00	WASHER, PLATE	1	
10	90201-146F9-00	WASHER, PLATE	1	
11	13S-2836F-00-00	BRACKET 3	1	
12	90105-06020-00	BOLT, FLANGE	1	
13	2C0-27263-00-00	BRACKET 1	1	
14	90387-05025-00	COLLAR	2	
15	90480-11006-00	GROMMET	2	
16	2C0-27453-00-00	COVER 1	1	
17	2C0-27414-00-00	DAMPER, FOOTREST	1	
18	2C0-27415-00-00	PLATE, FOOTREST	1	
19	2C0-28428-00-00	SEAL 1	1	
20	2C0-28429-00-00	SEAL 2	1	

CONTINUED ON NEXT FRAME >

STAND FOOTREST

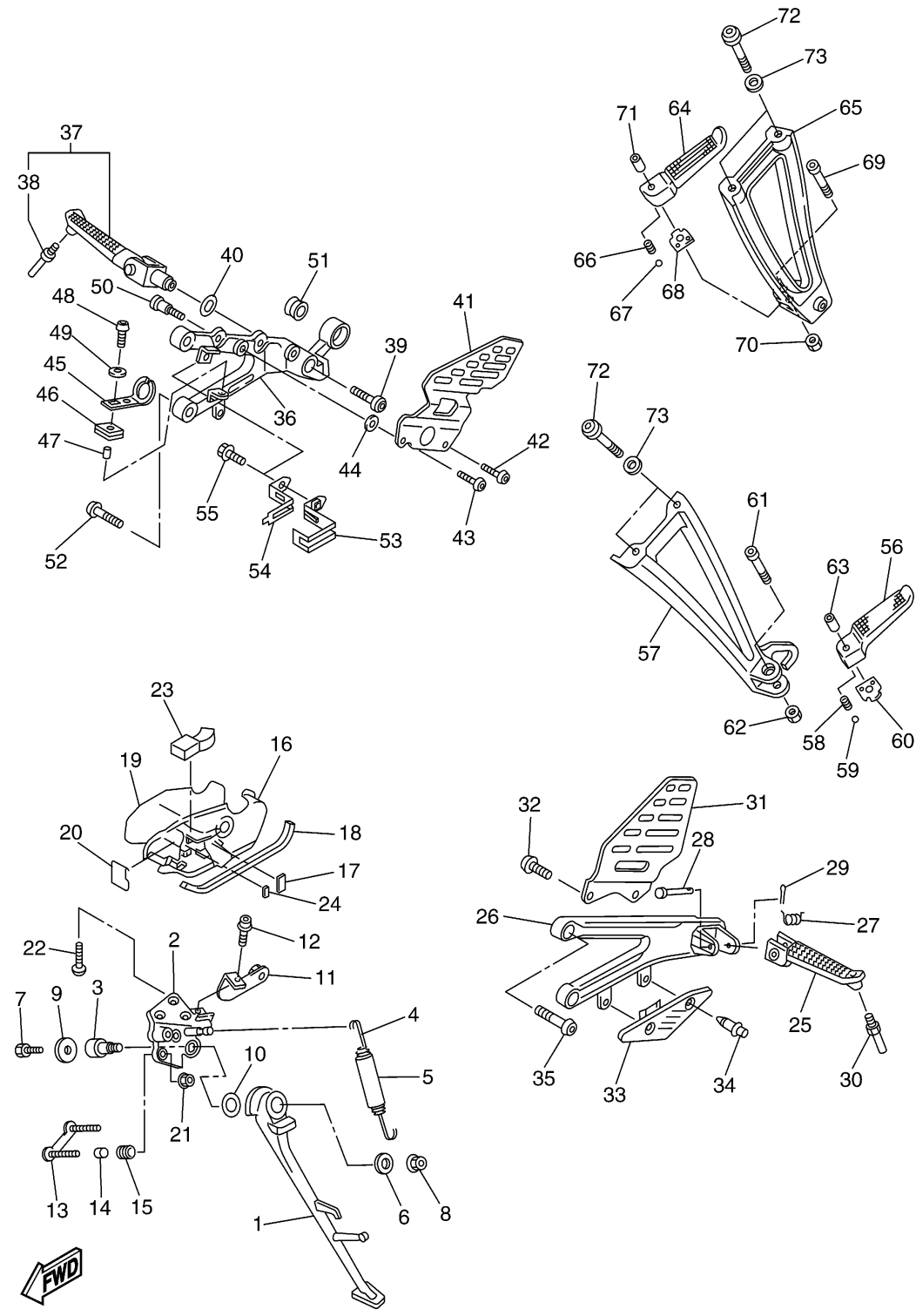


13S1300-G350

Ref No.	Part Number	Description	Qty	Remarks
21	90185-05009-00	NUT, SELF-LOCKING	2	
22	90111-08065-00	BOLT,HEX. SOCKET BUTTON	3	
23	2C0-28425-00-00	DAMPER 3	1	
24	2C0-21485-00-00	DAMPER, RUBBER 1	1	
25	2C0-27451-00-00	FOOTREST	1	
26	2C0-27442-00-00	BRACKET 2	1	
27	90508-18134-00	SPRING, TORSION	1	
28	90240-08084-00	PIN, CLEVIS	1	
29	91402-25015-00	PIN, COTTER	1	
30	2C0-27435-00-00	BOLT	1	
31	2C0-27445-00-00	PLATE 1	1	
32	90149-06233-00	SCREW	2	
33	2C0-27491-00-00	PROTECTOR	1	
34	90269-06008-00	RIVET	2	
35	90109-085G6-00	BOLT	2	
36	2C0-27443-00-00	BRACKET 3	1	
37	2C0-27420-00-00	FRONT FOOTREST ASSY (RIGHT)	1	
38	2C0-27435-00-00	. BOLT	1	
39	90109-103A9-00	BOLT	1	
40	90214-13002-00	WASHER, CLAW	1	

CONTINUED ON NEXT FRAME >

STAND FOOTREST

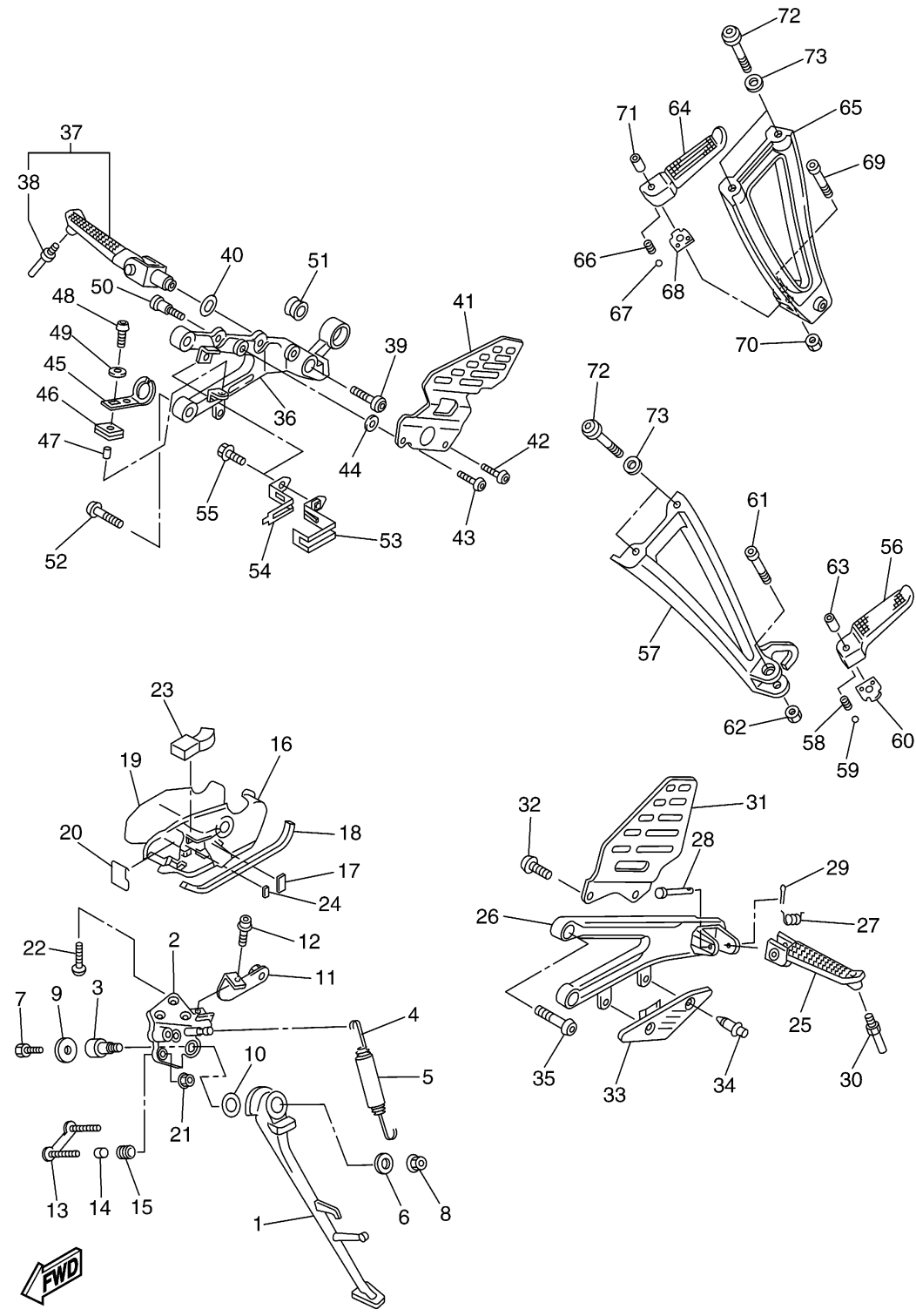


13S1300-G350

Ref No.	Part Number	Description	Qty	Remarks
41	13S-27446-00-00	PLATE 2	1	
42	90149-06233-00	SCREW	1	
43	90111-06067-00	BOLT, HEX. SOCKET BUTTON	1	
44	90387-06215-00	COLLAR	1	
45	13S-2144G-00-00	STAY, STOP SWITCH	1	
46	90480-12607-00	GROMMET	1	
47	90387-06023-00	COLLAR	1	
48	92017-06016-00	BOLT, BUTTON HEAD	1	
49	90201-06380-00	WASHER, PLATE	1	
50	90109-066F0-00	BOLT	2	
51	5VY-14747-00-00	DAMPER, MUFFLER	1	
52	90109-085G6-00	BOLT	2	
53	2C0-2116K-00-00	BRACKET 8	1	
54	2C0-2116L-00-00	BRACKET 9	1	
55	95024-06012-00	BOLT, FLANGE	1	
56	5JJ-27431-00-00	FOOTREST, REAR 1	1	
57	2C0-2741L-00-00	BRACKET 4	1	
58	90501-12743-00	SPRING, COMPRESSION	1	
59	93501-04011-00	BALL	1	
60	5JJ-27437-01-00	WASHER, SPECIAL	1	

CONTINUED ON NEXT FRAME >

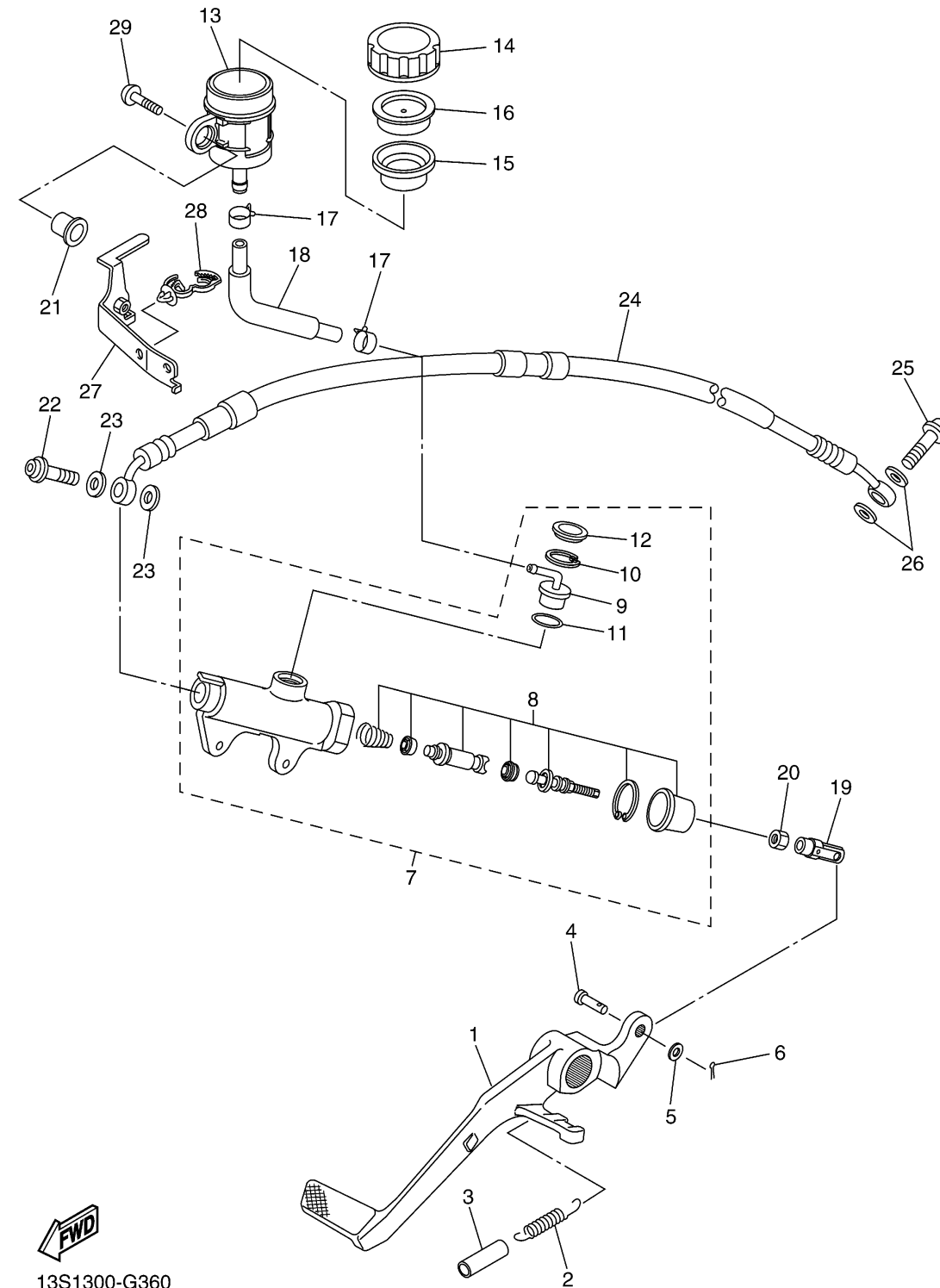
STAND FOOTREST



13S1300-G350

Ref No.	Part Number	Description	Qty	Remarks
61	91314-06035-00	BOLT	1	
62	95604-06200-00	NUT, U FLANGE	1	
63	90387-06697-00	COLLAR	1	
64	5JJ-27441-00-00	FOOTREST, REAR 2	1	
65	2C0-2742L-00-00	BRACKET 5	1	
66	90501-12743-00	SPRING, COMPRESSION	1	
67	93501-04011-00	BALL	1	
68	5JJ-27437-01-00	WASHER, SPECIAL	1	
69	91314-06035-00	BOLT	1	
70	95604-06200-00	NUT, U FLANGE	1	
71	90387-06697-00	COLLAR	1	
72	90111-08066-00	BOLT, HEX. SOCKET BUTTON	4	
73	13S-27417-00-00	WASHER, FOOTREST	4	

REAR MASTER CYLINDER

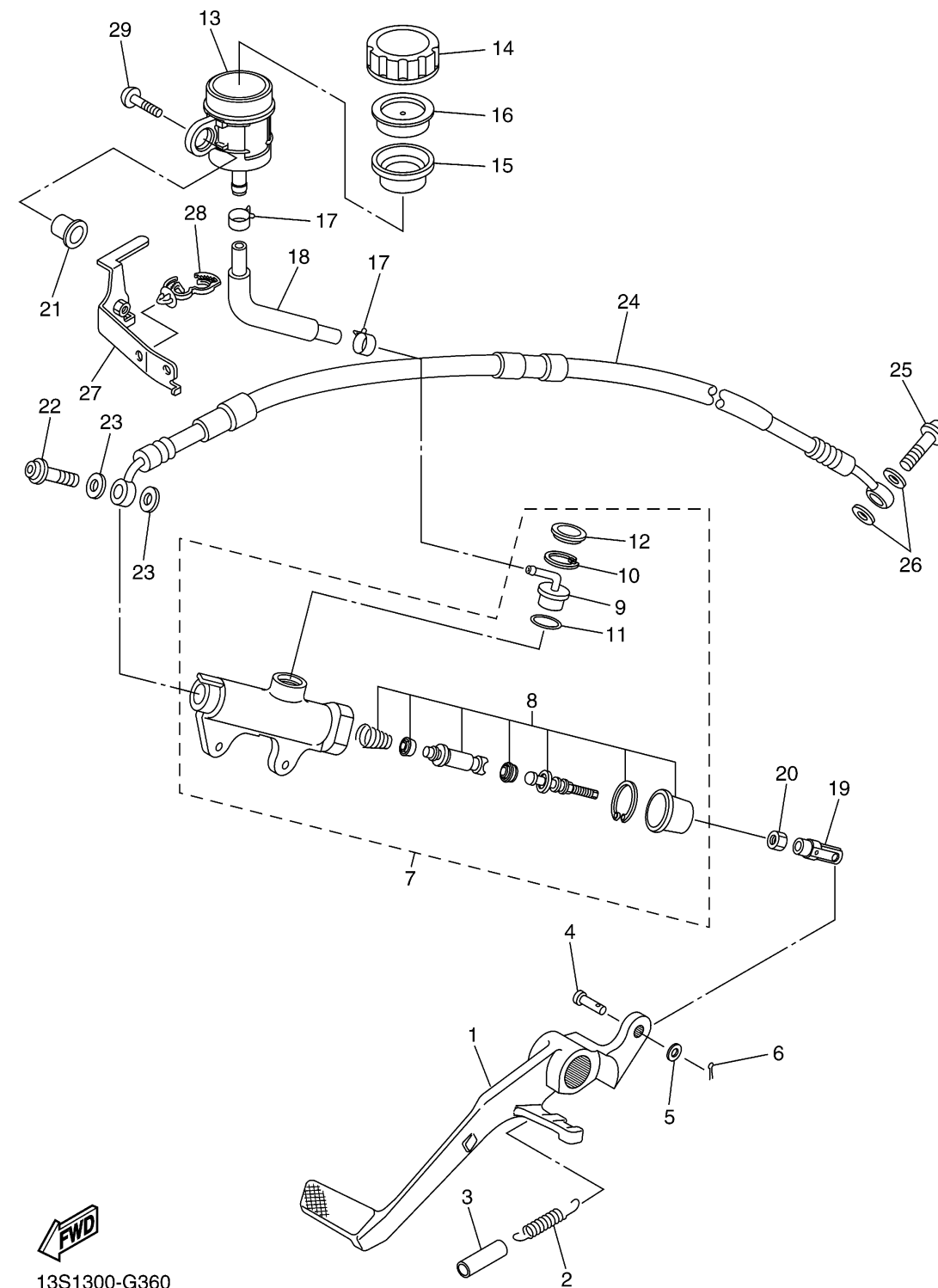


Ref No.	Part Number	Description	Qty	Remarks
1	2C0-27211-00-00	PEDAL, BRAKE	1	
2	90506-20193-00	SPRING, TENSION	1	
3	90446-15386-00	HOSE	1	
4	91702-06018-00	PIN, CLEVIS	1	
5	92907-06200-00	WASHER	1	
6	91402-16012-00	PIN, COTTER	1	
7	2C0-2583V-01-00	RR. MASTER CYLINDER ASSY.	1	
8	5XT-W0042-60-00	. CYLINDER KIT, MASTER	1	
9	4ML-2582A-50-00	. JOINT	1	
10	2VN-25866-00-00	. CIRCLIP	1	
11	93210-15620-00	. O-RING	1	
12	3FV-2589A-00-00	. COVER, DUST	1	
13	2C0-25894-00-00	TANK, RESERVOIR	1	
14	4PX-25852-00-00	CAP, RESERVOIR	1	
15	2VN-25854-00-00	GASKET, DIAPHRAGM	1	
16	2VN-25855-00-00	BUSH, DIAPHRAGM	1	
17	90467-12085-00	CLIP	2	
18	2C0-25895-00-00	HOSE, RESERVOIR	1	
19	4XV-27222-01-00	JOINT	1	
20	95307-08700-00	NUT	1	

CONTINUED ON NEXT FRAME >

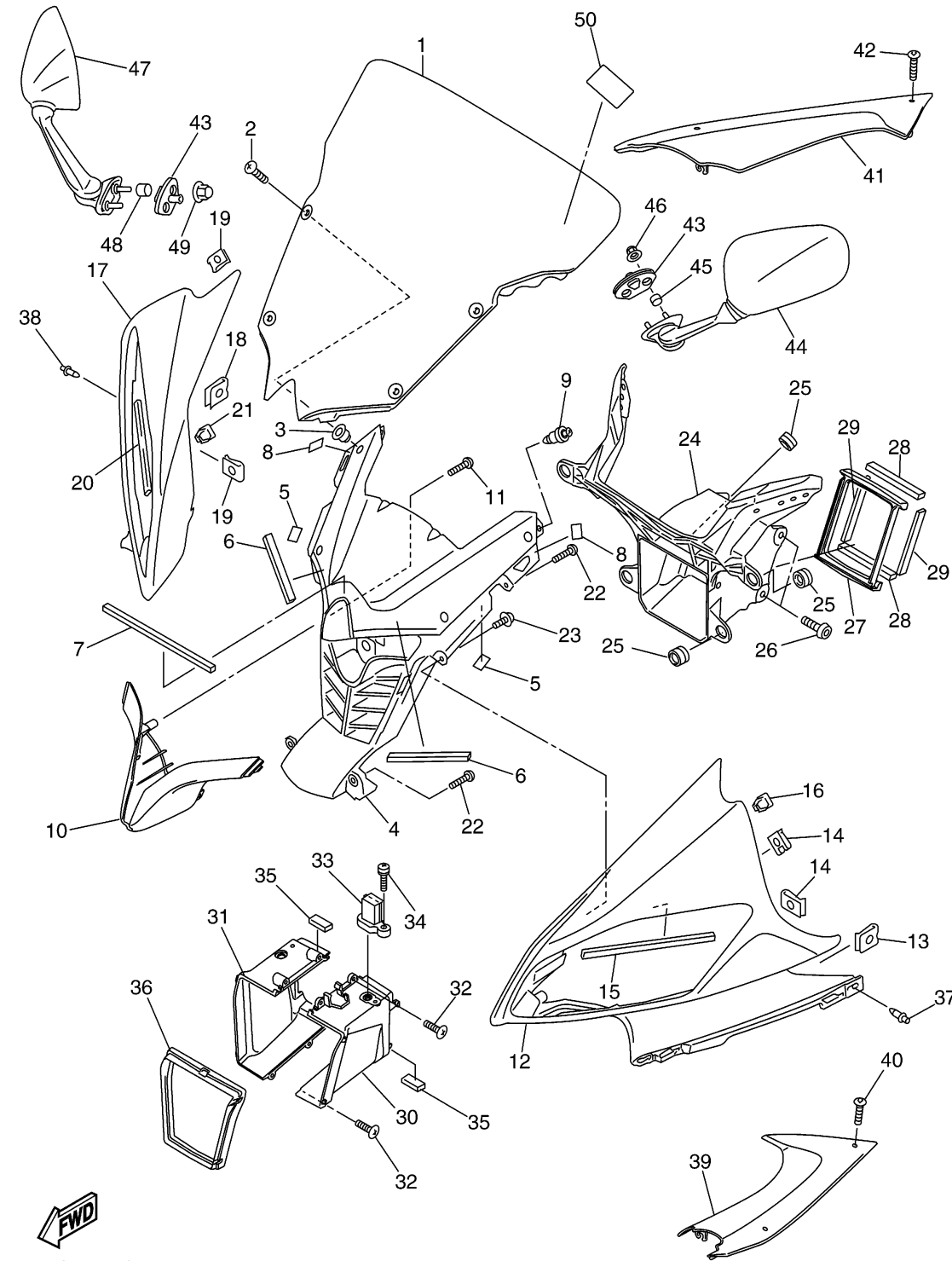

13S1300-G360

REAR MASTER CYLINDER



Ref No.	Part Number	Description	Qty	Remarks
21	90387-05028-00	COLLAR	1	
22	90401-10172-00	BOLT, UNION	1	
23	90430-10005-00	GASKET	2	
24	2C0-25874-00-00	HOSE, BRAKE	1	
25	90401-10172-00	BOLT, UNION	1	
26	90430-10005-00	GASKET	2	
27	13S-21228-00-00	BRACKET, RESERVE TANK	1	
28	90464-13249-00	CLAMP	1	
29	90111-05026-00	BOLT, HEX. SOCKET BUTTON	1	

FWD
13S1300-G360

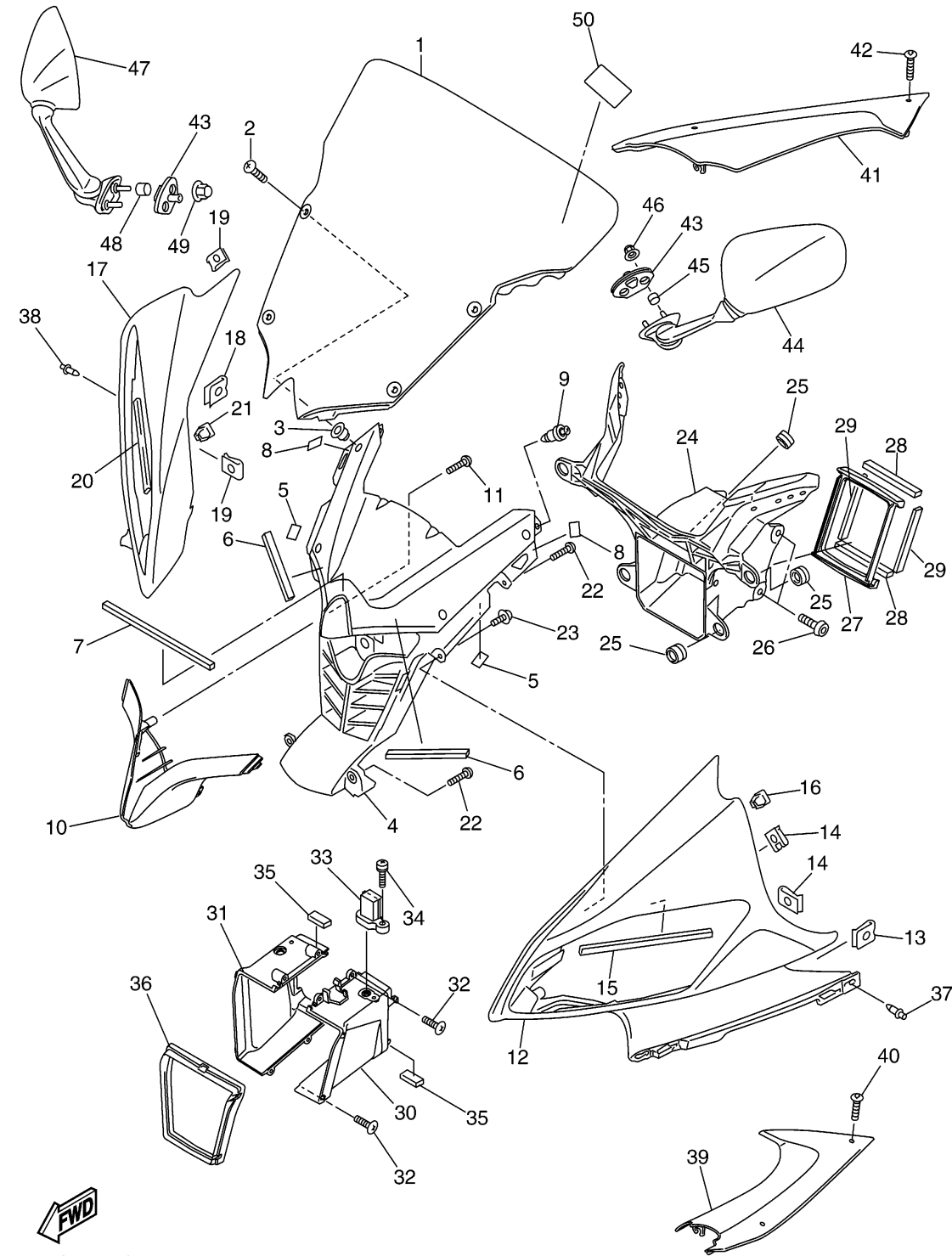


13S7110-G370

COWLING 1

Ref No.	Part Number	Description	Qty	Remarks
1	13S-28381-10-00	WINDSHIELD	1	
2	90150-05023-00	SCREW, ROUND HEAD	4	
3	90179-05523-00	NUT	4	
4	13S-2836K-00-00	PANEL, INNER 1	1	
5	3P6-28217-00-00	DAMPER 1	2	
6	13S-28227-00-00	DAMPER 2	2	
7	13S-28237-00-00	DAMPER 3	1	
8	13S-28371-00-00	DAMPER	2	
9	90269-06046-00	RIVET	2	
10	13S-28365-00-P0	COVER	1	MBL2
11	97702-40016-00	SCREW, TAPPING	2	
12	13S-2835G-00-P0	BODY, FRONT UPPER 1	1	UR FOR DPBMC
12	13S-2835G-00-P3	BODY, FRONT UPPER 1	1	UR FOR SMX
12	13S-2835G-00-P4	BODY, FRONT UPPER 1	1	UR FOR S3
13	90183-05076-00	NUT, SPRING	1	
14	90183-05042-00	NUT, SPRING	2	
15	2C0-28455-00-00	DAMPER, 4	1	
16	90480-01605-00	GROMMET	1	
17	13S-2835H-00-P0	BODY, FRONT UPPER 2	1	UR FOR DPBMC
17	13S-2835H-00-P3	BODY, FRONT UPPER 2	1	UR FOR SMX

CONTINUED ON NEXT FRAME >

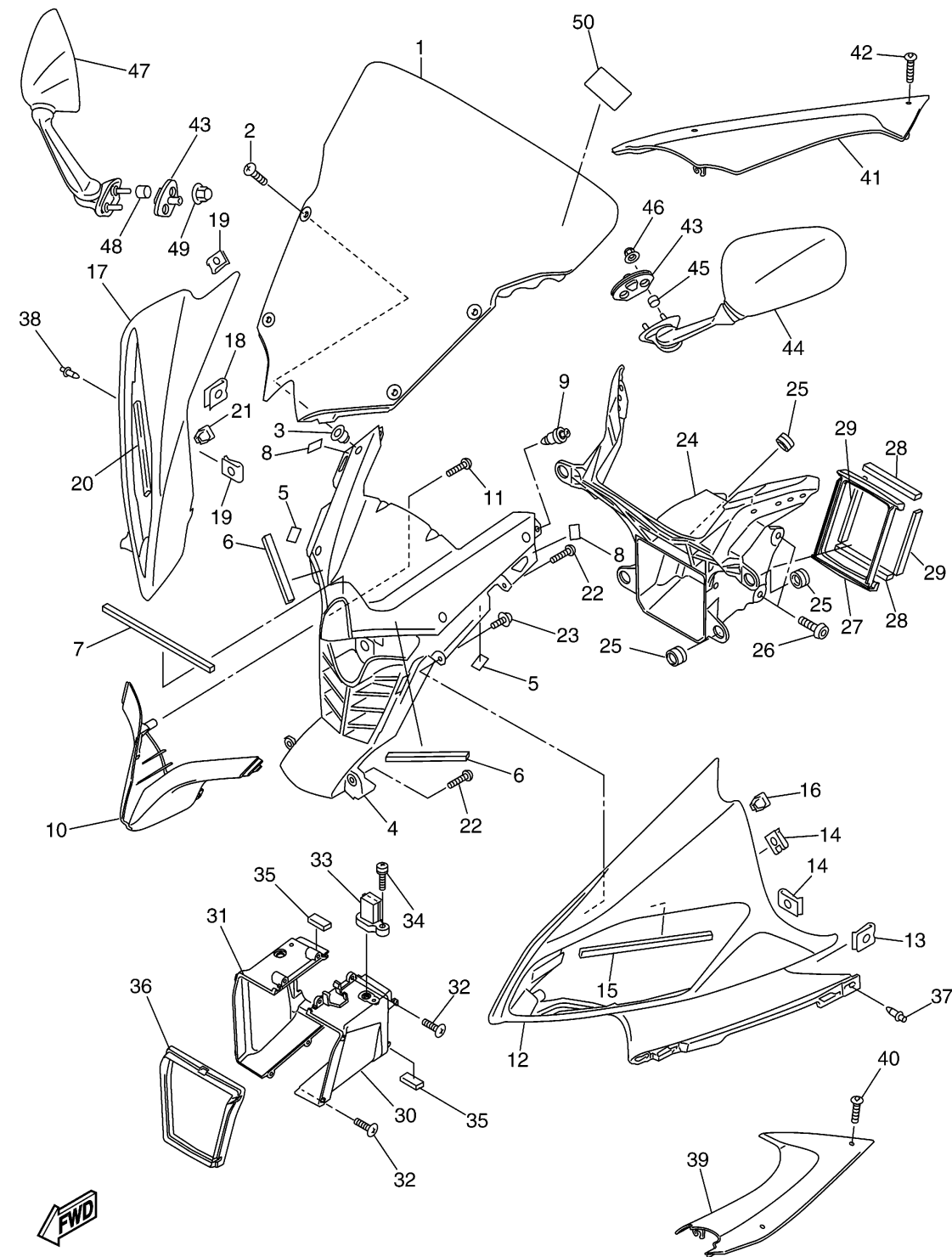


FWD
13S7110-G370

COWLING 1

Ref No.	Part Number	Description	Qty	Remarks
17	13S-2835H-00-P4	BODY, FRONT UPPER 2	1	UR FOR S3
18	90183-05076-00	NUT, SPRING	1	
19	90183-05042-00	NUT, SPRING	2	
20	2C0-28455-00-00	DAMPER, 4	1	
21	90480-01605-00	GROMMET	1	
22	97707-50016-00	SCREW, TRUSS HEAD TAPPING	4	
23	97707-40012-00	SCREW, TAPPING	2	
24	13S-28356-00-00	STAY 1	1	
25	4XV-83513-00-00	DAMPER	7	
26	90111-06038-00	BOLT, HEX. SOCKET BUTTON	4	
27	2C0-28342-01-00	JOINT	1	
28	2C0-28217-00-00	DAMPER 1	2	
29	2C0-28227-00-00	DAMPER 2	2	
30	13S-2838R-00-00	DUCT 2	1	
31	13S-2838T-00-00	DUCT 3	1	
32	97702-40016-00	SCREW, TAPPING	4	
33	8FP-85886-00-00	SENSOR, AIR TEMPERATURE	1	
34	97702-50116-00	SCREW, TAPPING	1	
35	51Y-21639-00-00	DAMPER 2	4	
36	2C0-28371-00-00	DAMPER	1	

CONTINUED ON NEXT FRAME >



13S7110-G370

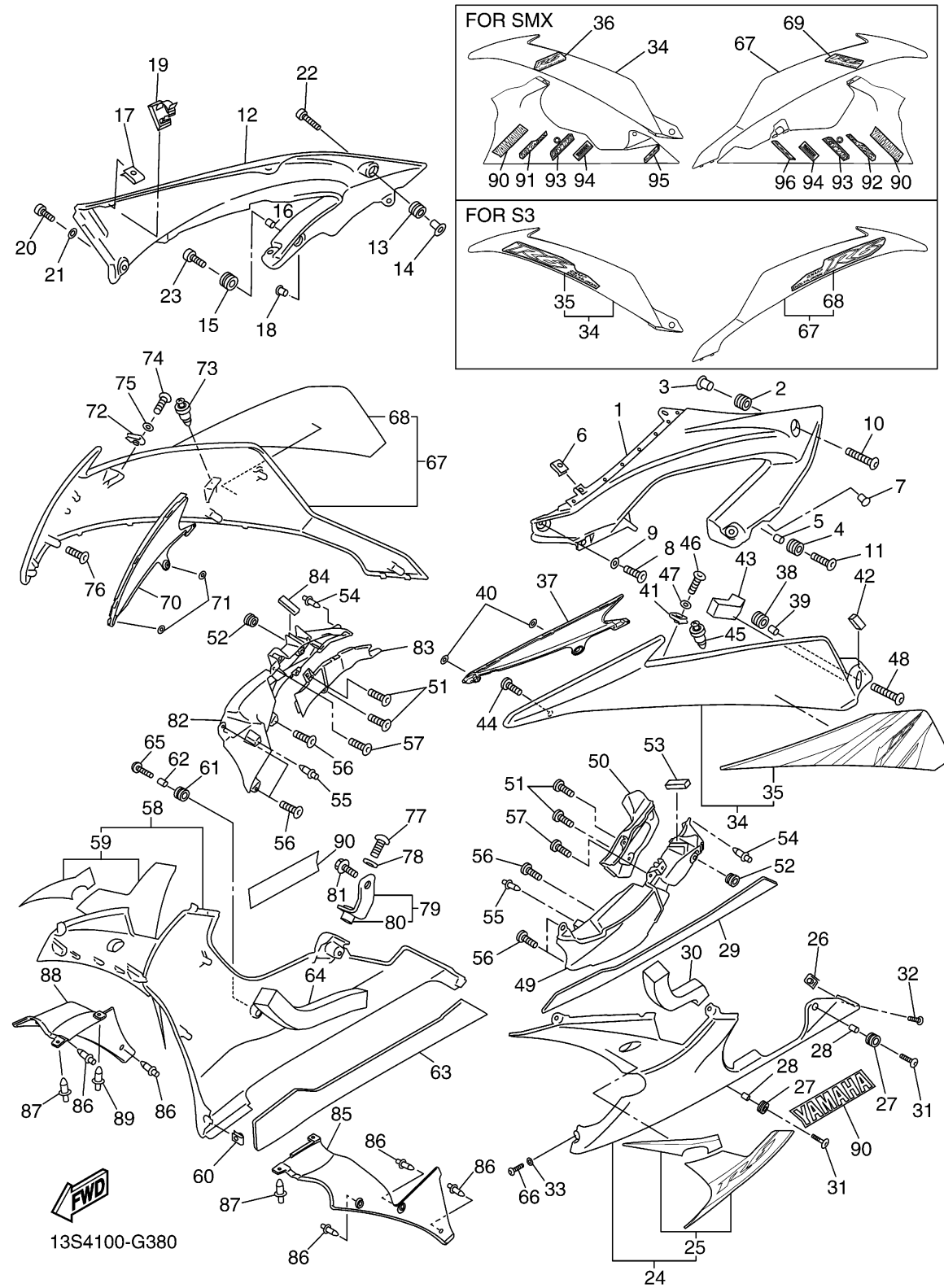
COWLING 1

Ref No.	Part Number	Description	Qty	Remarks
37	90269-06008-00	RIVET	1	
38	90269-06008-00	RIVET	1	
39	13S-2837L-00-00	PANEL, CONSOLE 1	1	
40	90111-05021-00	BOLT, HEX. SOCKET BUTTON	2	
41	13S-2837M-00-00	PANEL, CONSOLE 2	1	
42	90111-05021-00	BOLT, HEX. SOCKET BUTTON	2	
43	13S-26298-00-00	PLATE, MIRROR FITTING 1	2	
44	13S-26280-00-00	REAR VIEW MIRROR ASSY (LEFT)	1	
45	90387-064T3-00	COLLAR	2	
46	90176-06008-00	NUT, CROWN	2	
47	13S-26290-00-00	REAR VIEW MIRROR ASSY (RIGHT)	1	
48	90387-064T3-00	COLLAR	2	
49	90176-06008-00	NUT, CROWN	2	
50	5JW-2835Y-00-00	LABEL, CAUTION	1	

COWLING 2

Ref No.	Part Number	Description	Qty	Remarks
1	13S-2117V-00-P0	COVER 7	1	UR FOR DPBMC
1	13S-2117V-00-P3	COVER 7	1	UR FOR SMX
1	13S-2117V-00-P4	COVER 7	1	UR FOR S3
2	90480-12613-00	GROMMET	1	
3	90387-067K8-00	COLLAR	1	
4	90480-14003-00	GROMMET	1	
5	90387-06057-00	COLLAR	1	
6	90183-05076-00	NUT, SPRING	1	
7	90338-06134-00	PLUG	1	
8	90111-05003-00	BOLT, HEX. SOCKET BUTTON	1	
9	90202-05180-00	WASHER, PLATE	1	
10	90111-06063-00	BOLT, HEX. SOCKET BUTTON	1	
11	90111-06040-00	BOLT, HEX. SOCKET BUTTON	1	
12	13S-2117W-00-P0	COVER 8	1	UR FOR DPBMC
12	13S-2117W-00-P3	COVER 8	1	UR FOR SMX
12	13S-2117W-00-P4	COVER 8	1	UR FOR S3
13	90480-12613-00	GROMMET	1	
14	90387-067K8-00	COLLAR	1	
15	90480-14003-00	GROMMET	1	
16	90387-06057-00	COLLAR	1	

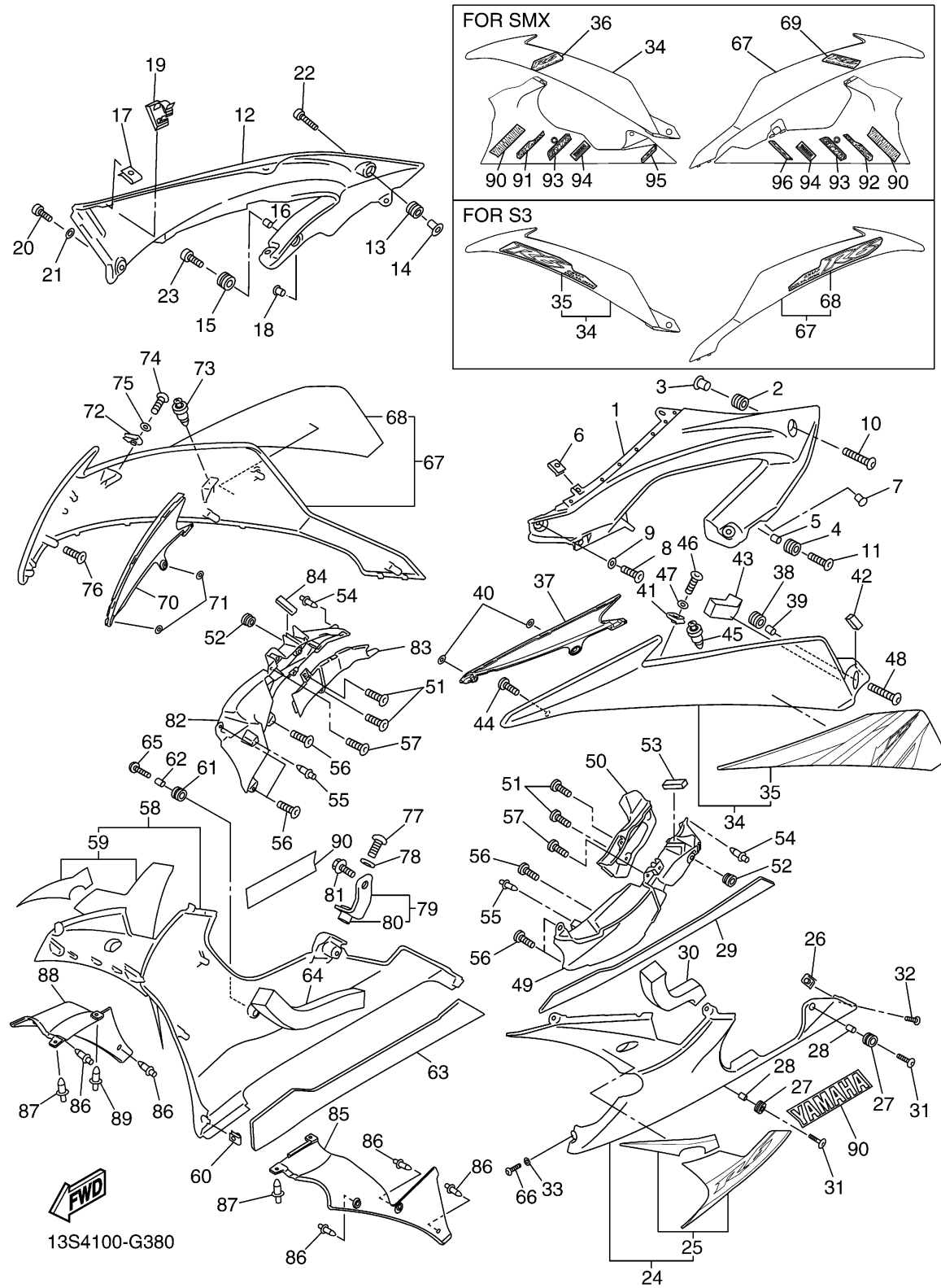
CONTINUED ON NEXT FRAME >



COWLING 2

Ref No.	Part Number	Description	Qty	Remarks
17	90183-05076-00	NUT, SPRING	1	
18	90338-06134-00	PLUG	1	
19	90464-20014-00	CLAMP	1	
20	90111-05003-00	BOLT, HEX. SOCKET BUTTON	1	
21	90202-05180-00	WASHER, PLATE	1	
22	90111-06063-00	BOLT, HEX. SOCKET BUTTON	1	
23	90111-06040-00	BOLT, HEX. SOCKET BUTTON	1	
24	13S-W2838-00-P1	UNDER COVER COMP 1	1	UR SMX FOR DPBMC
24	13S-28385-00-P1	COVER, LOWER	1	UR FOR SMX
24	13S-28385-00-P2	COVER, LOWER	1	UR FOR S3
25	13S-28301-00-00	. GRAPHIC SET, LOWER COVER 1	1	FOR DPBMC
26	90183-05076-00	NUT, SPRING	1	
27	90480-14003-00	GROMMET	2	
28	90387-06057-00	COLLAR	2	
29	13S-2838G-00-00	SEAT 1	1	
30	13S-2836U-00-00	DAMPER, LOCATING 2	1	
31	90111-06040-00	BOLT, HEX. SOCKET BUTTON	2	
32	90111-05003-00	BOLT, HEX. SOCKET BUTTON	1	
33	90202-05180-00	WASHER, PLATE	1	
34	13S-W283U-10-P0	PANEL ASSY 1	1	UR FOR DPBMC

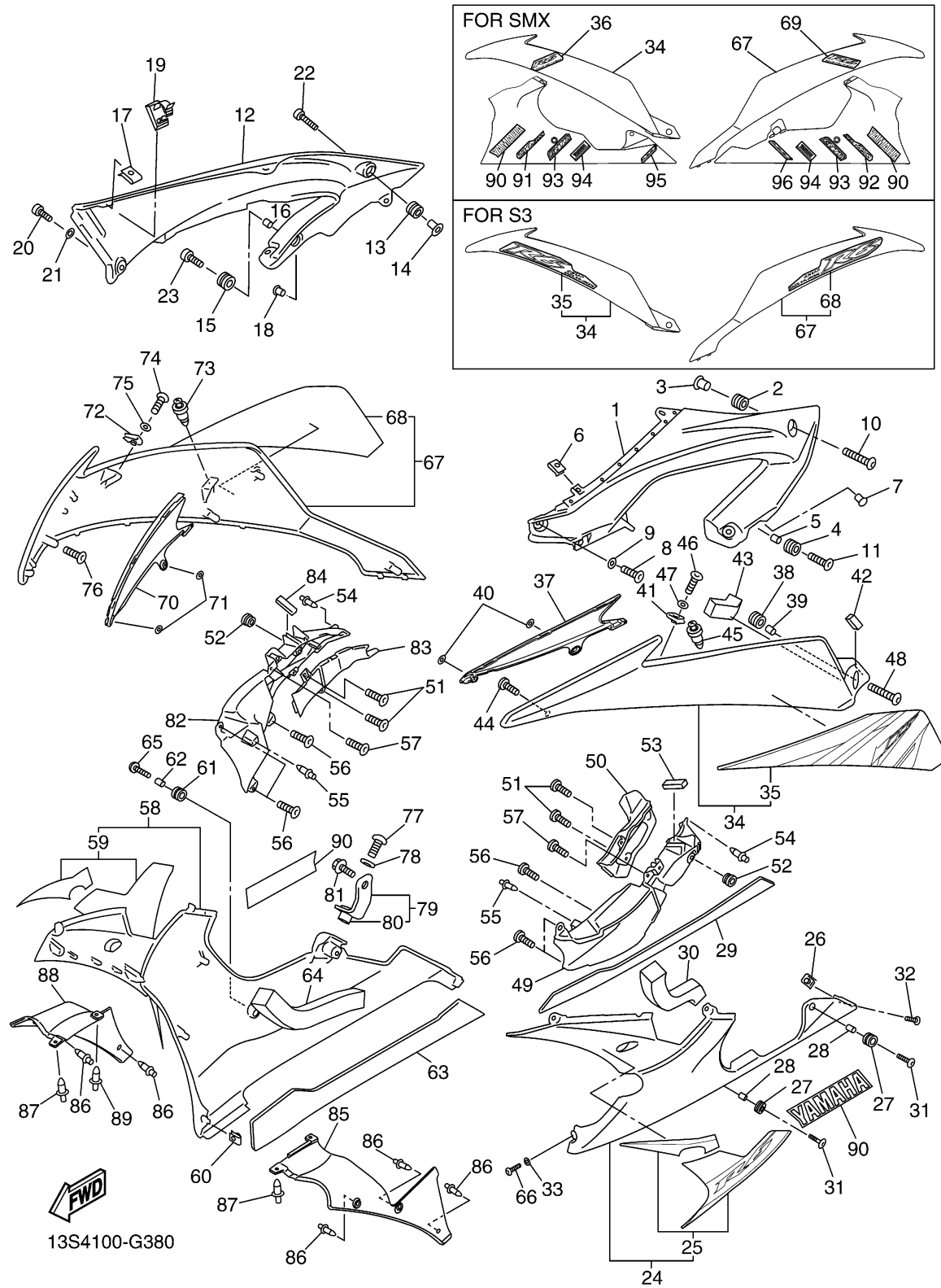
CONTINUED ON NEXT FRAME >



COWLING 2

Ref No.	Part Number	Description	Qty	Remarks
34	13S-2835U-00-P3	PANEL 1	1	UR MBL2 FOR SMX
34	13S-W283U-00-P4	PANEL ASSY 1	1	UR MT1 FOR S3
35	13S-28391-30-00	. GRAPHIC 1	1	UR FOR DPBMC
35	13S-28328-30-00	. EMBLEM	1	UR FOR S3
36	13S-28328-20-00	EMBLEM	1	FOR SMX
37	13S-28219-00-00	COVER 1	1	
38	90480-14003-00	GROMMET	1	
39	90387-06057-00	COLLAR	1	
40	90183-05M02-00	NUT, SPRING	2	
41	90183-05076-00	NUT, SPRING	1	
42	13S-28415-00-00	DAMPER 1	1	
43	13S-24183-00-00	DAMPER, LOCATING 3	1	
44	97707-50016-00	SCREW, TRUSS HEAD TAPPING	1	
45	90269-07007-00	RIVET	1	
46	90111-05003-00	BOLT, HEX. SOCKET BUTTON	1	
47	90202-05180-00	WASHER, PLATE	1	
48	90111-06040-00	BOLT, HEX. SOCKET BUTTON	1	
49	13S-2137U-00-00	GUIDE, AIR 1	1	
50	13S-2137K-00-00	GUIDE, AIR 3	1	
51	97702-50016-00	SCREW, TAPPING	4	

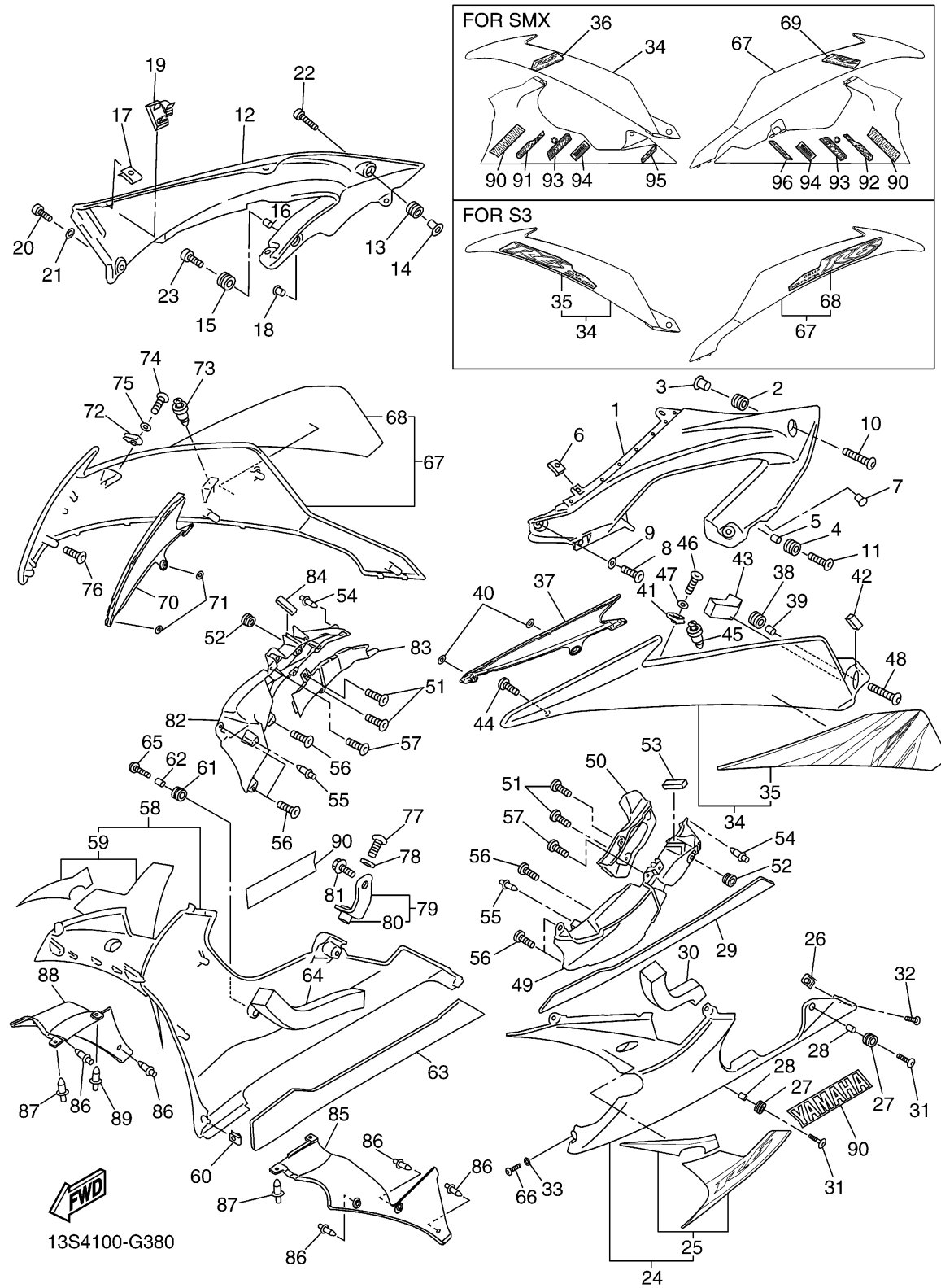
CONTINUED ON NEXT FRAME >



COWLING 2

Ref No.	Part Number	Description	Qty	Remarks
52	90480-01558-00	GROMMET	2	
53	13S-28217-00-00	DAMPER 1	1	
54	90269-06008-00	RIVET	2	
55	90269-06081-00	RIVET	2	
56	97707-50016-00	SCREW, TRUSS HEAD TAPPING	6	
57	97702-50020-00	SCREW, TAPPING	2	
58	13S-W2839-00-P1	UNDER COVER COMP 2	1	UR SMX FOR DPBMC
58	13S-28395-00-P1	COVER, UNDER	1	UR FOR SMX
58	13S-28395-00-P2	COVER, UNDER	1	UR FOR S3
59	13S-28303-00-00	. GRAPHIC SET, LOWER COVER 2	1	FOR DPBMC
60	90183-05076-00	NUT, SPRING	1	
61	90480-14003-00	GROMMET	1	
62	90387-06057-00	COLLAR	1	
63	13S-2848K-00-00	SEAT 2	1	
64	13S-2847R-00-00	DAMPER 10	1	
65	90111-06040-00	BOLT, HEX. SOCKET BUTTON	1	
66	90111-05003-00	BOLT, HEX. SOCKET BUTTON	1	
67	13S-W283V-10-P0	PANEL 2	1	UR SMX FOR DPBMC
67	13S-2835V-00-P3	PANEL 2	1	UR MBL2 FOR SMX
67	13S-W283V-00-P4	PANEL 2	1	UR MT1 FOR S3

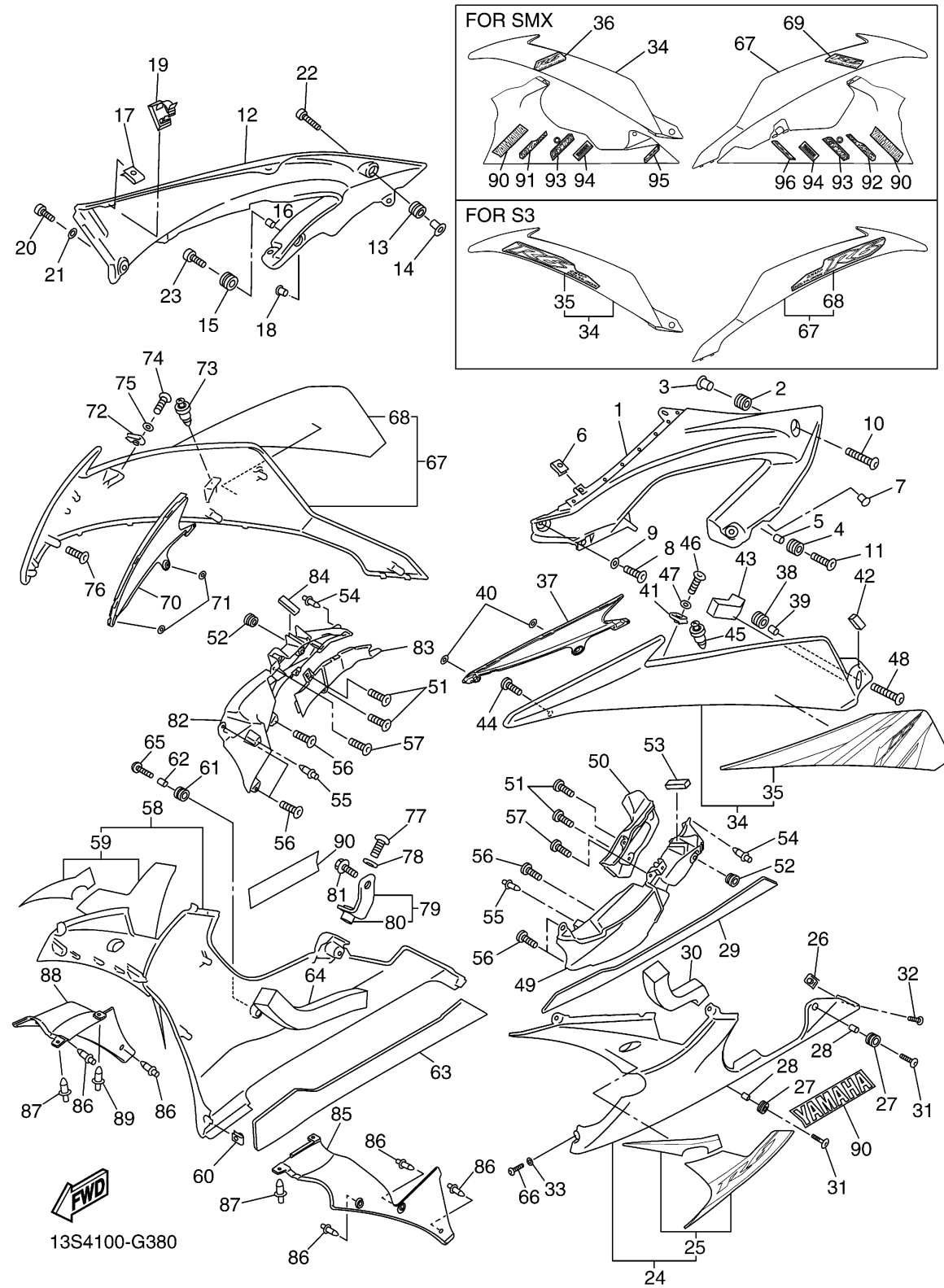
CONTINUED ON NEXT FRAME >



COWLING 2

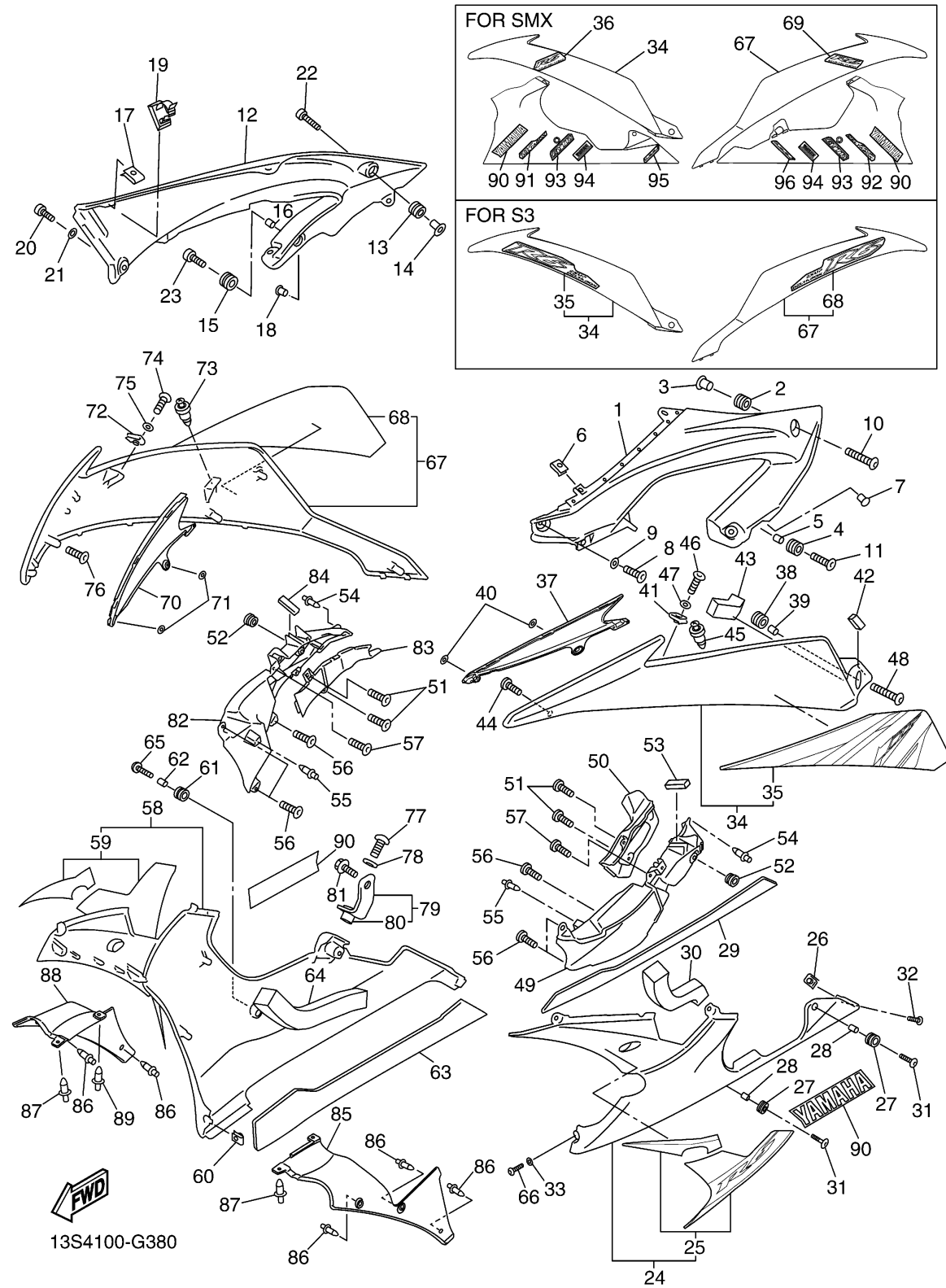
Ref No.	Part Number	Description	Qty	Remarks
68	13S-28392-30-00	. GRAPHIC 2	1	UR FOR DPBMC
68	13S-28338-30-00	. EMBLEM	1	UR FOR S3
69	13S-28338-20-00	EMBLEM	1	FOR SMX
70	13S-28229-00-00	COVER 2	1	
71	90183-05M02-00	NUT, SPRING	2	
72	90183-05076-00	NUT, SPRING	1	
73	90269-07007-00	RIVET	1	
74	90111-05003-00	BOLT, HEX. SOCKET BUTTON	1	
75	90202-05180-00	WASHER, PLATE	1	
76	97707-50016-00	SCREW, TRUSS HEAD TAPPING	2	
77	90109-06207-00	BOLT	1	
78	90202-10024-00	WASHER, PLATE	1	
79	13S-2836G-00-00	BRACKET 4	1	
80	90179-06059-00	. NUT	1	
81	90105-06020-00	BOLT, FLANGE	1	
82	13S-2137V-00-00	GUIDE, AIR 2	1	
83	13S-2137L-00-00	GUIDE, AIR 4	1	
84	13S-28217-00-00	DAMPER 1	1	
85	13S-2836L-00-00	PANEL, INNER 2	1	
86	90269-06008-00	RIVET	5	

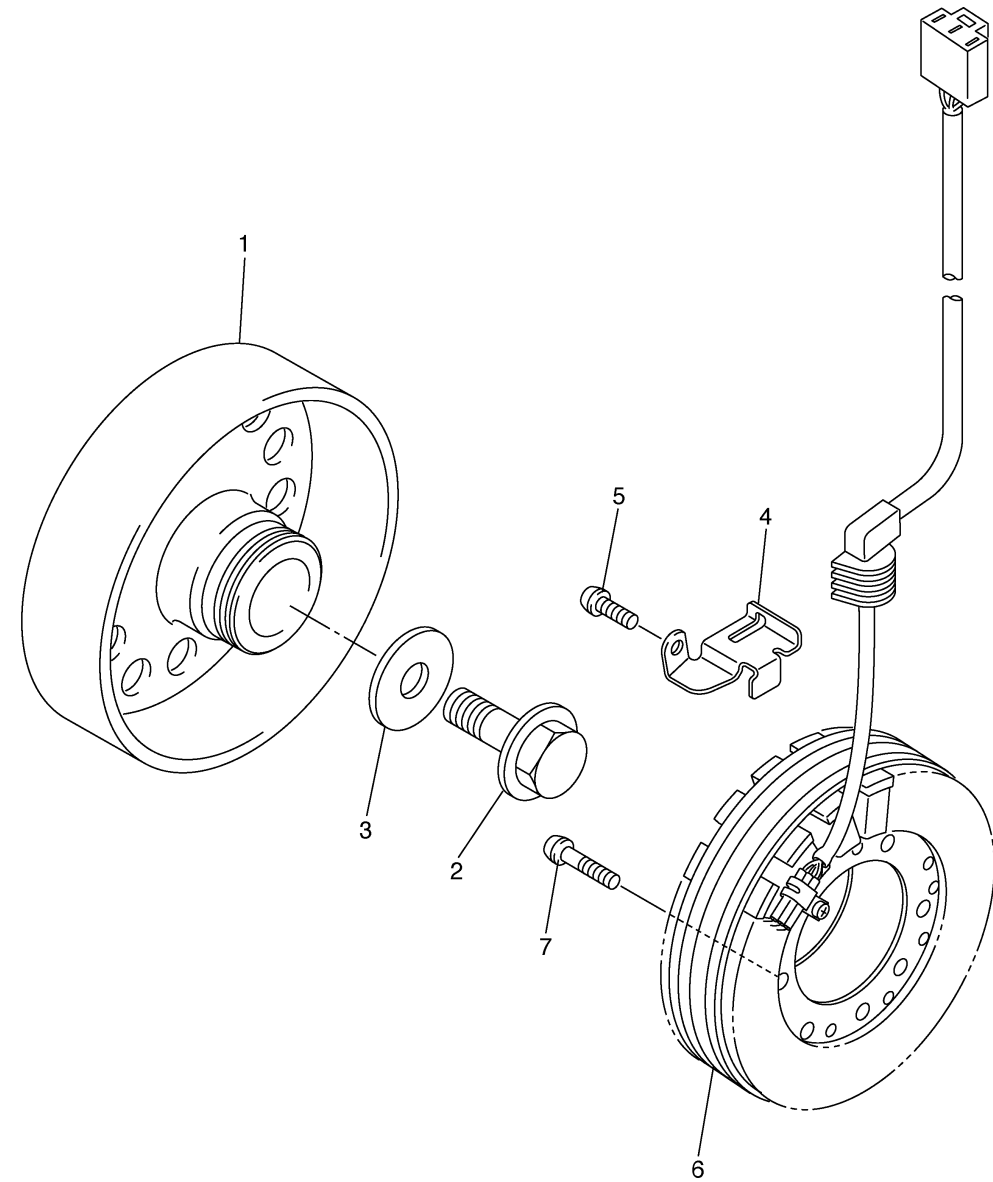
CONTINUED ON NEXT FRAME >



COWLING 2

Ref No.	Part Number	Description	Qty	Remarks
87	90269-06002-00	RIVET	2	
88	13S-2836M-00-00	PANEL, INNER 3	1	
89	90269-06008-00	RIVET	1	
90	13S-2153E-30-00	EMBLEM, YAMAHA	2	UR FOR DPBMC
90	13S-2153A-00-00	EMBLEM, YAMAHA	2	UR FOR SMX
90	13S-2153E-40-00	EMBLEM, YAMAHA	2	UR FOR S3
91	13S-2834C-00-00	EMBLEM 1	1	FOR SMX
92	13S-2835C-00-00	EMBLEM 2	1	FOR SMX
93	4P6-28338-00-00	EMBLEM	2	FOR SMX
94	4P6-28328-00-00	EMBLEM	2	FOR SMX
95	13S-21737-00-00	EMBLEM	1	FOR SMX
96	13S-21737-10-00	EMBLEM	1	FOR SMX





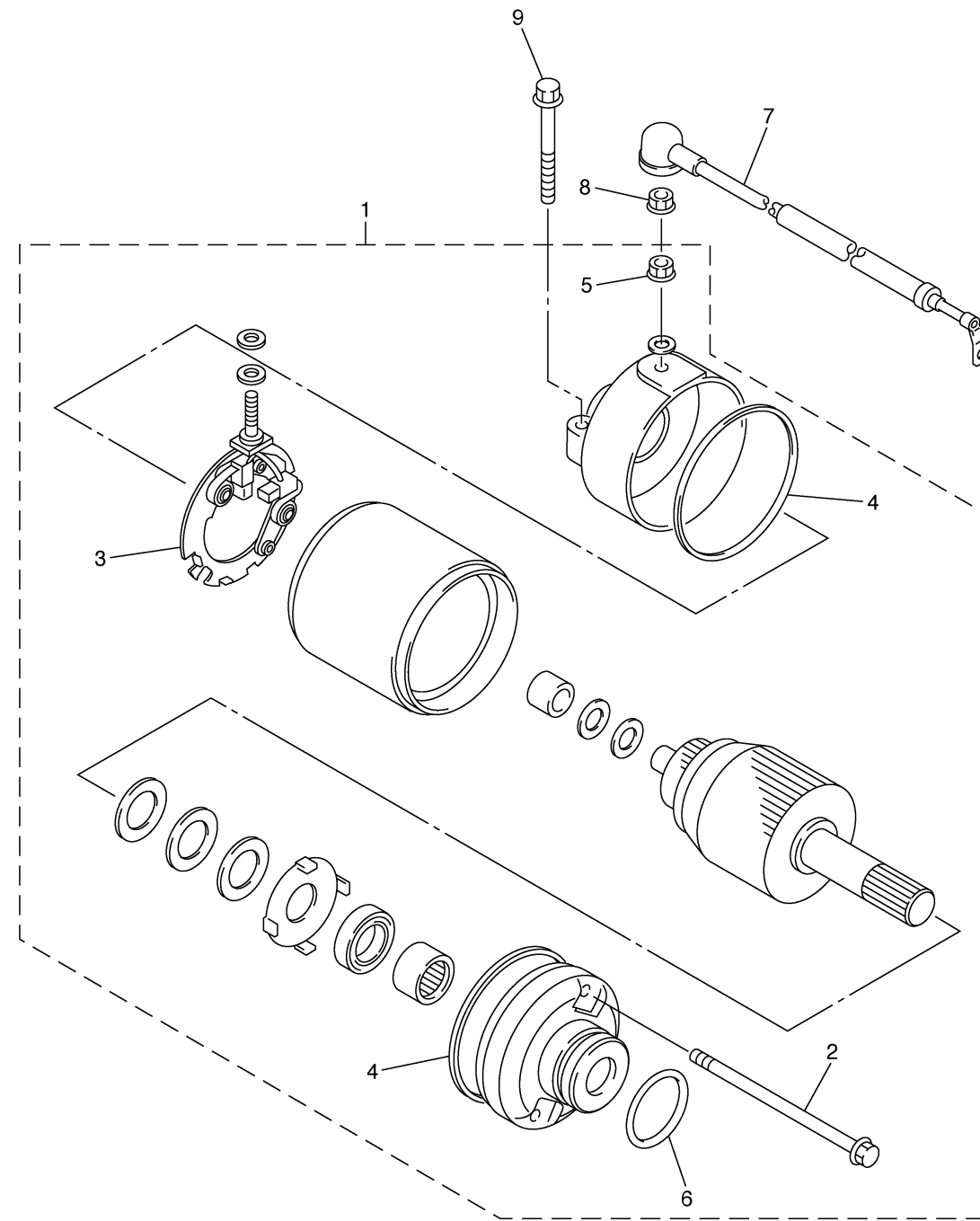
GENERATOR

Ref No.	Part Number	Description	Qty	Remarks
1	2C0-81450-00-00	ROTOR ASSY	1	
2	90105-126A8-00	BOLT, FLANGE	1	
3	90201-12008-00	WASHER, PLATE	1	
4	2C0-15484-00-00	CLAMP 2	1	
5	90149-06082-00	SCREW	1	
6	2C0-81410-00-00	STATOR ASSY	1	
7	90149-06080-00	SCREW	3	



2C01300-E390

STARTING MOTOR

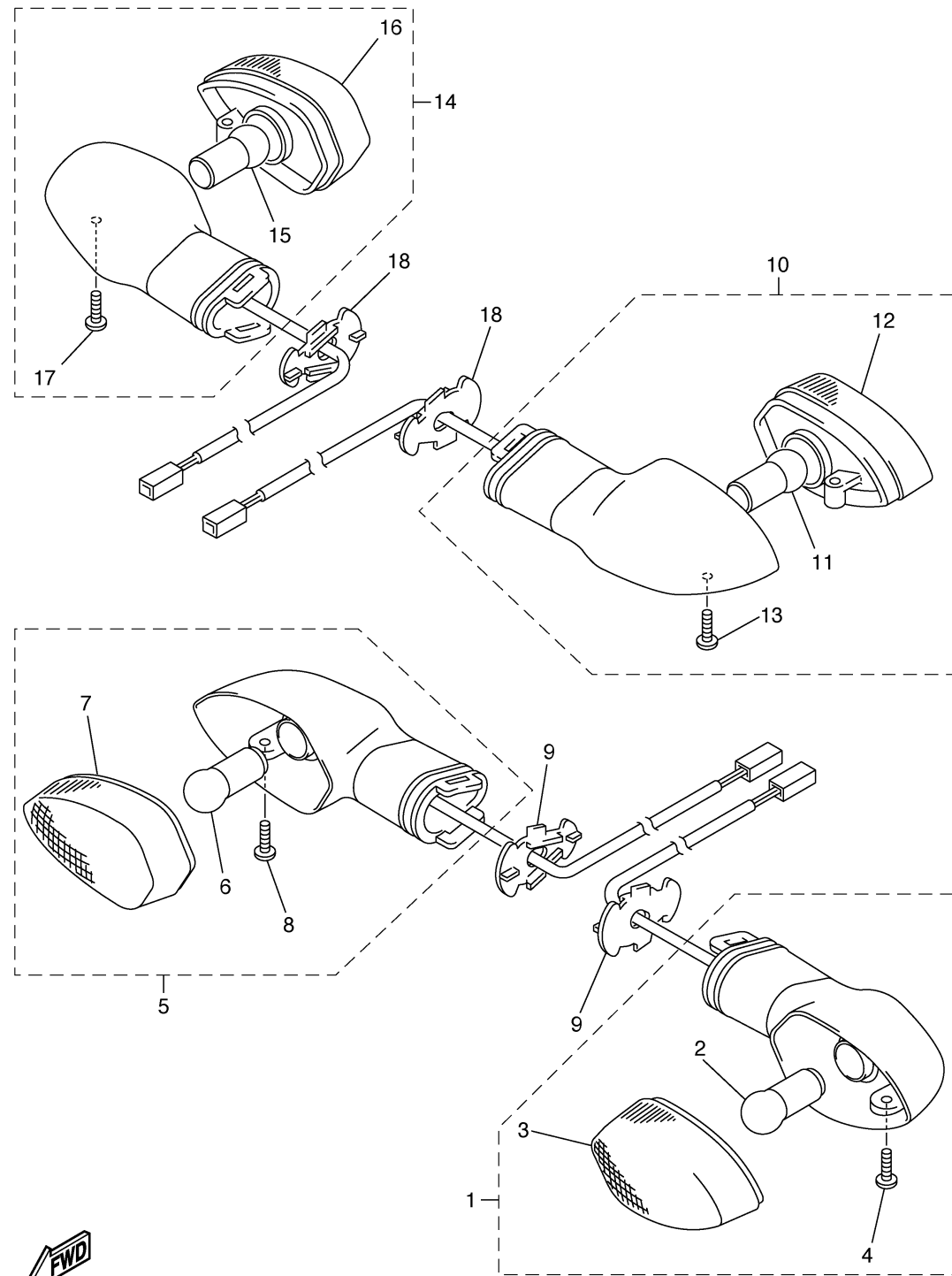


Ref No.	Part Number	Description	Qty	Remarks
1	2C0-81890-00-00	MOTOR ASSY	1	
2	4WP-81826-00-00	. BOLT	2	
3	4WP-81801-00-00	. BRUSH SET	1	
4	4WP-81844-00-00	. GASKET	2	
5	4XV-8182A-00-00	. NUT	1	
6	1FK-81847-00-00	. O-RING	1	
7	2C0-81815-00-00	CORD, STARTER MOTOR	1	
8	4XV-8182A-00-00	NUT	1	
9	90105-06083-00	BOLT, FLANGE	2	



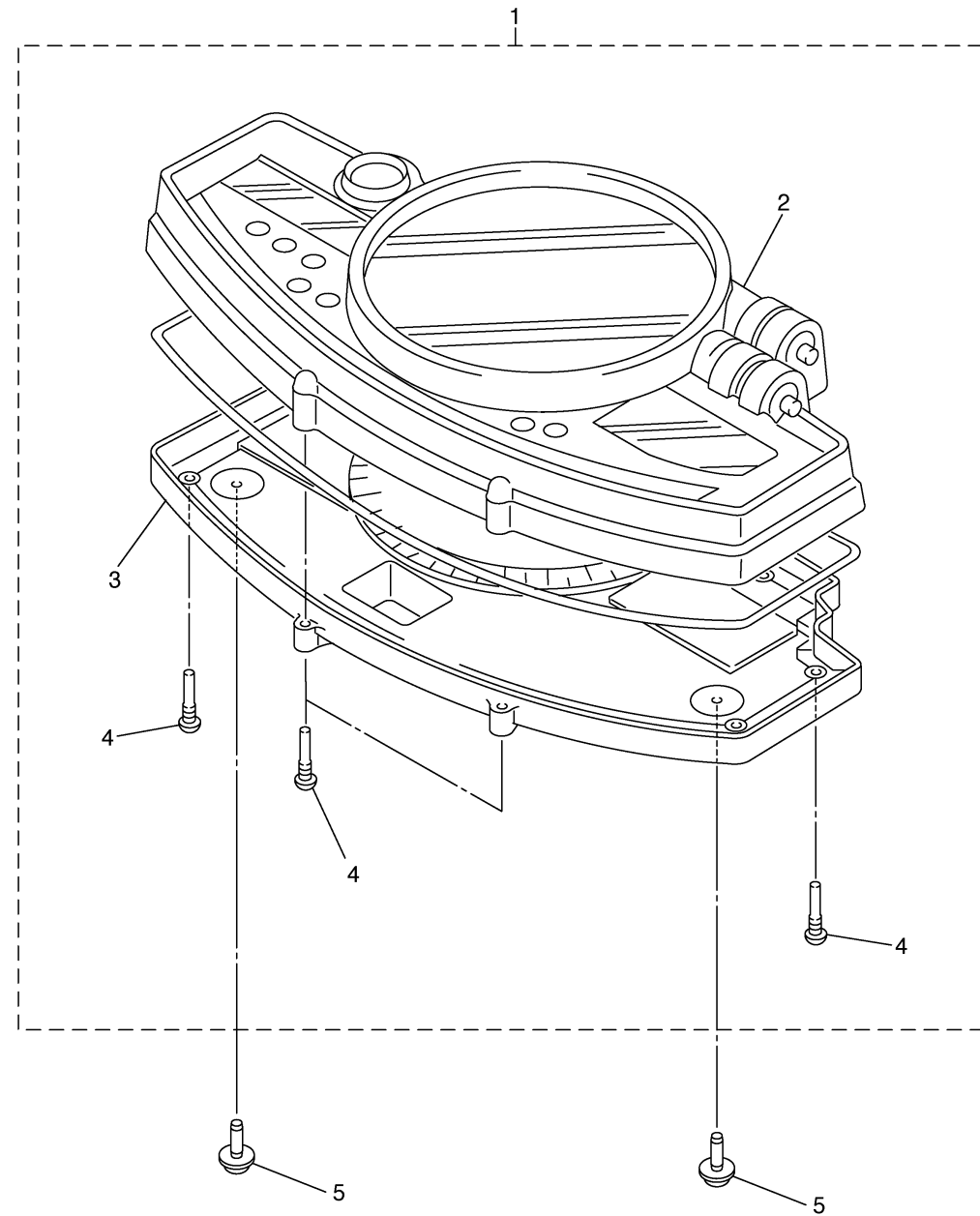
2C01300-E400

FLASHER LIGHT



Ref No.	Part Number	Description	Qty	Remarks
1	2C0-83310-10-00	FRONT FLASHER LIGHT ASSY 1	1	
2	1A2-84714-41-00	. BULB (12V-21/5W)	1	
3	2C0-8333A-10-00	. LENS COMP	1	
4	97702-40010-00	. SCREW, TAPPING	1	
5	2C0-83320-10-00	FRONT FLASHER LIGHT ASSY 2	1	
6	1A2-84714-41-00	. BULB (12V-21/5W)	1	
7	2C0-8334A-10-00	. LENS COMP	1	
8	97702-40010-00	. SCREW, TAPPING	1	
9	2C0-83318-00-00	STAY, FLASHER 1	2	
10	2C0-83330-10-00	REAR FLASHER LIGHT ASSY 1	1	
11	306-83311-40-00	. BULB, FLASHER (12V-21W)	1	
12	2C0-8334A-10-00	. LENS COMP	1	
13	97702-40010-00	. SCREW, TAPPING	1	
14	2C0-83340-10-00	REAR FLASHER LIGHT ASSY 2	1	
15	306-83311-40-00	. BULB, FLASHER (12V-21W)	1	
16	2C0-8333A-10-00	. LENS COMP	1	
17	97702-40010-00	. SCREW, TAPPING	1	
18	2C0-83318-00-00	STAY, FLASHER 1	2	


2C01300-E410



METER

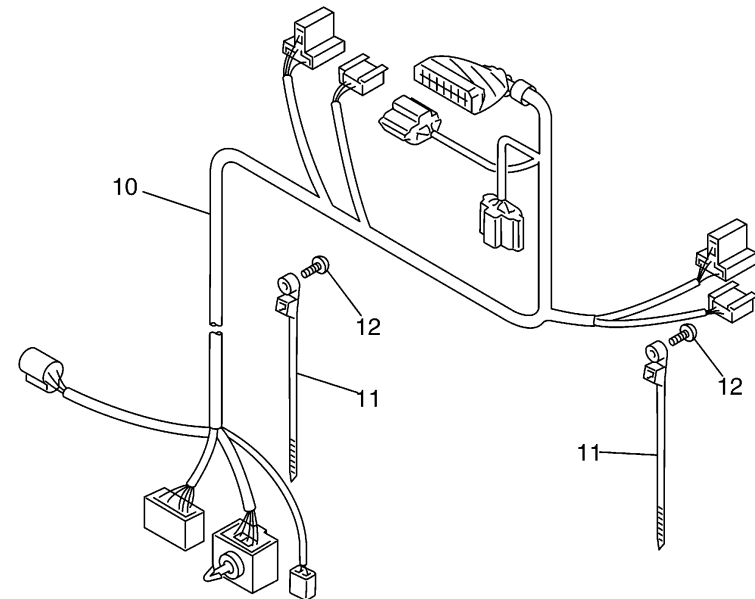
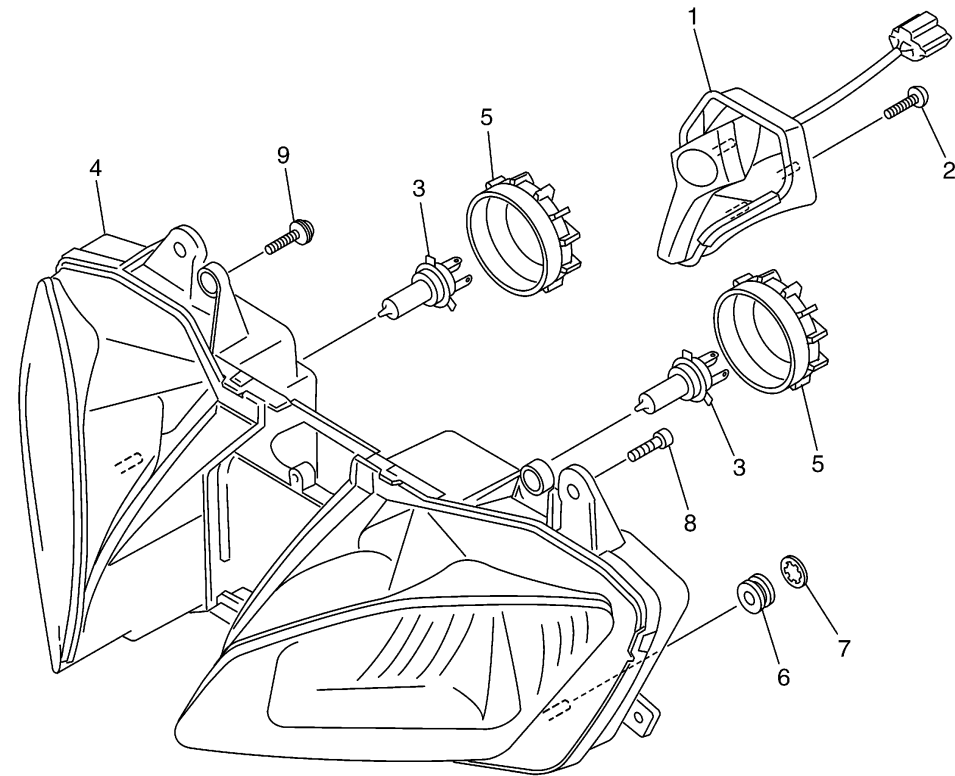
Ref No.	Part Number	Description	Qty	Remarks
1	13S-83500-20-00	METER ASSY (MPH)	1	
2	5VY-8353E-00-00	. CASE, METER UPPER	1	
3	5VY-83572-02-00	. CASE, SPEEDOMETER LOWER	1	
4	5PW-8352S-00-00	. SCREW, PANEL FTTING	11	
5	90160-05006-00	SCREW, ROUND TAPPING	3	



2C0B300-F420

HEADLIGHT

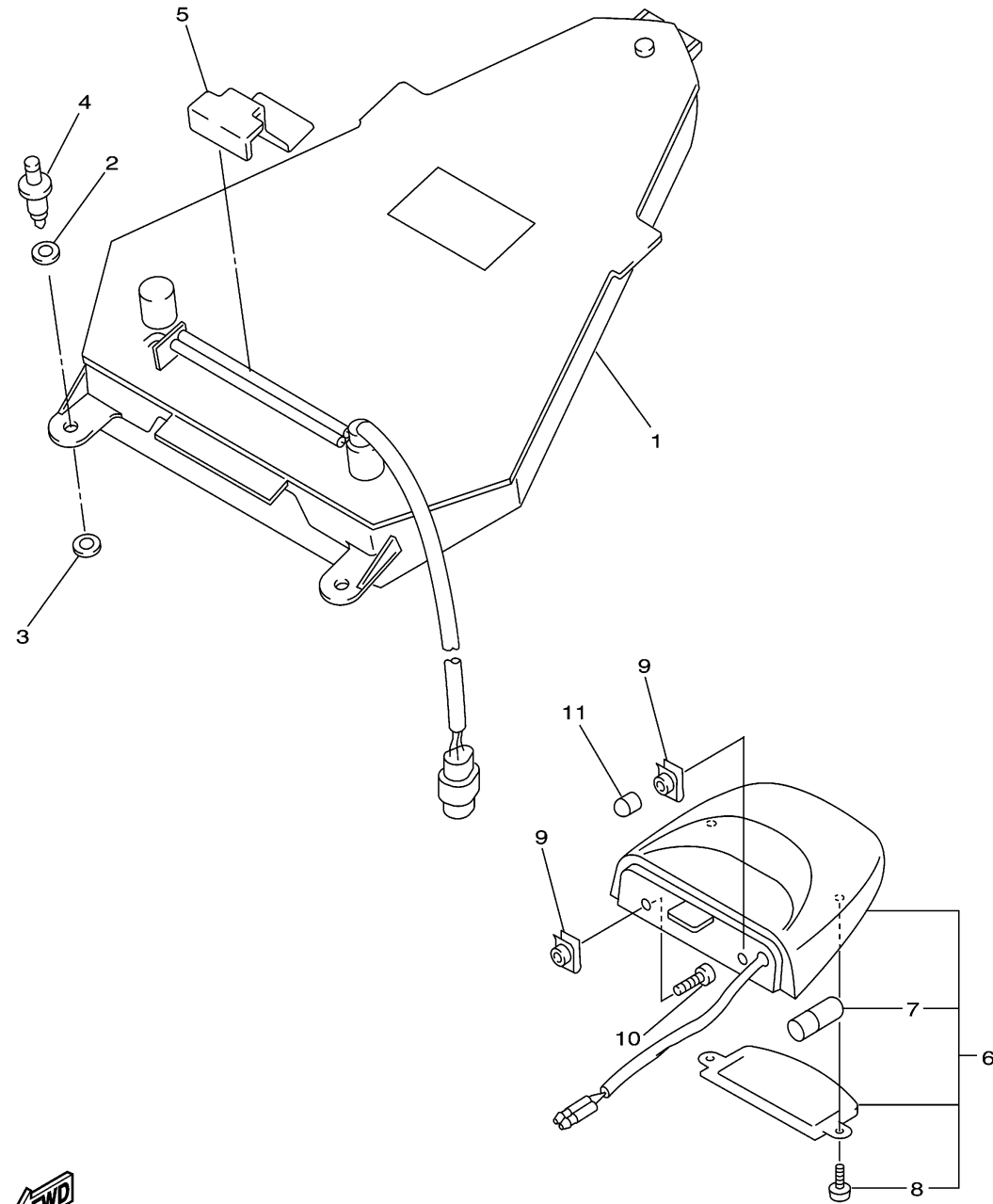
Ref No.	Part Number	Description	Qty	Remarks
1	13S-84301-10-00	PILOT LIGHT ASSY 1	1	
2	97702-40016-00	SCREW, TAPPING	3	
3	4SV-84314-00-00	BULB (12V-55W)	2	(H7) HALOGEN
4	13S-84303-00-00	HEADLIGHT UNIT ASSY	1	
5	5SL-84397-00-00	COVER, SOCKET	2	
6	90480-08264-00	GROMMET	2	
7	90209-03274-00	WASHER	2	
8	97707-50016-00	SCREW, TRUSS HEAD TAPPING	5	
9	90160-05006-00	SCREW, ROUND TAPPING	4	
10	13S-84359-10-00	CORD, HEADLIGHT	1	
11	90464-47001-00	CLAMP	2	
12	97707-50016-00	SCREW, TRUSS HEAD TAPPING	2	



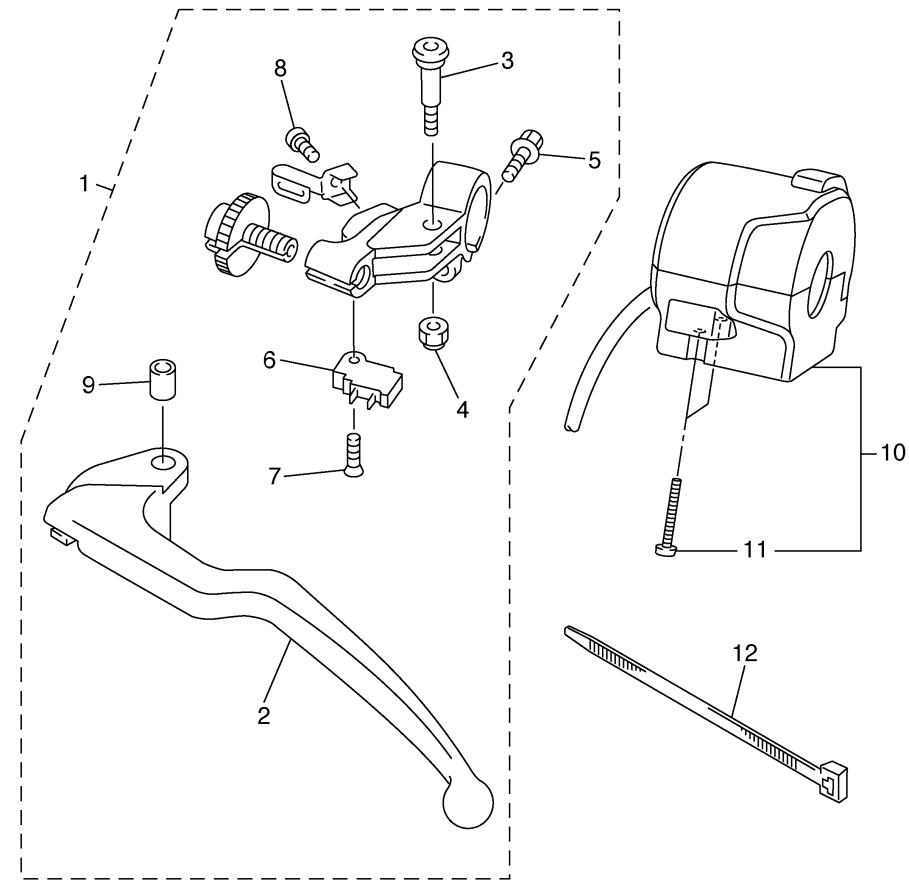
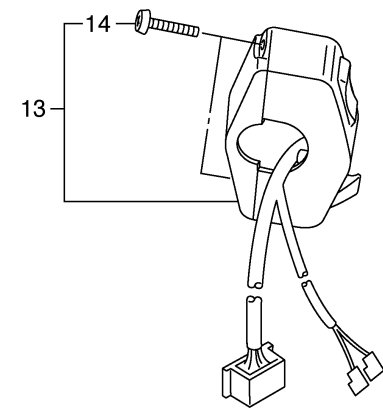
FWD
13S7110-G430

TAILLIGHT

Ref No.	Part Number	Description	Qty	Remarks
1	13S-84710-10-00	TAILLIGHT UNIT ASSY	1	
2	5SL-84753-00-00	DAMPER	2	
3	13S-2173M-00-00	SEAL 3	2	
4	90269-06001-00	RIVET	2	
5	2C0-2163F-00-00	COVER, REAR FENDER 3	1	
6	5VX-84745-01-00	LICENCE LIGHT UNIT ASSY	1	
7	4HC-84744-00-00	. BULB (12V-5W)	1	
8	97706-04012-00	. SCREW, TAPPING	2	
9	90183-05061-00	NUT, SPRING	2	
10	98902-05014-00	SCREW, BIND	2	
11	5VX-13569-01-00	PLUG, BLIND	1	




13S1300-G440



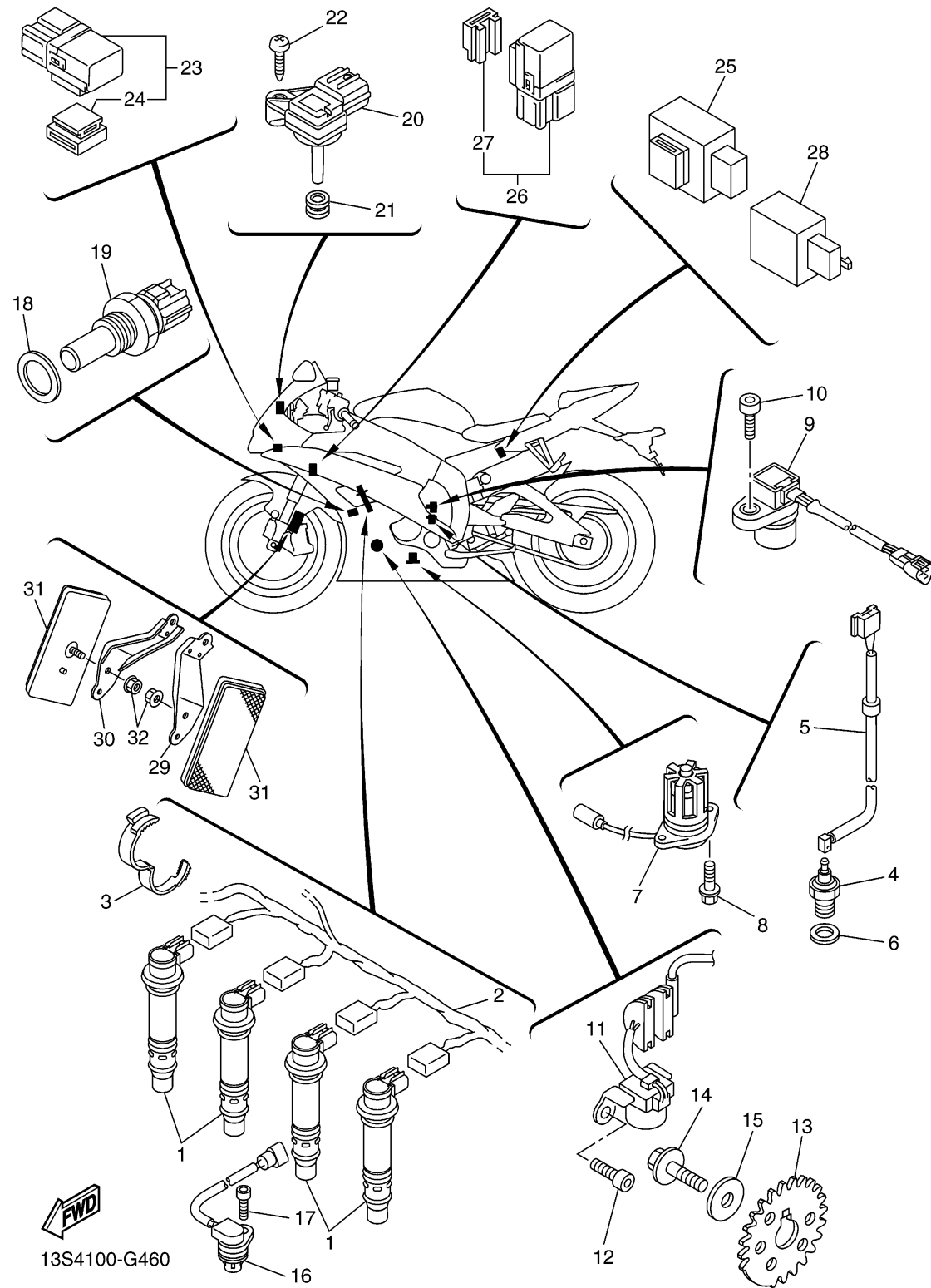
HANDLE SWITCH LEVER

Ref No.	Part Number	Description	Qty	Remarks
1	2C0-82910-01-00	LEVER HOLDER ASSY (LEFT)	1	
2	5EB-83912-03-00	. LEVER 1	1	
3	2C0-83945-00-00	. BOLT, LEVER	1	
4	95607-06200-00	. NUT, SELF U-FLANGE	1	
5	95027-06020-00	. BOLT, FLANGE	1	
6	4XV-82917-01-00	. SWITCH	1	
7	98707-03016-00	. SCREW, FLAT HEAD	1	
8	98507-04010-00	. SCREW, PAN HEAD	1	
9	5JJ-83913-00-00	. COLLAR, LEVER 1	1	
10	13S-83973-00-00	SWITCH, HANDLE 3	1	
11	98507-05035-00	. SCREW, PAN HEAD	2	
12	3MA-82591-00-00	BAND	1	
13	13S-83975-00-00	SWITCH, HANDLE 2	1	
14	98507-05022-00	. SCREW, PAN HEAD	2	



2C05100-E450

ELECTRICAL 1

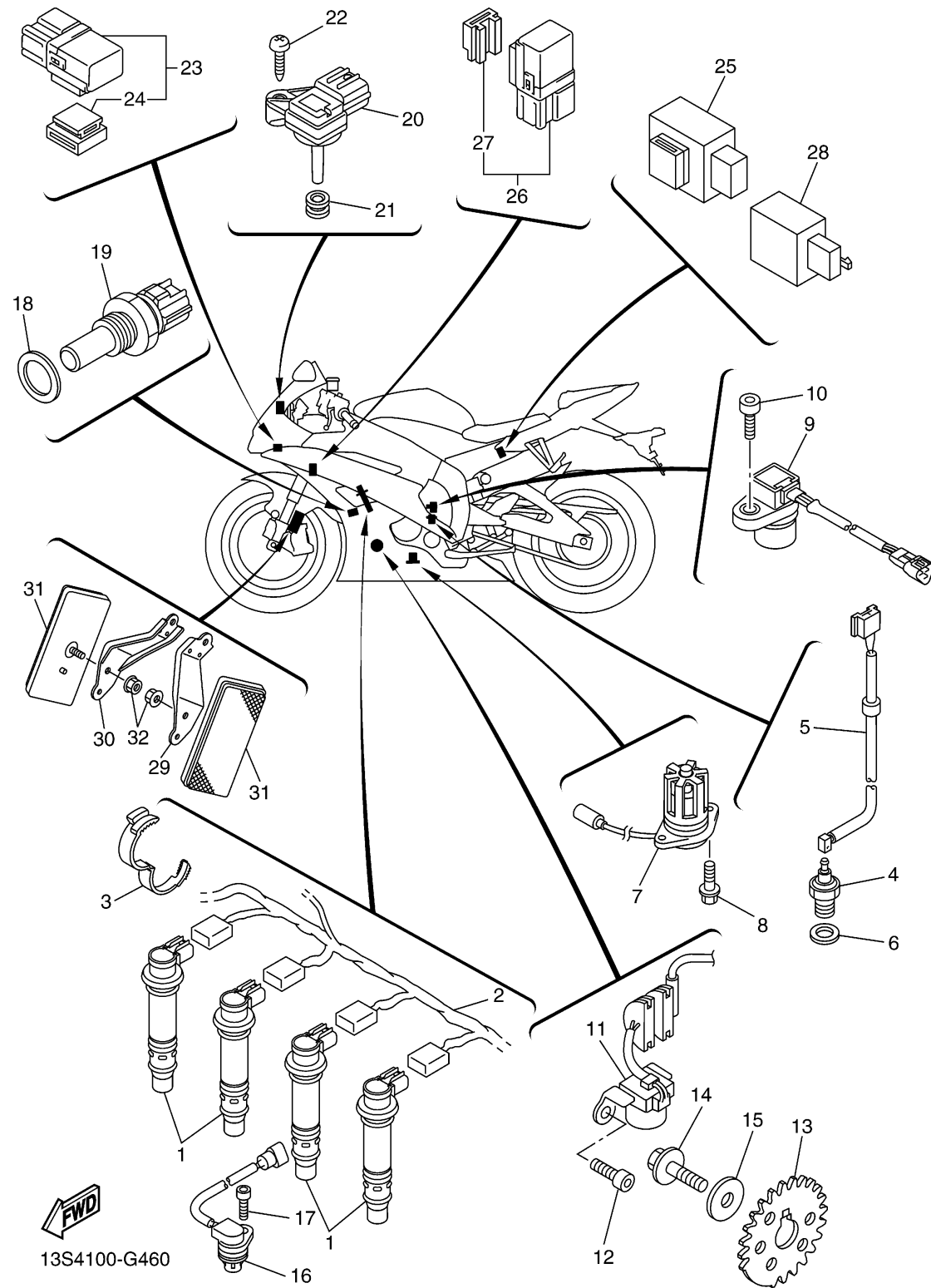


Ref No.	Part Number	Description	Qty	Remarks
1	13S-82310-00-00	IGNITION COIL ASSY	4	
2	2C0-82309-00-00	WIRE, SUB LEAD	1	
3	90464-28003-00	CLAMP	1	
4	3GB-82540-01-00	NEUTRAL SWITCH ASSY	1	
5	2C0-82541-00-00	WIRE, LEAD	1	
6	90430-10148-00	GASKET	1	
7	5VX-85720-01-00	OIL LEVEL GAUGE ASSY	1	
8	95022-06016-00	BOLT, FLANGE	2	
9	4WM-83755-02-00	SENSOR, SPEED	1	
10	91312-06016-00	BOLT	1	
11	2C0-81670-00-00	PICK-UP ASSY	1	
12	90110-06168-00	BOLT, HEXAGON SOCKET HEAD	2	
13	2C0-81673-01-00	ROTOR	1	
14	90105-08113-00	BOLT, FLANGE	1	
15	90201-08054-00	WASHER, PLATE	1	
16	5VY-85896-00-00	SENSOR, CAM POSITION	1	
17	90110-06175-00	BOLT, HEXAGON SOCKET HEAD	1	
18	90201-12790-00	WASHER, PLATE	1	
19	8CC-85790-01-00	THERMOSENSOR ASSY	1	
20	2C0-82380-00-00	SENSOR, PRESSURE	1	

CONTINUED ON NEXT FRAME >

ELECTRICAL 1

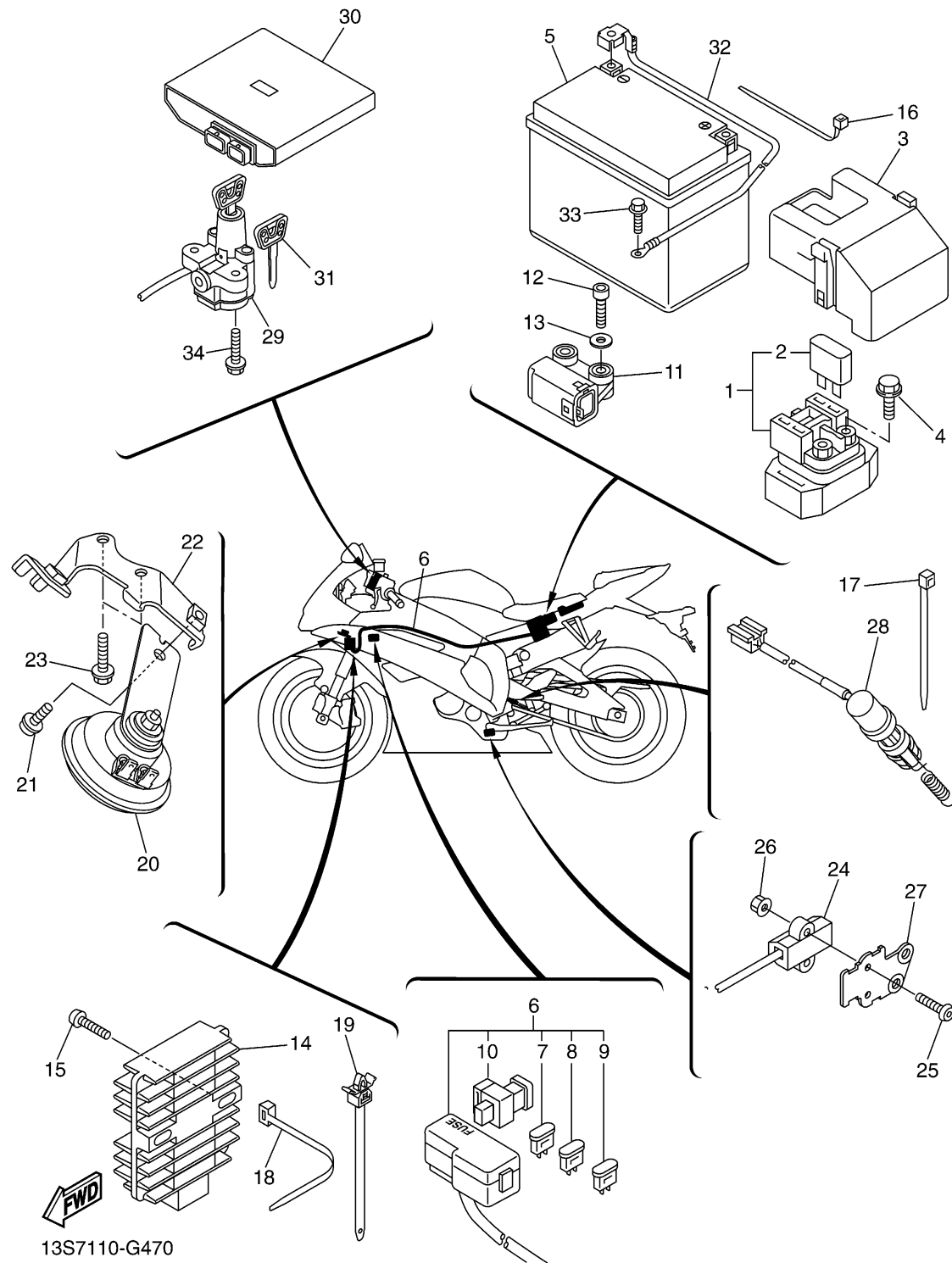
Ref No.	Part Number	Description	Qty	Remarks
21	90480-08006-00	GROMMET	1	
22	97702-50120-00	SCREW, TAPPING	1	
23	5JJ-81950-20-00	RELAY ASSY	2	
24	5JJ-81952-00-00	. HOLDER, RELAY	1	
25	5VK-81950-40-00	RELAY ASSY	1	
26	5EA-81950-20-00	RELAY ASSY	1	
27	5EA-81952-00-00	. HOLDER, RELAY	1	
28	4MY-83350-01-00	FLASHER RELAY ASSY	1	
29	2C0-85112-00-00	BRACKET, REFLECTOR 1	1	
30	2C0-85122-00-00	BRACKET, REFLECTOR 2	1	
31	11H-85110-01-00	REFLECTOR ASSY	2	
32	95702-05500-00	NUT, WITH WASHER	2	



ELECTRICAL 2

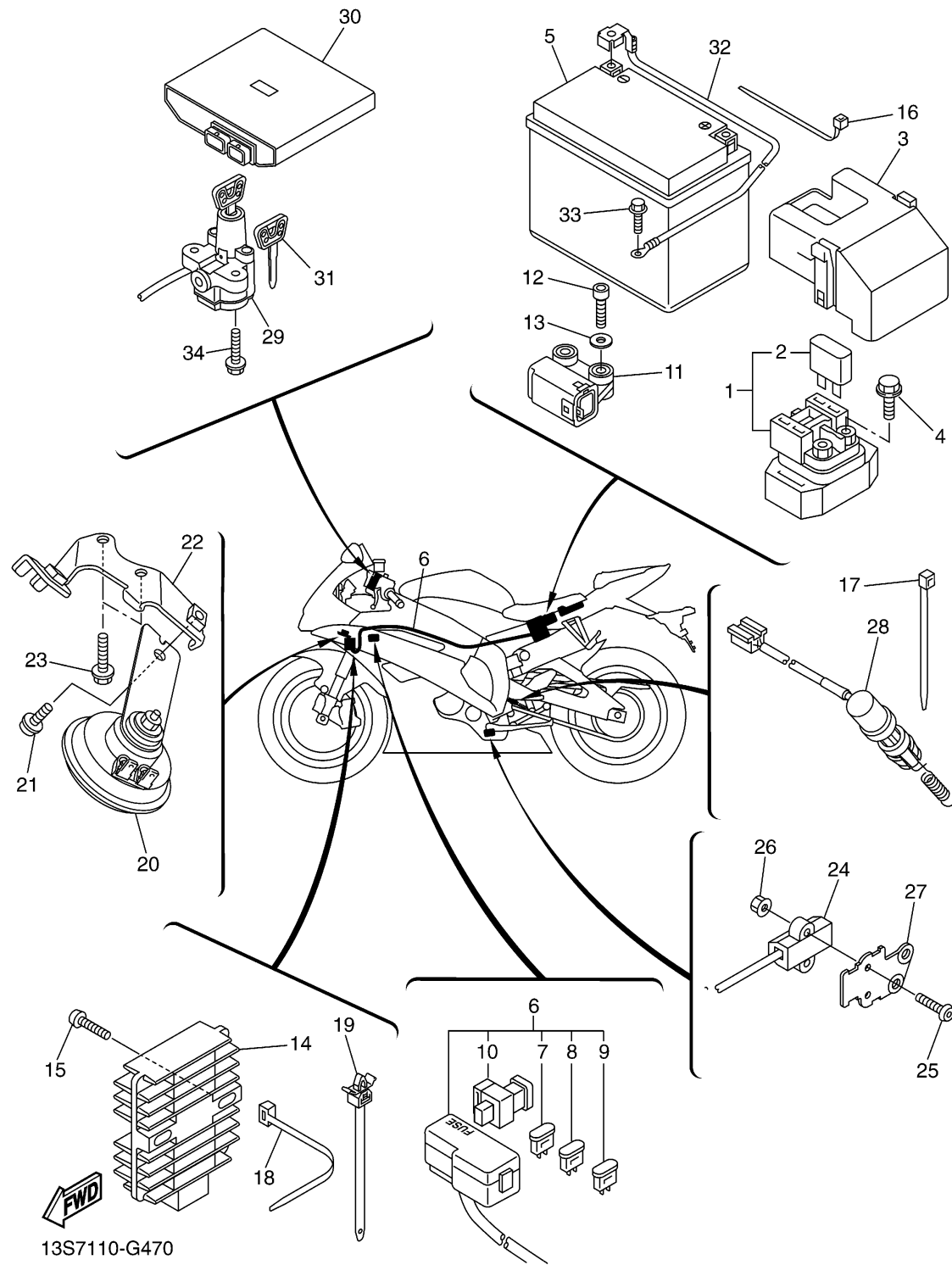
Ref No.	Part Number	Description	Qty	Remarks
1	2C0-81940-00-00	STARTER RELAY ASSY	1	
2	36Y-82151-00-00	. FUSE (15A-BL)	2	
3	5SL-82119-10-00	COVER, LEAD WIRE	1	
4	95022-06008-00	BOLT, FLANGE	2	
5	BTY-YTZ10-S0-00	BATTERY ASSY (YUASA YTZ10S)	1	
6	13S-82590-10-00	WIRE HARNESS ASSY	1	
7	5JJ-82151-10-00	. FUSE (15A-BL)	5	
8	5JJ-82151-00-00	. FUSE (7.5A-BL)	3	
9	5JJ-82151-30-00	. FUSE (10A-BL)	2	
10	5JW-82151-10-00	. FUSE (50A)	1	
11	5PS-82576-01-00	LEAN ANGLE SENSOR	1	
12	91317-04025-00	BOLT	2	
13	90201-042E0-00	WASHER, PLATE	2	
14	4XY-81960-00-00	RECTIFIER & REGULATOR ASSY	1	
15	92017-06025-00	BOLT, BUTTON HEAD	2	
16	90465-15011-00	CLAMP	2	
17	90464-32060-00	CLAMP	2	
18	90464-16061-00	CLAMP	4	
19	90464-12036-00	CLAMP	2	
20	4TH-83371-00-00	HORN	1	

CONTINUED ON NEXT FRAME >



ELECTRICAL 2

Ref No.	Part Number	Description	Qty	Remarks
21	95812-06012-00	BOLT, FLANGE	1	
22	13S-23377-00-00	BRACKET, HORN	1	
23	95822-06020-00	BOLT, FLANGE	2	
24	13S-82566-70-00	SWITCH, SIDE STAND	1	
25	92012-05025-00	BOLT, BUTTON HEAD	2	
26	95602-05200-00	NUT, SELF-LOCKING	2	
27	2C0-27961-00-00	BRACKET, SENSOR 1	1	
28	13S-82530-00-00	STOP SWITCH ASSY	1	
29	2C0-82501-10-00	MAIN SWITCH STEERING LOCK	1	
30	13S-8591A-20-00	ENGINE CONTROL UNIT ASSY	1	
31	4BH-82511-09-00	BLANK KEY	1	AP
32	2C0-82116-00-00	WIRE, MINUS LEAD	1	
33	91380-06012-00	BOLT	1	
34	90109-080G5-00	BOLT	2	



YZFR6XB (13S4)
YZFR6XL (13S4)
YZFR6XS (13S4)

Starting VIN (YZFR6XB_XL_XS): JYARJ16E38A000010 and following

YZFR6XBC (13S5)
YZFR6XLC (13S5)
YZFR6XSC (13S5)

Starting VIN (YZFR6XBC_XLC_XSC): JYARJ16Y18A000016 and following

~MODELS IN THIS CATALOG

Ref No.	Part Number	Description	Qty	Remarks
---------	-------------	-------------	-----	---------