



GAS GAS

2013



TX-RANDONNE
125 DESPIECE MOTOR

DESPIECE / / PART LIST

GG

*TECHNOLOGY
&
MOTION*

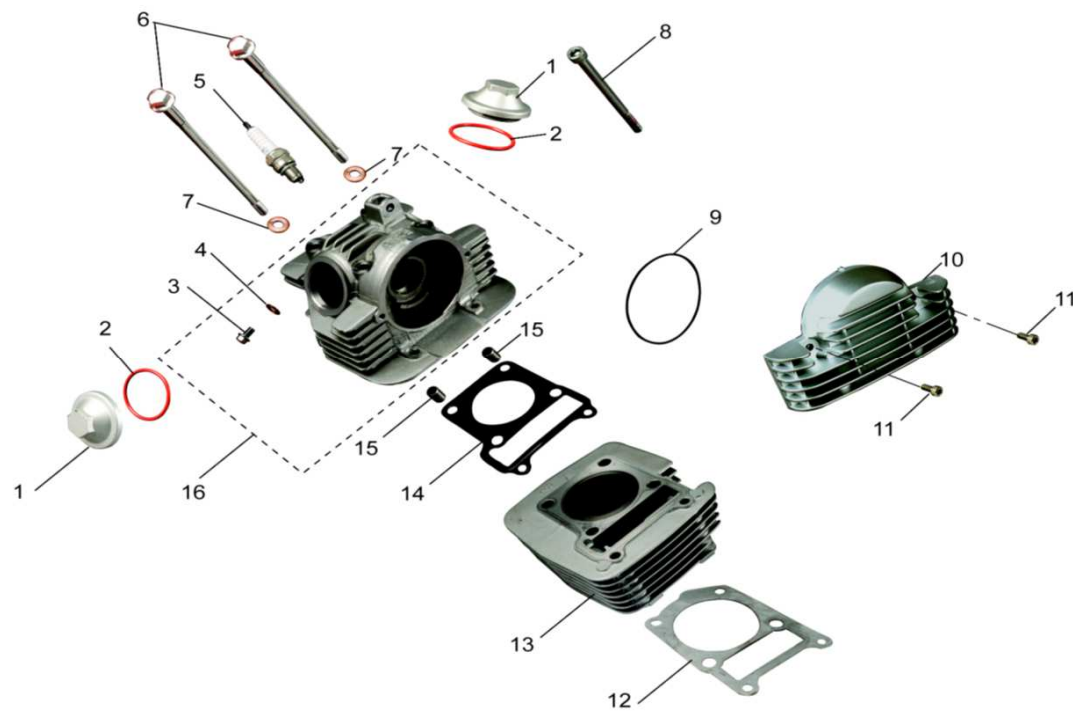
GAS GAS

DICIEMBRE / DECEMBER / DEZEMBER / DÉCEMBRE / DICEMBRE 2012 | 2011

**Cilindro y culata/
Cylinder and head-cylinder**

GAS GAS

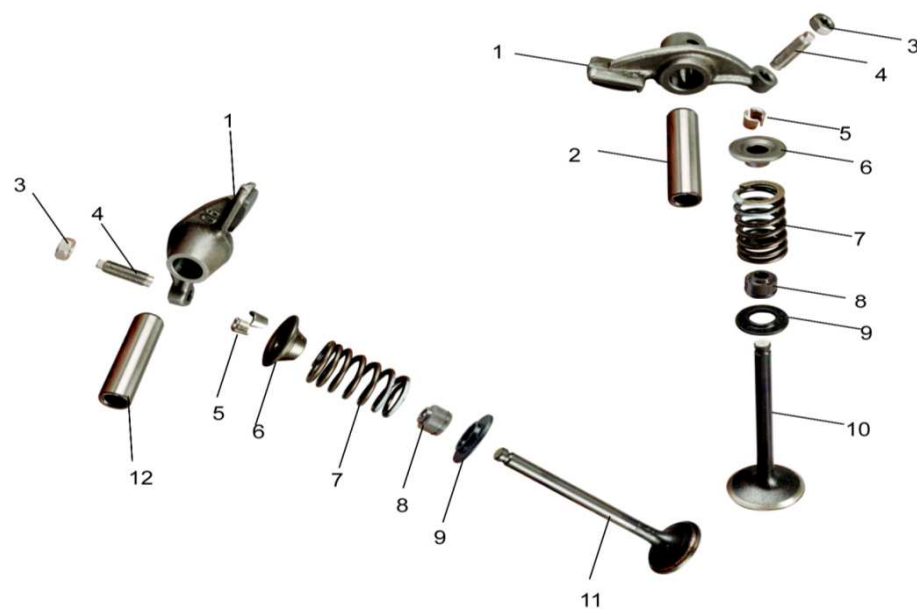
TX RANDONNE 2013



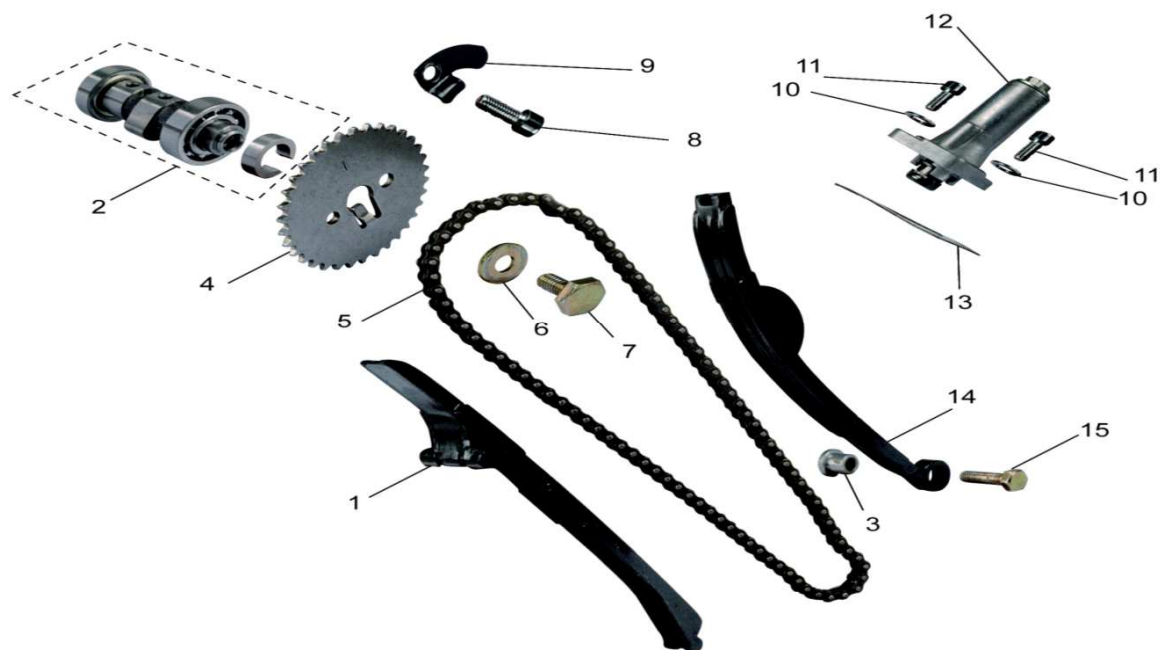
Nº	DESCRIPCION / DESCRIPTION	125	Cant.
1	VALVE COVER	F28-100202-0	2
2	O-RING	ZA1-100602-0	2
3	BOLT	BQ/JRYP80-M6x10	1
4	WASHER	ZA1-100405-0	2
5	SPARK PLUG (NGK - CR8HSA)	A6RTC	1
6	BOLT	F28-100851-0	4
7	WASHER	ZA1-100404-0	4
8	SCREW	BGB/T70.1-M6x90	2
9	O-RING	F28-100601-0	1
10	SPROCKET ROOM SIDE COVER	F28-100201-A	1
11	BOLT	BQ/JRYP80-M6x20	2
12	CYLINDER GASKET	F28-200801-0	1
13	COMBINATION CYLINDER	F28-201000-0	1
14	CYLINDER HEAD GASKET	F28-100401-0	1
15	PIN	BQ/JRYP96-10x14	2
16	CYLINDER HEAD ASSY	F28-111000-0-W1	1

GAS GAS

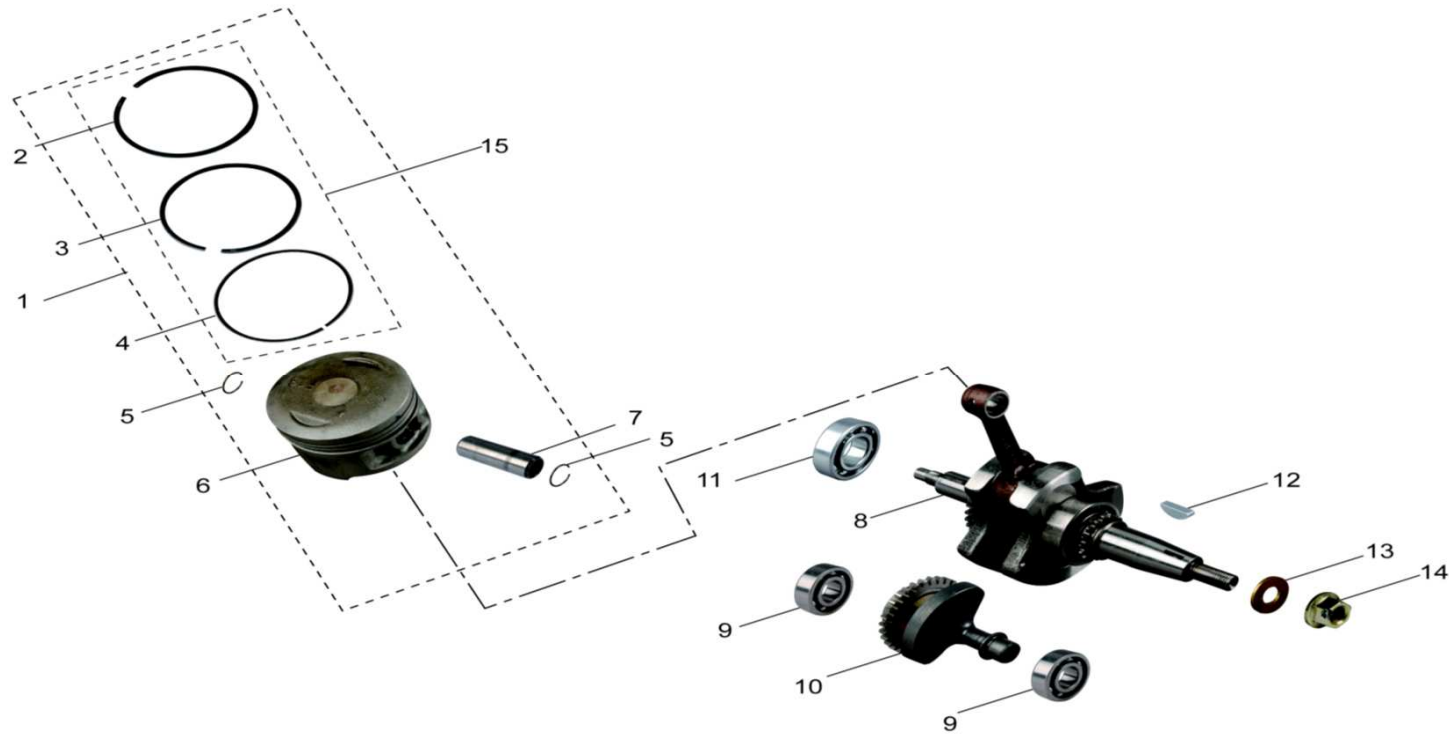
Motor 1



Nº	DESCRIPCION / DESCRIPTION	125	Cant.
1	VALVE ROCKER	F28-110305-0	2
2	ROCKER SHAFT 2	F28-110002-0	1
3	LOCKING NUT	ZA1-110850-0	2
4	ADJUSTMENT SCREW	ZA1-110851-0	2
5	AIR LOCK FOLDER	F13-110302-0	4
6	VALVE SPRING CAP	F13-110301-0	2
7	VALVE SPRING	F13-110701-0	2
8	VALVE ROD SEALS	F13-112000-0	2
9	VALVE SPRING SEAT	F13-110401-0	2
10	INTAKE VALVE	F13-110304-0	1
11	EXHAUST VALVE	F13-110303-0	1
12	ROCKER SHAFT 1	F28-110001-0	1



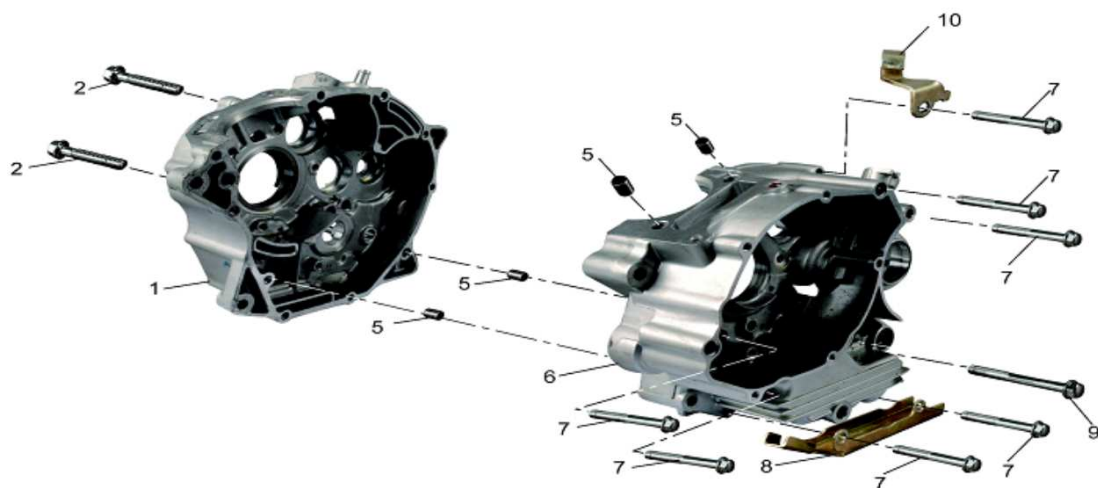
Nº	DESCRIPCION / DESCRIPTION	125	Cant.
1	UNDER THE GUIDE PLATE ASSY	F28-140000-0	1
2	CAMSHAFT COMBINATION	F13-113000-0	1
3	BUSH	F28-100002-0	1
4	TIMING SPROCKET	F28-100001-0	1
5	TIMING CHAINS	F28-130000-0	1
6	WASHER	ZA1-100402-0	1
7	SCREW	ZA1-100850-0	1
8	SCREW	BGB/T70.1M61252	1
9	PLATE	F28-110401-0	1
10	WASHER	ZA1-100405-0	2
11	BOLT	BGB/T70.1M61656	2
12	CHAIN TENSION	ZA1-120000-0	1
13	TENSIONER GASKET	ZA1-100801-0	1
14	THE GUIDE PLATE ASSY	F28-150000-0	1
15	HEXAGON BOLT	BGB/T5783M62032	1



**Cto. Carter / Cranck
case assy**

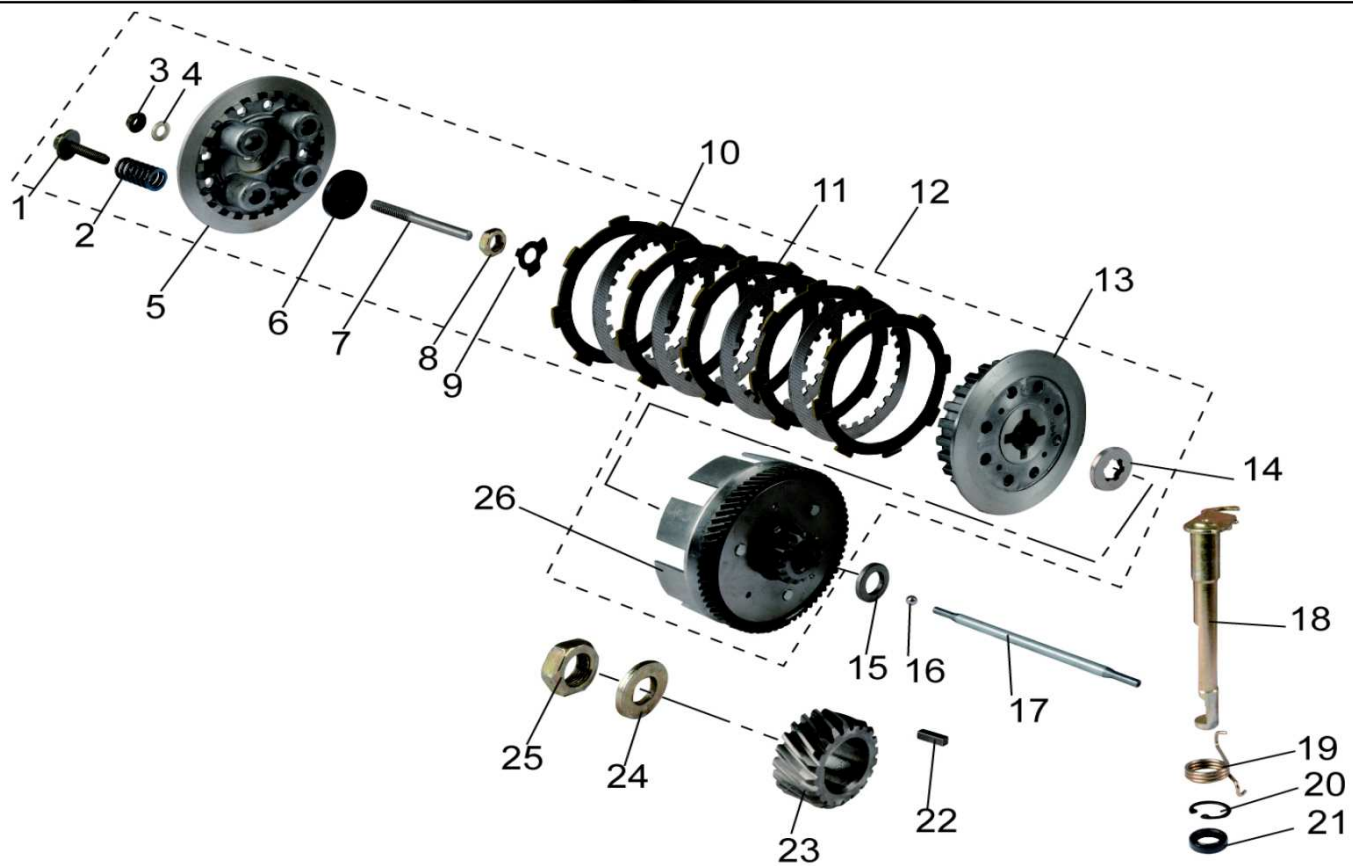
GAS GAS

TX RANDONNE 2013

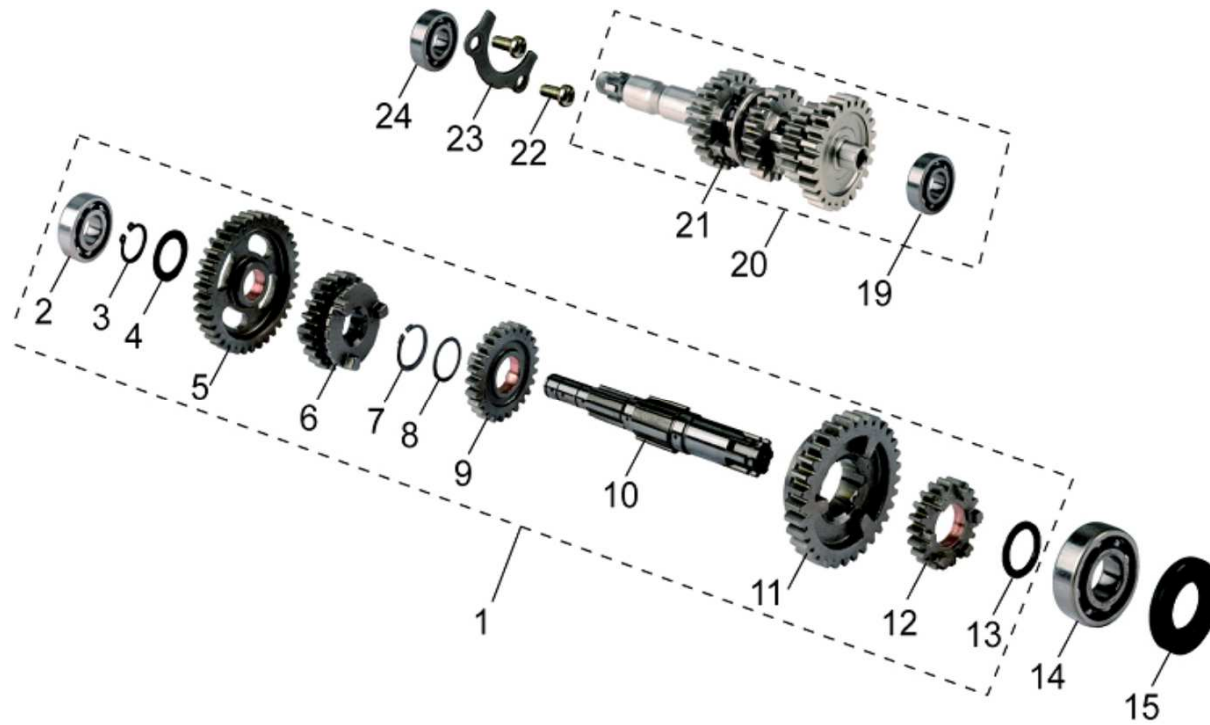


Nº	DESCRIPCION / DESCRIPTION	125	Cant.
1	RIGHT CRANKCASE ASSY	F28-320000-0	1
2	BOLT	BQ/JRYP80M63026	2
5	PIN	BQ/JRYP96101400	4
6	LEFT CRANKCASE ASSY	F28-310000-0	1
7	BOLT	BQ/JRYP80M64526	7
8	WIRE BOARD	F28-300401-0	1
9	BOLT	BQ/JRYP80M65526	1
10	REINFORCEMENT BRACKET	F28-400401-0	1

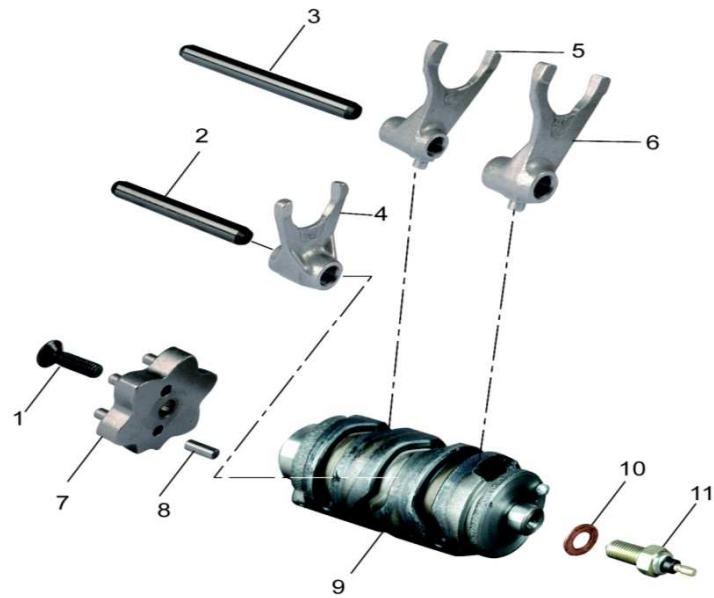
Nº	DESCRIPCION / DESCRIPTION	125	Cant.
	1 LEFT CRANKCASE COVER	F28300201BW1005	1
			1
			1
			1
			1
	2 PIN	BQ/JRYP96101400	2
	3 LEFT COVER GASKET	F28-300801-0	1
	4 VOLTAGE CLAMP	F28-300701-0	1
	5 BOLT	BQ/JRYP80M61021	1
	6 BOLT	BQ/JRYP80M65026	6
	7 BOLT	BQ/JRYP80M63526	8
	8 O-RING	ZA1-300605-0	1
	9 ADJUSTING MANHOLE COVERS	F28-300204-0	1
	10 OBSERVATION HOLE COVER	F28-300202-0	1
	11 O-RING	ZA1-300604-0	1
	12 O-RING	ZA1-300601-0	1
	13 OIL FEET	F28-301000-0	1
	14 RIGHT COVER GASKET	F28-300802-0	1
	15 PIN	BQ/JRYP96101400	2
	16 OIL SEAL	ZA1-303000-0	1
	17 RIGHT CRANKCASE COVER ASSY	F283400000W1005	1
	18 BOLT	BQ/JRYP80M64526	2



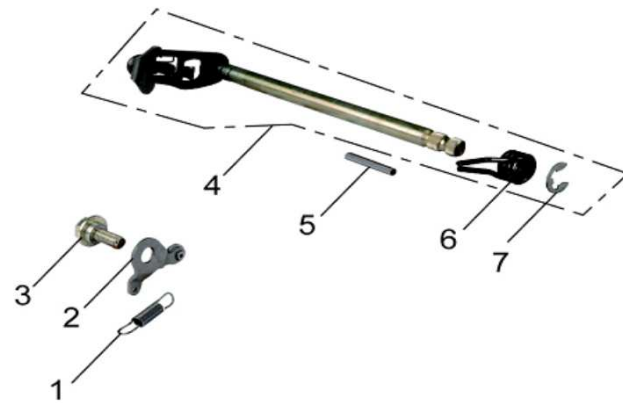
Nº	DESCRIPCION / DESCRIPTION	125	Cant.
1	WITH PAD BOLT	F28-425000-0	4
2	CLUTCH SPRING	F28-420701-0	4
3	HEXAGON NUTS	BGB/T6170-M6-32	1
4	WASHER	BGB/T97.1-6-31	1
5	PLATEN	F28-420201-0	1
6	THRUST PLATE	F28-420851-0	1
7	PUTTONS	F28-420852-0	1
8	NUT	F28-400851-0	1
9	LOCK WASHERS	F28-400402-0	1
10	CLUTCH	F28-420402-0	4
11	FRICTION	F28-426000-0	5
12	CLUTCH	F28-420000-0	1
13	CLUTCH WHEEL COMBINATION	F28-424000-0	1
14	SPLINE WASHER	F28-420401-0	1
15	THRUST WASHERS	F28-400001-0	1
16	BALL	BGBT3084762G10b	1
17	PUSH ROD COMBINATION	F28-401000-0	1
18	CONTROL SHAFT ASSY	F28-430000-0	1
19	TORSION SPRING	F28-400701-0	1
20	HOLE SNAP RING	BGB/T893.1-20B8	1
21	OIL SEAL	F28-402000-0	1
22	FLAT KEY	F28-400002-0	1
23	MAIN DRIVE GEAR	F28-400301-0	1
24	WASHER	ZA1-400401-0	1
25	NUT	ZA1-400850-0	1
26	CLUTCH GEAR ASSY	F28-421000-0	1

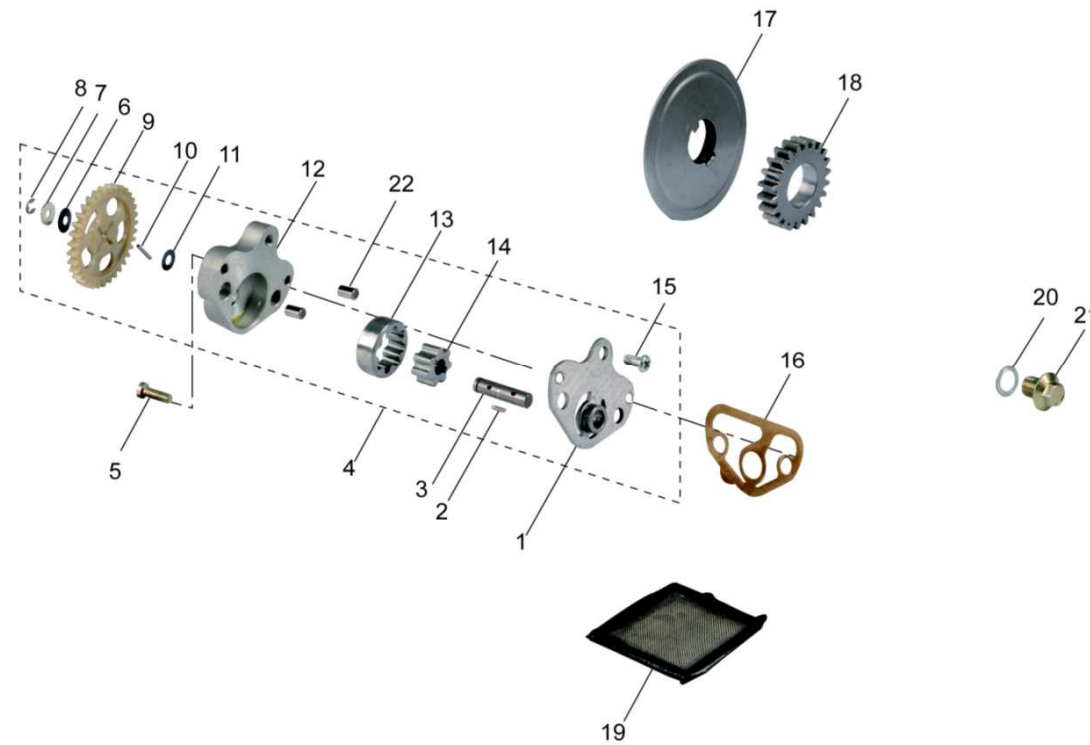


Nº	DESCRIPCION / DESCRIPTION	125	Cant.
1	DRIVE SHAFT ASSY	F28-520000-0	1
2	ROLLING	BGB/T276-6202RS	1
3	CIRCLIP	ZA1-520402-0	1
4	WASHER	F28-520401-0	1
5	A GEAR DRIVEN GEAR	F28-520301-0	1
6	SIDANG DRIVEN GEAR	F28-520304-0	1
7	RING	ZA1-500402-0	1
8	WASHER	ZA1-510401-0	1
9	THIRD GEAR DRIVEN GEAR	F28-520303-0	1
10	DRIVE SHAFT COMBINATION	F28-521000-0	1
11	SECOND GEAR DRIVEN GEAR	F28-520302-0	1
12	5 GEAR DRIVEN GEAR	F28-520305-0	1
13	WASHER	ZA1-520401-0	1
14	ROLLING	BGB/T276-6204	1
15	OIL SEAL	CY80-01-77	1
19	ROLLING	BGB/T276-6201RS	1
20	SPINDLE ASSY	F28-510000-0	1
21	SPINDLE	F28-510301-0	1
22	SCREW	BGB/T823M6x1202	2
23	BEARING SHIELD	F28-500403-0	1
24	ROLLING	BGB/T276-6203	1

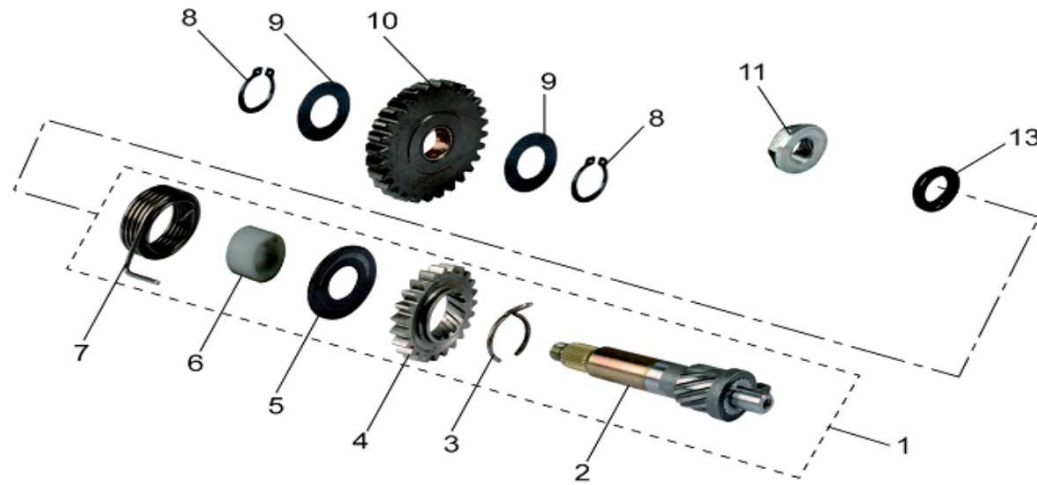


Nº	DESCRIPCION / DESCRIPTION	125	Cant.
1	SCREW	BGB/T70.3M62058	1
2	SHORT GEAR SHAFT	F28-500002-0	1
3	LONG GEAR SHAFT	F28-500001-0	1
4	FORK 2	F28-500302-0	1
5	FORK 3	F28-500303-0	1
6	FORK 1	F28-500301-0	1
7	STAR FERRY	F28-500751-0	1
8	DRIVE SALES	FG-100001-0	1
9	SHIFTING CAMSHAFT ASSY	F28-540000-0	1
10	WASHER	FG-500404-0	1
11	NEUTRAL GEAR SWITCH	FG-508000-0	1

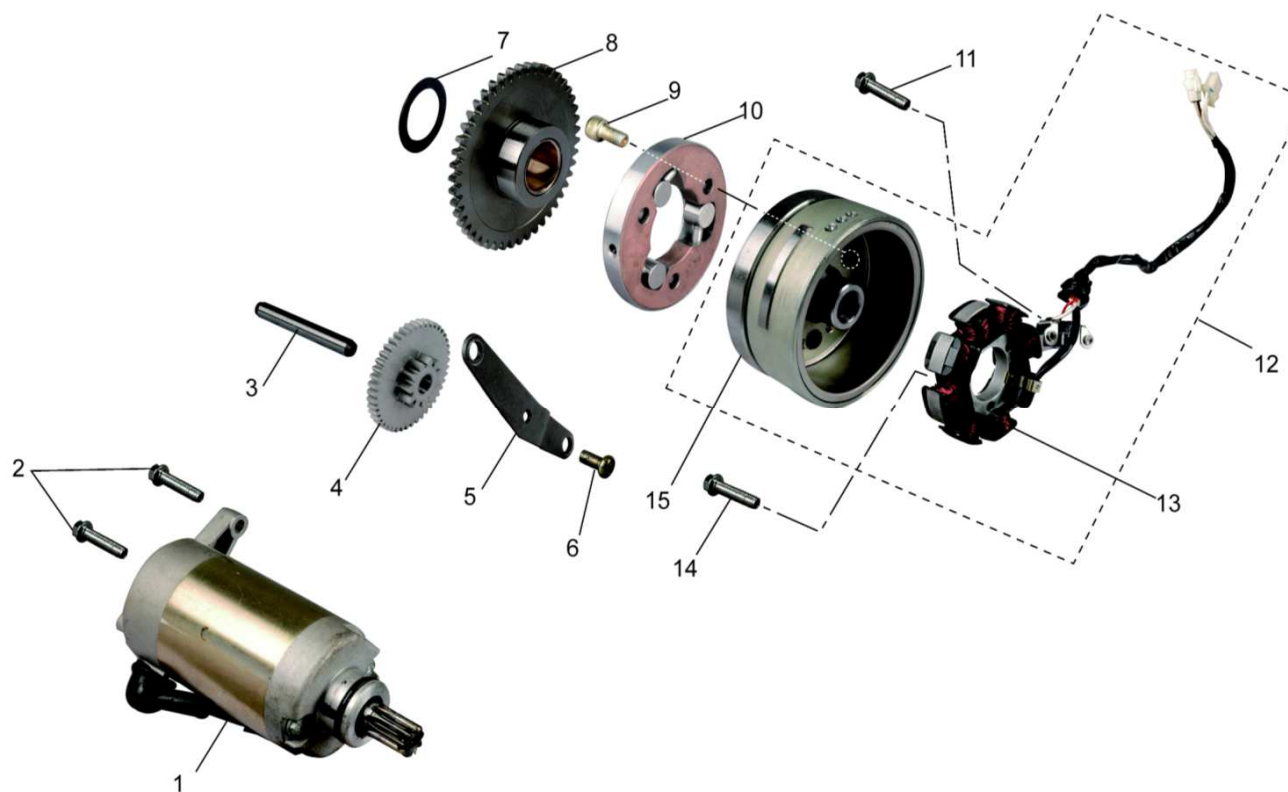




Nº	DESCRIPCION / DESCRIPTION	125	Cant.
1	PUMP SEAL COMBINATION	F28-611000-0	1
2	DRIVE PIN 1	F28-610003-0	1
3	AXIS	F28-610001-0	1
4	OIL PUMP	F28-610000-0	1
5	SCREW	ZA1-600850-0	2
6	CONICAL SPRING WASHER	ZA1-610402-0	1
7	WASHER	F28-610401-0	1
8	E-SHAPED OPENING RING	BQ/JRYP98-5-08	1
9	OIL PUMP GEAR	F28-610601-0	1
10	DRIVE PIN 2	F28-610004-0	1
11	FLAT WASHER	ZA1-610401-0	1
12	PUMP BODY	F28-610201-0	1
13	OUTER ROTOR	F28-612752-0	1
14	INNER ROTOR	F28-612751-0	1
15	SCREW	BQ/JRYP81M51002	1
16	OIL PUMP GASKET	ZA1-600801-0	1
17	OIL FINE FILTER	F28-630000-0	1
18	OIL PUMP DRIVE GEAR	F28-600751-0	2
19	CRUDE OIL FILTER	ZA1-620000-0	1
20	GASKET	ZA1-600401-0	1
21	OIL DRAIN BOLT	ZA1-600851-0	1
22	PIN	F28-610002-0	2



Nº	DESCRIPCION / DESCRIPTION	125	Cant.
	1 RECOIL STARTER	F28-810000-0	1
	2 KICK START SHAFT COMBINATION	F28-811000-0	1
	3 WIRE CLIP	F28-810702-0	1
	4 RECOIL STARTER GEAR	F28-810301-0	1
	5 FLAT WASHER	F28-810401-0	1
	6 SLEEVE	F28-810501-0	1
	7 TORSION SPRING	F28-810701-0	1
	8 CIRCLIP	ZA1-520402-0	2
	9 WASHER	F28-800401-0	2
	10 RECOIL START OFF ROUND OF THE COMBINATION	F28-802000-0	1
	11 NUT	ZA1-400850-0/C6	1
	13 OIL SEAL	F28-801000-0	1



Nº	DESCRIPCION / DESCRIPTION	125	Cant.
	1 STARTING MOTOR	F28-D60000-0	1
	2 BOLT	BQ/JRYP80M62526	2
	3 THROUGH AXLE	F28-800001-0	1
	4 DOUBLE ROUND OVER	F28-800751-0	1
	5 THROUGH ROUND PLATE	F28-800402-0	1
	6 SCREW	BGB/T823-M61202	2
	7 WASHER	FG-800402-0	1
	8 ELECTRIC START LARGE GEAR ASSY	F28-840000-0	1
	9 SCREW	BGB/T70.1M81652	3
	10 ELECTRIC STARTER CLUTCH	FG-830000-0	1
	11 SCREW	BGB/T70.1M61452	2
12	MAGNETO	F28-D52000-0	1
13	MAGNETIC MOTOR	F28-D51000-0	1
	14 SCREW	BGB/T70.1M62552	3
	15 MAGNETO ROTOR	F28-D52000-0	1

