



PARTS CATALOGUE

FZ6-SHG (4S81) EUROPE, SOUTH AFRICA

FZ6-SHG
PARTS CATALOGUE
©2006 by Yamaha Motor Co., Ltd.
1st edition, September 2006
All rights reserved.
Any reprinting or unauthorized use
without the written permission of
Yamaha Motor Co., Ltd.
is expressly prohibited.
Printed in Japan.

A3

FOREWORD

This Parts Catalogue is related to the parts for the model(s) on the cover page. When you are ordering replacement parts, please refer to this Parts Catalogue and quote both part numbers and part names correctly.

1. Modifications or additions which have been made after the issue of the Parts Catalogue will be announced in the Parts News.

It is advisable that you make the necessary corrections to the Parts Catalogue according to the Parts News.

2. Abbreviations

The following abbreviations are used in this Parts Catalogue.

“UR” Use specified parts number.

“UN” Use as many as needed.

“AP” Alternate Parts

“LM” Locally Made (Parts need to be ordered locally)

“F#” Frame No. (Applicable machine No.)

“O/S” Over Size

3. The number of components for assembly

- Parts, which are to be supplied in an assembly, are listed with a dot (.) in front of the part name as shown below.
- The numeral appearing to the right of each component part indicates the quantity of parts for each assembly unit.

PART NO.	DESCRIPTION	Q'TY	REMARKS
2F5-83310-60	FRONT FLASHER LIGHT ASSY	2	
115-83311-60	.BULB (6V-18W)	1	

4. Applicable colours of graphics are represented in the “REMARKS” as shown below.

PART NO.	DESCRIPTION	Q'TY	REMARKS
2N4-24110-00-X5	FUEL TANK COMP.	2	MXR
3J1-24240-10	.GRAPHIC, FUEL TANK	1	FOR MXR

5. Note that the illustrations for reference in finding parts numbers are not to be used for assembling. When assembling, please use the applicable service manual.

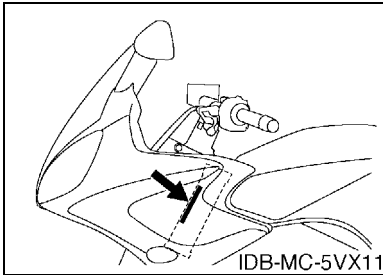
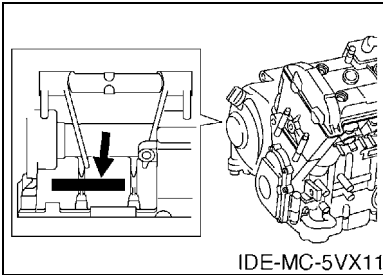
6. The asterisk (*) before a reference number indicates modified items after the first edition.

FOREWORD

7. Applicable Serial No.

Engine Serial No.

Frame Serial No.



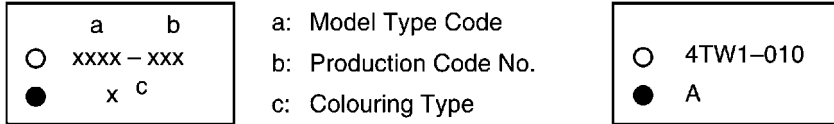
8. Applicable Colour Code (The (*) mark shows Model colour.)

Abbreviation	Colour Name	Colour Code
DPBMC(*)	DEEP PURPLISH BLUE METALLIC C	0564
DRMK(*)	DEEP RED METALLIC K	0918
LGB	LOW GLOSS BLACK	0098
SMX(*)	BLACK METALLIC X	0903

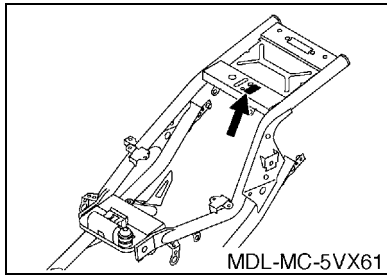
MODEL LABEL

(1) A label called "Model Label" is affixed in the location as indicated in (3) below. When using this parts catalogue, please be sure to cross-reference the "model code – production code No." in the catalogue with the "model code – production code No." indicated on the Model Label affixed onto the product concerned.

(2) "Model Label" Indication



(3) Model Label Affixing Location



(4) Colouring Information

Model Code	Colouring Type Code	Colour Code	Colour Name	Abbreviation
4S81	A	0903	BLACK METALLIC X	SMX
	B	0918	DEEP RED METALLIC K	DRMK
	C	0564	DEEP PURPLISH BLUE METALLIC C	DPBMC

(5) Model Code – Production Code Number of Model Listed in This Parts Catalogue

Model Code	Production Code No.	Country (destination)	Model Code	Production Code No.	Country (destination)
4S81	010	EUROPE			
	030	DENMARK			
		FINLAND			
		NORWAY			
		SWEDEN			
	050	UNITED KINGDOM			
	060	GREECE			
070	IRELAND				
	SOUTH AFRICA				

CONTENTS

ENGINE

CYLINDER	B2
CRANKSHAFT & PISTON	B3
VALVE	B4
CAMSHAFT & CHAIN	B6
WATER PUMP	B7
RADIATOR & HOSE	B8
OIL PUMP	B10
OIL CLEANER	B11
INTAKE	B12
INTAKE 2	B13
AIR INDUCTION SYSTEM	B15
EXHAUST	C2
CRANKCASE	C4
CRANKCASE COVER 1	C6
STARTER	C8
CLUTCH	C9
TRANSMISSION	C11
SHIFT CAM & FORK	C13
SHIFT SHAFT	C14

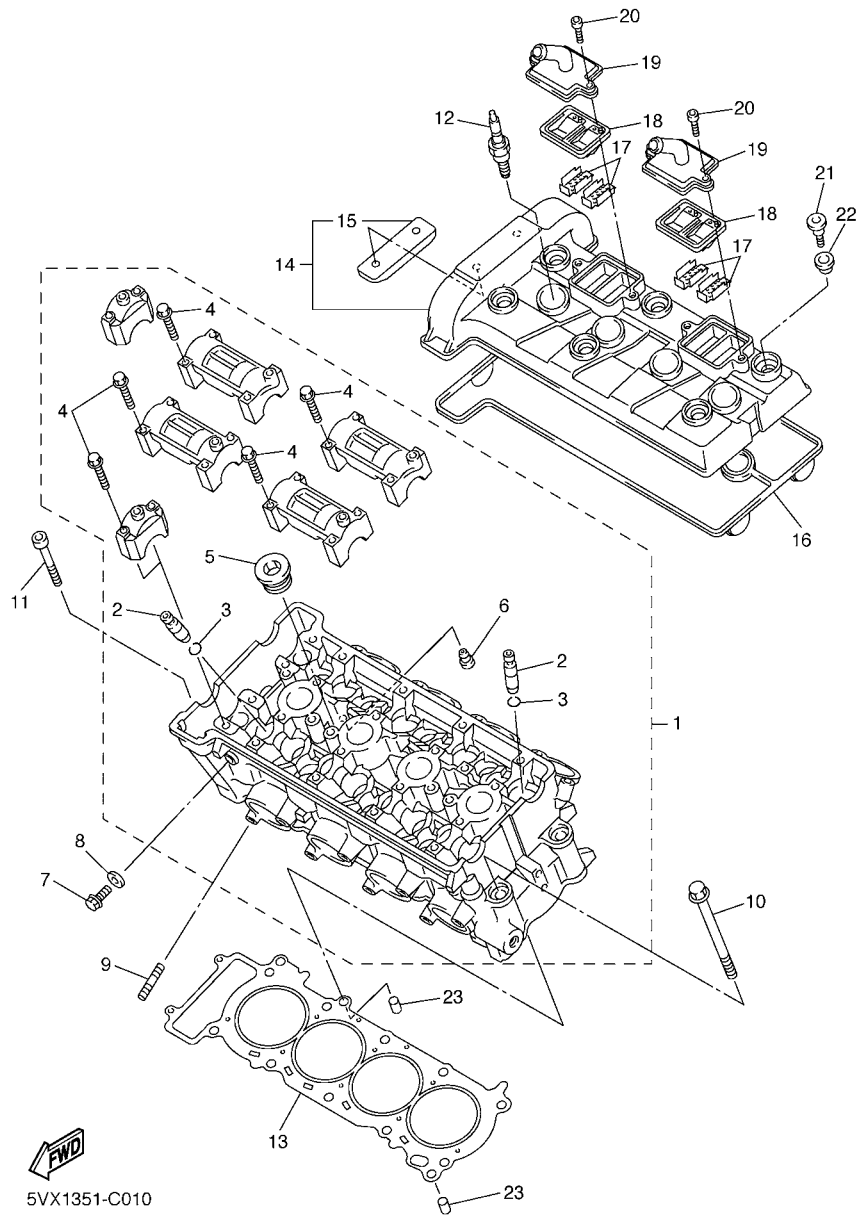
CHASSIS

FRAME	D2
FENDER	D5
SIDE COVER	D7
REAR ARM	D8
REAR SUSPENSION	D9
STEERING	D10
FRONT FORK	D11
FUEL TANK	D13
SEAT	D15
FRONT WHEEL	E2
FRONT BRAKE CALIPER	E3
REAR WHEEL	E4
REAR BRAKE CALIPER	E6
STEERING HANDLE & CABLE	E7
FRONT MASTER CYLINDER	E8
STAND & FOOTREST	E9
REAR MASTER CYLINDER	E12
COWLING 1	E13
GENERATOR	E15
STARTING MOTOR	F2

FLASHER LIGHT	F3
METER	F4
HEADLIGHT	F5
TAILLIGHT	F6
HANDLE SWITCH & LEVER	F7
ELECTRICAL 1	F8
ELECTRICAL 2	F9

INDEX

NUMERICAL INDEX	M1
-----------------------	----



5VX1351-C010

FIG. 1 CYLINDER

REF. NO.	PART NO.	DESCRIPTION	4S81				REMARKS
1	1B3-11101-00	CYLINDER HEAD ASSY	1				
2	5EB-11133-10	.GUIDE, VALVE 1	16				
3	93440-10153	.CIRCLIP	16				
4	90105-06027	.BOLT, FLANGE	20				
5	90340-20090	.PLUG, STRAIGHT SCREW	3				
6	11H-15138-00	.NOZZLE 1	1				
7	95027-08012	BOLT, FLANGE	1				
8	90430-08119	GASKET	1				
9	95617-08625	BOLT, STUD	8				
10	90119-10003	BOLT, WITH WASHER	10				
11	91314-06060	BOLT	2				
12	94701-00403	PLUG, SPARK (NGK CR9EK)	4				
13	5VX-11181-00	GASKET, CYLINDER HEAD 1	1				
14	1B3-11191-00	COVER, CYLINDER HEAD 1	1				
15	5BE-12241-00	.GUIDE, STOPPER 2	1				
16	5SL-11193-00	GASKET, HEAD COVER 1	1				
17	5SL-1482K-00	PLATE	4				
18	5SL-14890-00	REED VALVE ASSY	2				
19	5SL-14899-00	CAP, CASE	2				
20	91317-06020	BOLT	4				
21	90109-066F0	BOLT	6				
22	4KG-1111G-00	RUBBER, MOUNT 1	6				
23	99530-10114	PIN, DOWEL	2				

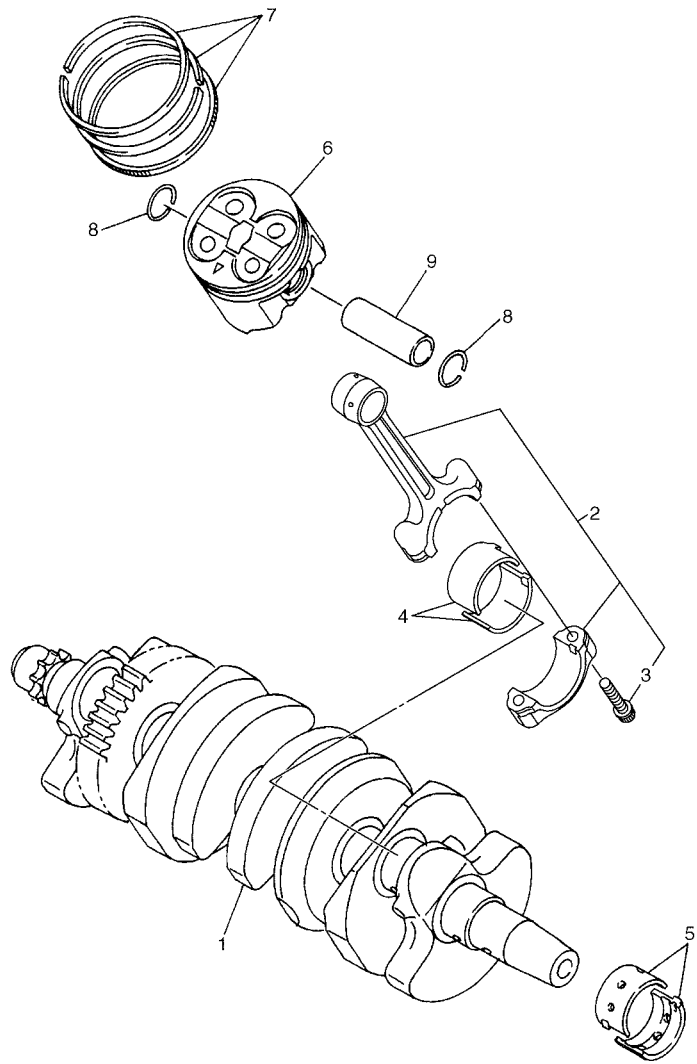
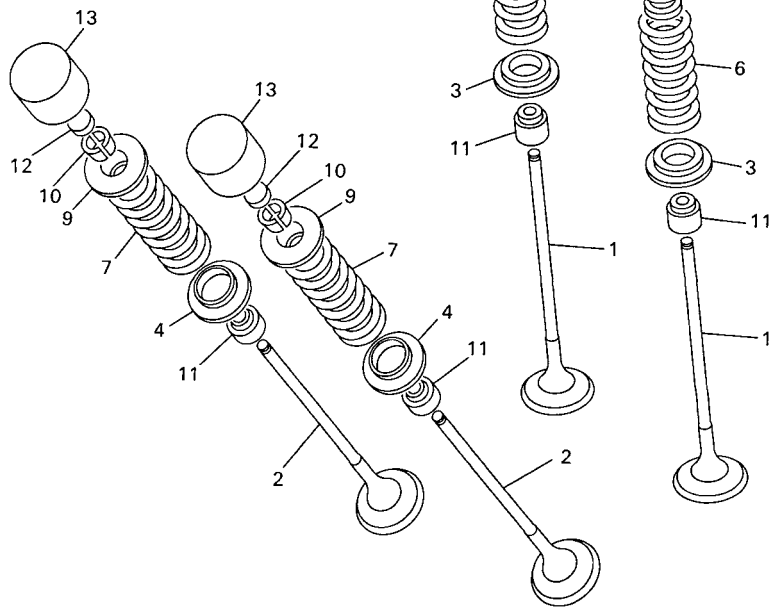


FIG. 2 CRANKSHAFT & PISTON

REF. NO.	PART NO.	DESCRIPTION	4S81				REMARKS
1	5SL-11411-00	CRANKSHAFT	1				
2	5VX-11650-00	CONNECTING ROD ASSY	4				
3	5VX-11654-00	.BOLT, CONNECTING ROD	2				
4	5VX-11656-00	PLANE BEARING, CONNECTING ROD	8				UR BLUE
	5VX-11656-10	PLANE BEARING, CONNECTING ROD	8				UR BLACK
	5VX-11656-20	PLANE BEARING, CONNECTING ROD	8				UR BROWN
	5VX-11656-30	PLANE BEARING, CONNECTING ROD	8				UR GREEN
5	5EB-11416-A0	PLANE BEARING, CRANKSHAFT 1	10				UR WHITE
	5EB-11416-00	PLANE BEARING, CRANKSHAFT 1	10				UR BLUE
	5EB-11416-10	PLANE BEARING, CRANKSHAFT 1	10				UR BLACK
	5EB-11416-20	PLANE BEARING, CRANKSHAFT 1	10				UR BROWN
	5EB-11416-30	PLANE BEARING, CRANKSHAFT 1	10				UR GREEN
6	5SL-11631-00	PISTON (STD)	4				
7	5SL-11603-00	PISTON RING SET (STD)	4				
8	93450-17129	CIRCLIP	8				
9	5EB-11633-00	PIN, PISTON	4				



5VX6300-D020

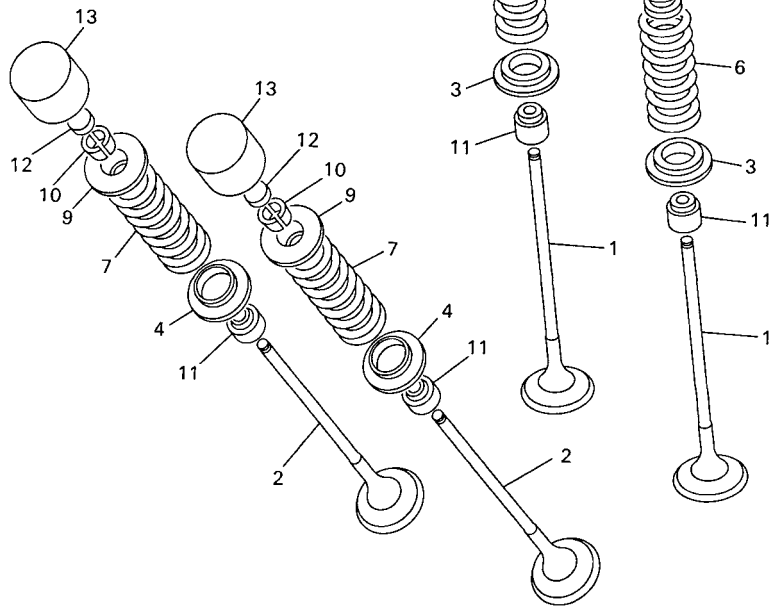


5EB3351-9030

FIG. 3 VALVE

REF. NO.	PART NO.	DESCRIPTION	4S81				REMARKS
1	5SL-12111-10	VALVE, INTAKE	8				
2	5SL-12121-10	VALVE, EXHAUST	8				
3	5SL-12116-00	SEAT, VALVE SPRING	8				
4	5EB-12126-00	SEAT, VALVE SPRING 2	8				
5	5EB-12113-00	SPRING, VALVE INNER	8				
6	5EB-12114-00	SPRING, VALVE OUTER	8				
7	5EB-12124-01	SPRING, VALVE OUTER	8				
8	5EB-12117-00	RETAINER, VALVE SPRING	8				
9	5EB-12127-00	RETAINER, VALVE SPRING	8				
10	1HX-12118-00	COTTER, VALVE	32				
11	4TV-12119-00	SEAL, VALVE STEM	16				
12	1HX-12168-00	PAD, ADJUSTING 2 (1.20)	16				UR
	1HX-12168-20	PAD, ADJUSTING 2 (1.25)	16				UR
	1HX-12168-40	PAD, ADJUSTING 2 (1.30)	16				UR
	1HX-12168-60	PAD, ADJUSTING 2 (1.35)	16				UR
	1HX-12168-80	PAD, ADJUSTING 2 (1.40)	16				UR
	1HX-12168-A0	PAD, ADJUSTING 2 (1.45)	16				UR
	1HX-12168-F0	PAD, ADJUSTING 2 (1.50)	16				UR
	1HX-12168-H1	PAD, ADJUSTING 2 (1.55)	16				UR
	1HX-12168-K1	PAD, ADJUSTING 2 (1.60)	16				UR
	1HX-12168-M1	PAD, ADJUSTING 2 (1.65)	16				UR
	1HX-12168-R1	PAD, ADJUSTING 2 (1.70)	16				UR
	1HX-12168-U1	PAD, ADJUSTING 2 (1.75)	16				UR
	1HX-12168-W1	PAD, ADJUSTING 2 (1.80)	16				UR
	1HX-12168-Y1	PAD, ADJUSTING 2 (1.85)	16				UR
	1HX-12169-11	PAD, ADJUSTING 2 (1.90)	16				UR
	1HX-12169-31	PAD, ADJUSTING 2 (1.95)	16				UR

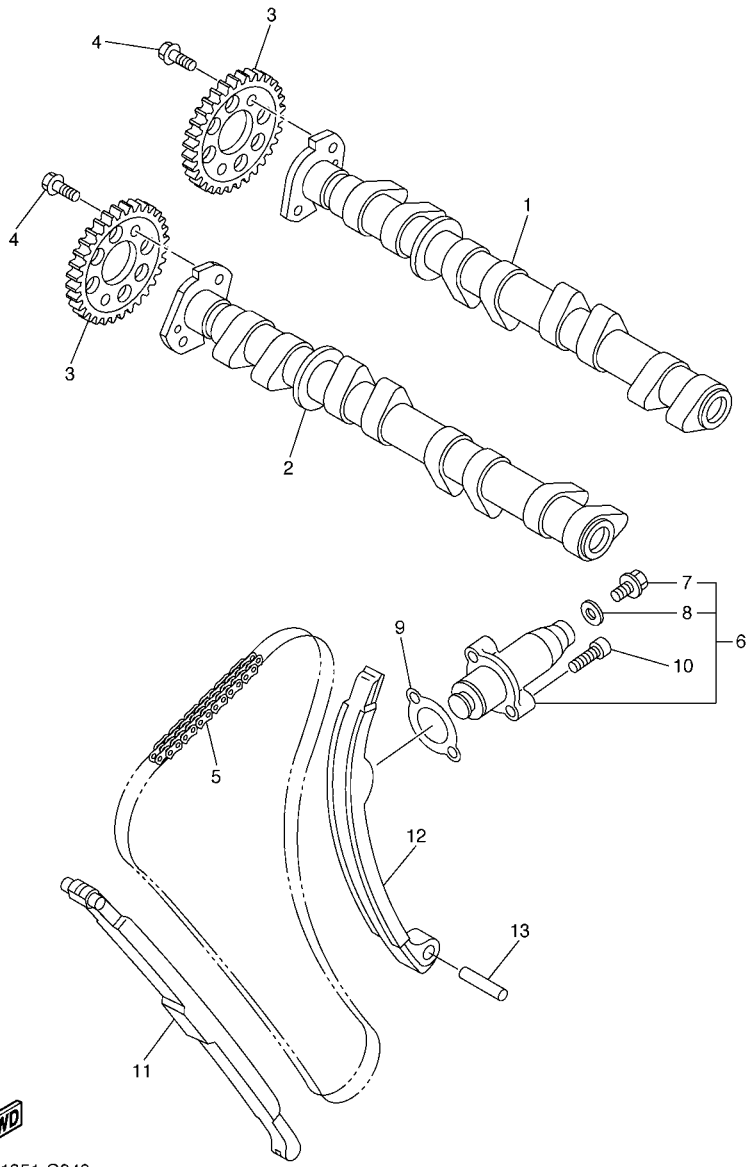
B4



5EB3351-9030

FIG. 3 VALVE

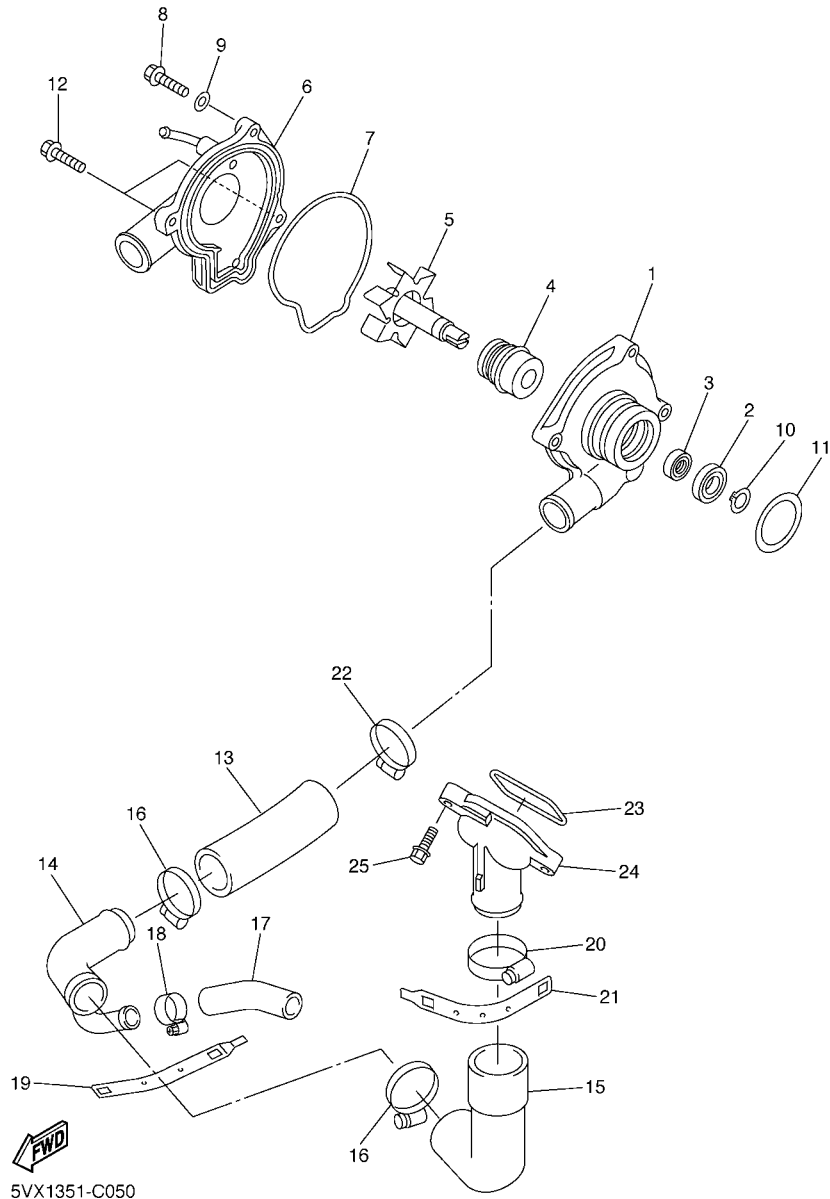
REF. NO.	PART NO.	DESCRIPTION	4S81				REMARKS
12	1HX-12169-50	PAD, ADJUSTING 2 (2.00)	16				UR
	1HX-12169-70	PAD, ADJUSTING 2 (2.05)	16				UR
	1HX-12169-90	PAD, ADJUSTING 2 (2.10)	16				UR
	1HX-12169-E0	PAD, ADJUSTING 2 (2.15)	16				UR
	1HX-12169-G0	PAD, ADJUSTING 2 (2.20)	16				UR
	1HX-12169-J0	PAD, ADJUSTING 2 (2.25)	16				UR
	1HX-12169-L0	PAD, ADJUSTING 2 (2.30)	16				UR
	1HX-12169-N0	PAD, ADJUSTING 2 (2.35)	16				UR
	1HX-12169-T0	PAD, ADJUSTING 2 (2.40)	16				UR
13	5EB-12153-20	LIFTER, VALVE	16				UR BLUE
	5EB-12153-30	LIFTER, VALVE	16				UR RED
	5EB-12153-09	LIFTER, VALVE (O/S)	16				AP GREEN



5VX1351-C040

FIG. 4 CAMSHAFT & CHAIN

REF. NO.	PART NO.	DESCRIPTION	4S81				REMARKS
1	5VX-12170-00	CAMSHAFT ASSY 1	1				
2	5VX-12180-00	CAMSHAFT ASSY 2	1				
3	5VX-12176-00	SPROCKET, CAM CHAIN	2				
4	90105-07004	BOLT, FLANGE	4				
5	94591-49120	CHAIN	1				
6	5SL-12210-10	TENSIONER ASSY, CAM CHAIN	1				
7	5EL-12228-00	.BOLT	1				
8	5SL-12214-00	.GASKET	1				
9	4FM-12213-00	GASKET, TENSIONER CASE	1				
10	91314-06025	BOLT	2				
11	5EB-12251-00	DAMPER, CHAIN 1	1				
12	5EB-12252-10	DAMPER, CHAIN 2	1				
13	93607-44190	PIN, DOWEL	1				



5VX1351-C050

FIG. 5 WATER PUMP

REF. NO.	PART NO.	DESCRIPTION	4S81				REMARKS
1	5EB-12421-00	HOUSING, WATER PUMP	1				
2	93306-00106	BEARING	1				
3	93101-12173	OIL SEAL	1				
4	11H-12438-10	SEAL, MECHANICAL	1				
5	5EB-12450-00	IMPELLER SHAFT ASSY	1				
6	5SL-12422-00	COVER, HOUSING	1				
7	5EB-12439-00	O-RING	1				
8	95024-06020	BOLT, FLANGE	2				
9	90430-06014	GASKET	1				
10	99009-12400	CIRCLIP	1				
11	93210-33133	O-RING	1				
12	90110-06086	BOLT, HEXAGON SOCKET HEAD	2				
13	4NK-12579-00	HOSE 4	1				
14	5VX-12581-00	JOINT, HOSE 1	1				
15	5EB-12577-01	HOSE 2	1				
16	90450-35001	HOSE CLAMP ASSY	2				
17	5SL-12588-01	HOSE 5	1				
18	90450-22017	HOSE CLAMP ASSY	1				
19	5GV-1246E-00	COVER 2	1				
20	90450-38040	HOSE CLAMP ASSY	1				
21	5GV-1246A-00	COVER 1	1				
22	90450-32001	HOSE CLAMP ASSY	1				
23	93210-46001	O-RING	1				
24	5EB-12469-00	JOINT 1	1				
25	90105-06053	BOLT, FLANGE	2				

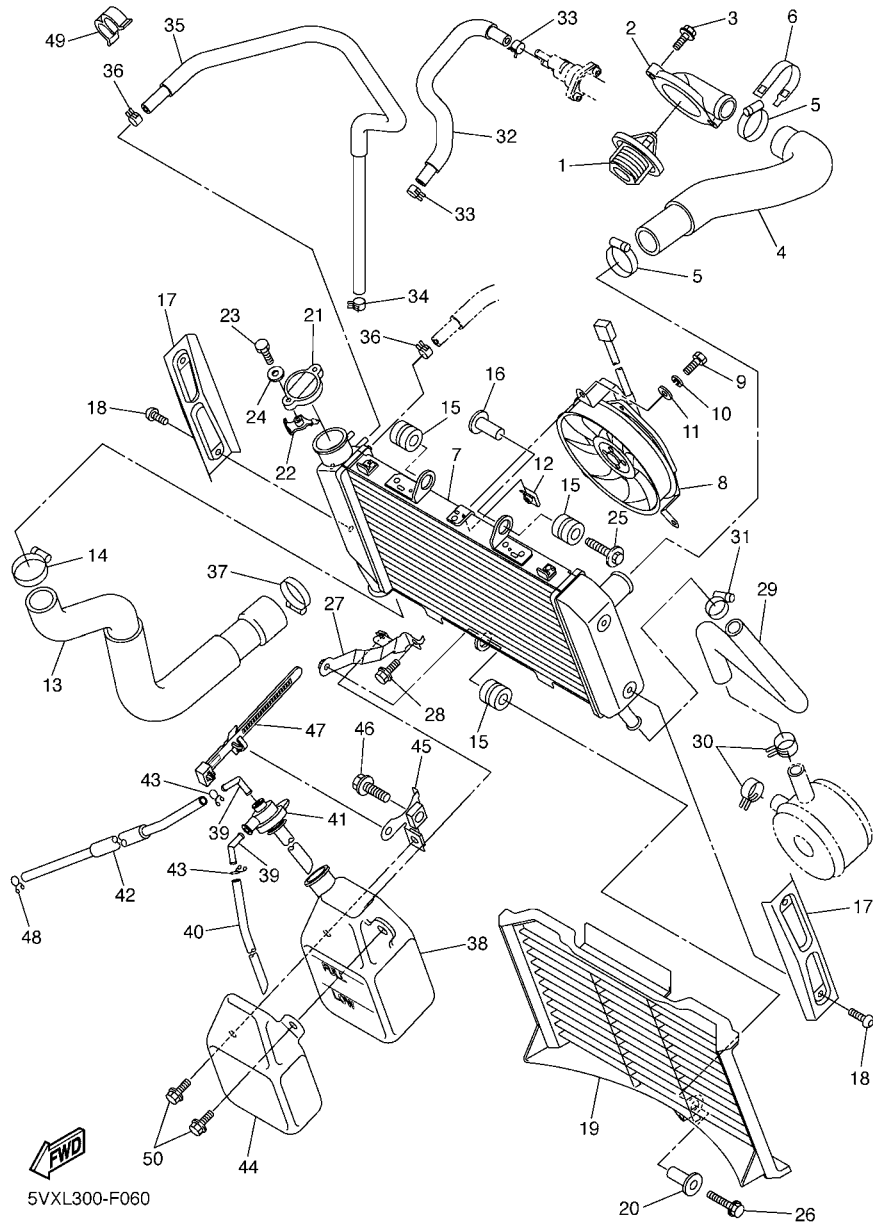


FIG. 6 RADIATOR & HOSE

REF. NO.	PART NO.	DESCRIPTION	4S81				REMARKS
1	5SL-12410-00	THERMOSTAT ASSY	1				
2	5VX-12413-00	COVER, THERMOSTAT	1				
3	90105-06557	BOLT, FLANGE	2				
4	4S8-12578-00	HOSE 3	1				
5	90450-35001	HOSE CLAMP ASSY	2				
6	5GV-1246E-00	COVER 2	1				
7	4S8-12461-00	RADIATOR ASSY	1				
8	4S8-12405-00	BLOWER ASSY	1				
9	97307-06012	BOLT	3				
10	92907-06100	WASHER, SPRING	3				
11	92907-06600	WASHER, PLATE	3				
12	1AA-12535-00	PLATE	3				
13	4S8-12579-00	HOSE 4	1				
14	90450-32003	HOSE CLAMP ASSY	1				
15	90480-15363	GROMMET	3				
16	90387-0614M	COLLAR	1				
17	5VX-1240J-00	RADIATOR COVER ASSY1	2				
18	90111-06031	BOLT, HEX. SOCKET BUTTON	4				
19	4S8-12467-00	COVER, RADIATOR	1				
20	90387-066H4	COLLAR	1				
21	1B3-12462-00	CAP, RADIATOR	1				
22	5FC-12437-00	STOPPER	1				
23	97004-05012	BOLT	1				
24	92904-05600	WASHER	1				
25	90119-06038	BOLT, WITH WASHER	1				
26	95824-06030	BOLT, FLANGE	1				
27	4S8-1244E-00	BRACKET 1	1				

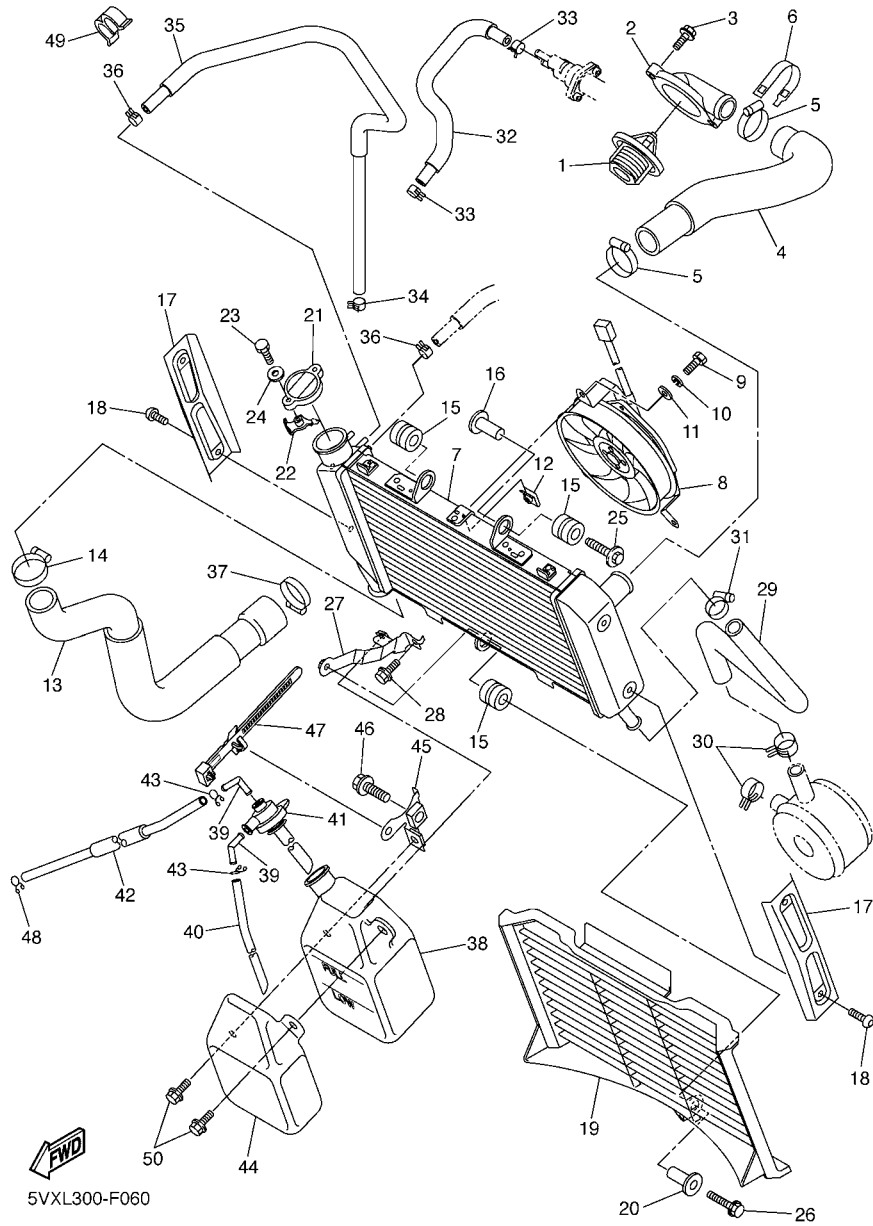
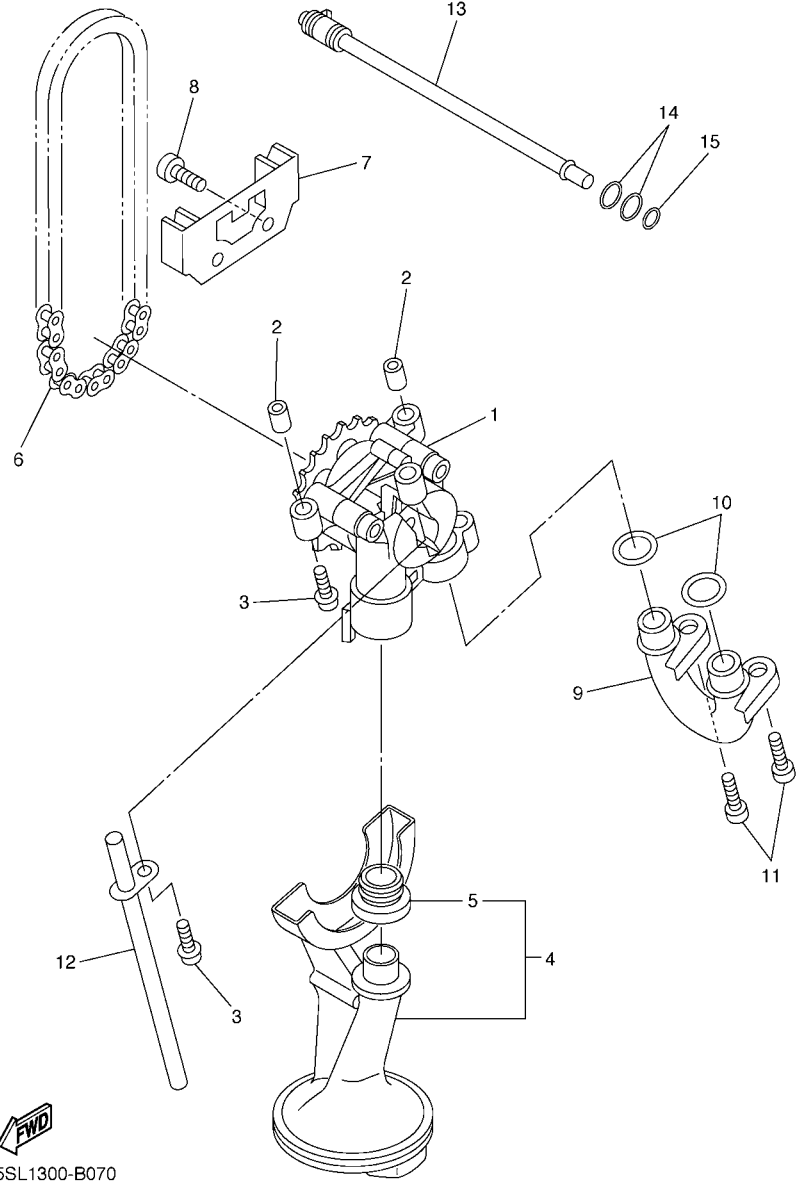


FIG. 6 RADIATOR & HOSE

REF. NO.	PART NO.	DESCRIPTION	4S81				REMARKS
28	95824-06012	BOLT, FLANGE	1				
29	4S8-12589-00	HOSE 6	1				
30	90467-200A0	CLIP	2				
31	90450-22017	HOSE CLAMP ASSY	1				
32	5VX-1243A-00	HOSE 1	1				
33	90467-11090	CLIP	2				
34	90467-11090	CLIP	1				
35	5VX-1244G-00	HOSE, 4	1				
36	90467-11090	CLIP	2				
37	90450-32001	HOSE CLAMP ASSY	1				
38	4P5-21871-00	TANK, RECOVERY	1				
39	26H-21828-00	ELBOW	2				
40	90445-081F2	HOSE (L200)	1				
41	3P6-21875-00	CAP	1				
42	90445-08025	HOSE	1				
43	90467-08075	CLIP	2				
44	4P5-2172W-00	COVER	1				
45	4P5-21873-00	BRACKET, RECOVERY TANK	1				
46	95024-10020	BOLT, FLANGE	1				
47	90464-07012	CLAMP	1				
48	90467-08075	CLIP	1				
49	90464-12238	CLAMP	1				
50	90105-060A6	BOLT, FLANGE	2				

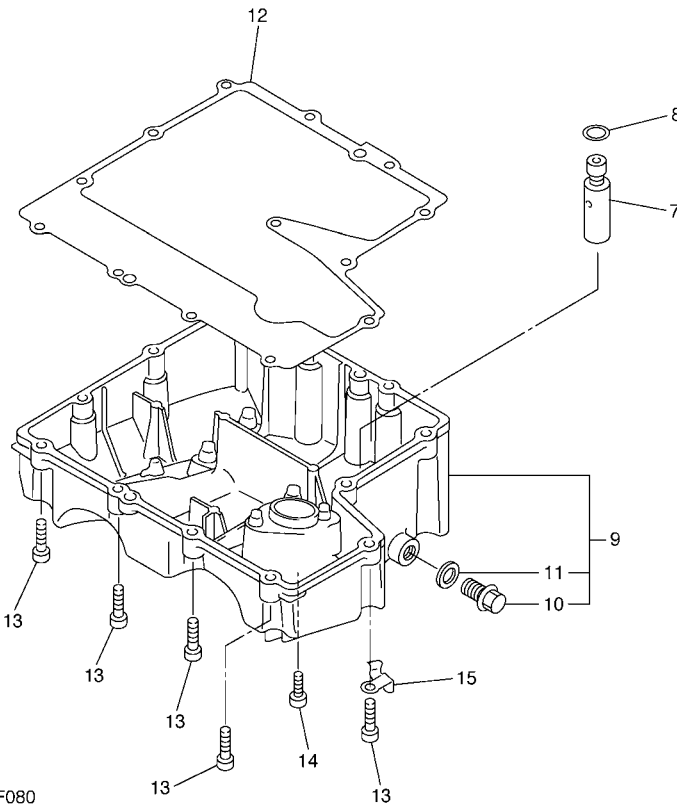
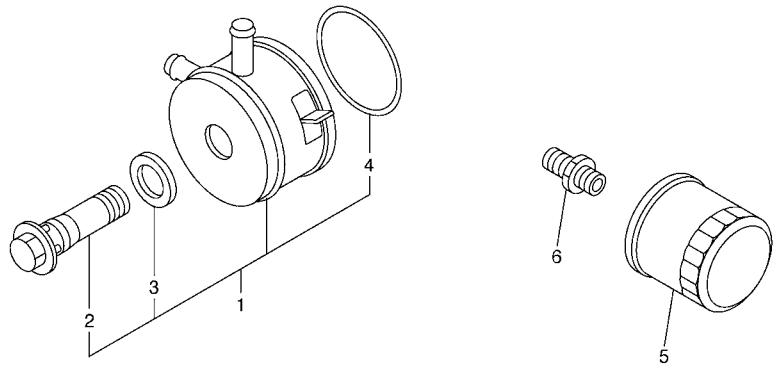


5SL1300-B070

FIG. 7 OIL PUMP

REF. NO.	PART NO.	DESCRIPTION	4S81				REMARKS
1	5MT-13300-00	OIL PUMP ASSY	1				
2	91808-17032	PIN, DOWEL	2				
3	90109-06031	BOLT	3				
4	5SL-13410-00	STRAINER HOUSING ASSY	1				
5	5EB-13415-00	.SEAL, OIL STRAINER	1				
6	94580-25080	CHAIN	1				
7	5EB-13898-00	HOLDER	1				
8	90110-06161	BOLT, HEXAGON SOCKET HEAD	2				
9	2C0-13416-00	PIPE, OIL 1	1				
10	93210-14003	O-RING	2				
11	90110-06161	BOLT, HEXAGON SOCKET HEAD	2				
12	5EB-13161-00	PIPE, DELIVERY 1	1				
13	5EB-1316E-00	PIPE, DELIVERY 5	1				
14	93210-09165	O-RING	2				
15	93210-06667	O-RING	1				

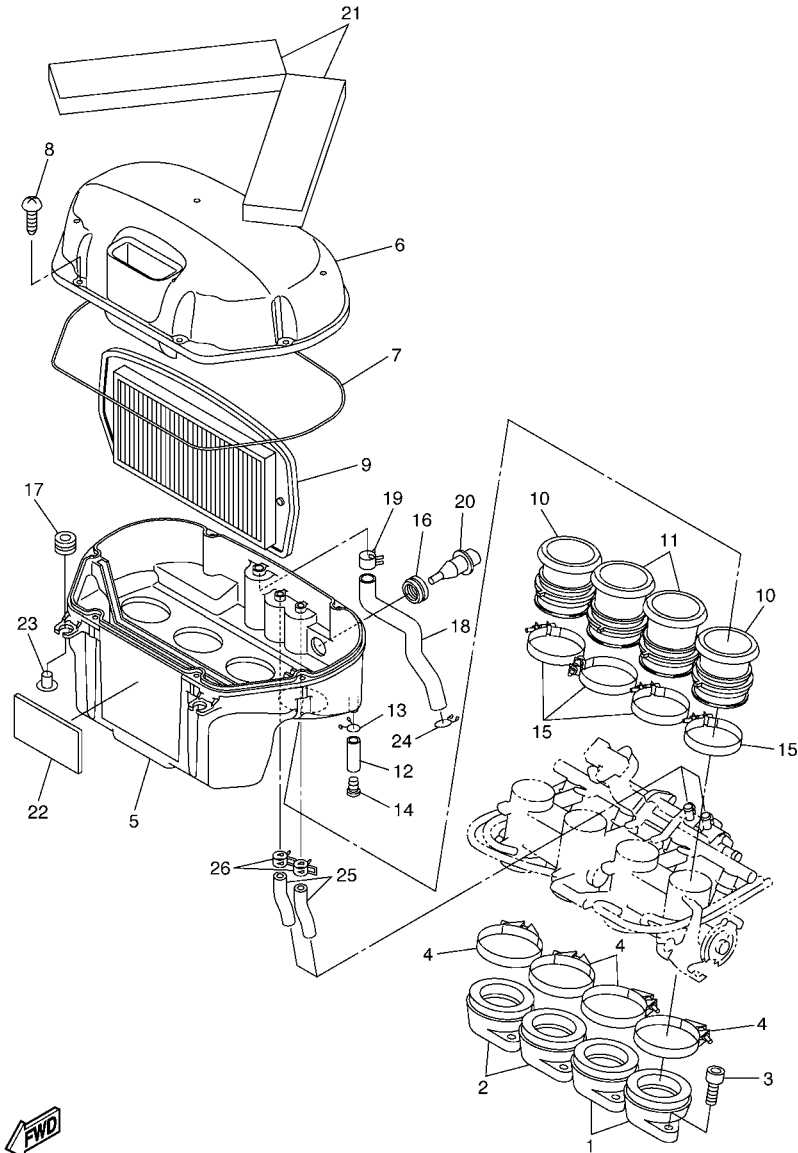
B10



FWD
5VXL300-F080

FIG. 8 OIL CLEANER

REF. NO.	PART NO.	DESCRIPTION	4S81				REMARKS
1	5EB-13470-00	OIL COOLER ASSY	1				
2	5EB-12822-00	.BOLT, UNION	1				
3	5EB-13475-00	.GASKET	1				
4	5JW-13473-00	.O-RING	1				
5	5GH-13440-20	ELEMENT ASSY, OIL CLEANER	1				
6	90401-20145	BOLT, UNION	1				
7	3KS-13490-00	RELIEF VALVE ASSY	1				
8	93210-15566	O-RING	1				
9	4S8-13417-00	COVER, STRAINER	1				
10	90340-14132	.PLUG, STRAIGHT SCREW	1				
11	214-11198-01	.GASKET	1				
12	5VX-13414-01	GASKET, STRAINER COVER	1				
13	91312-06025	BOLT	12				
14	90110-06169	BOLT, HEXAGON SOCKET HEAD	1				
15	90465-10030	CLAMP	1				



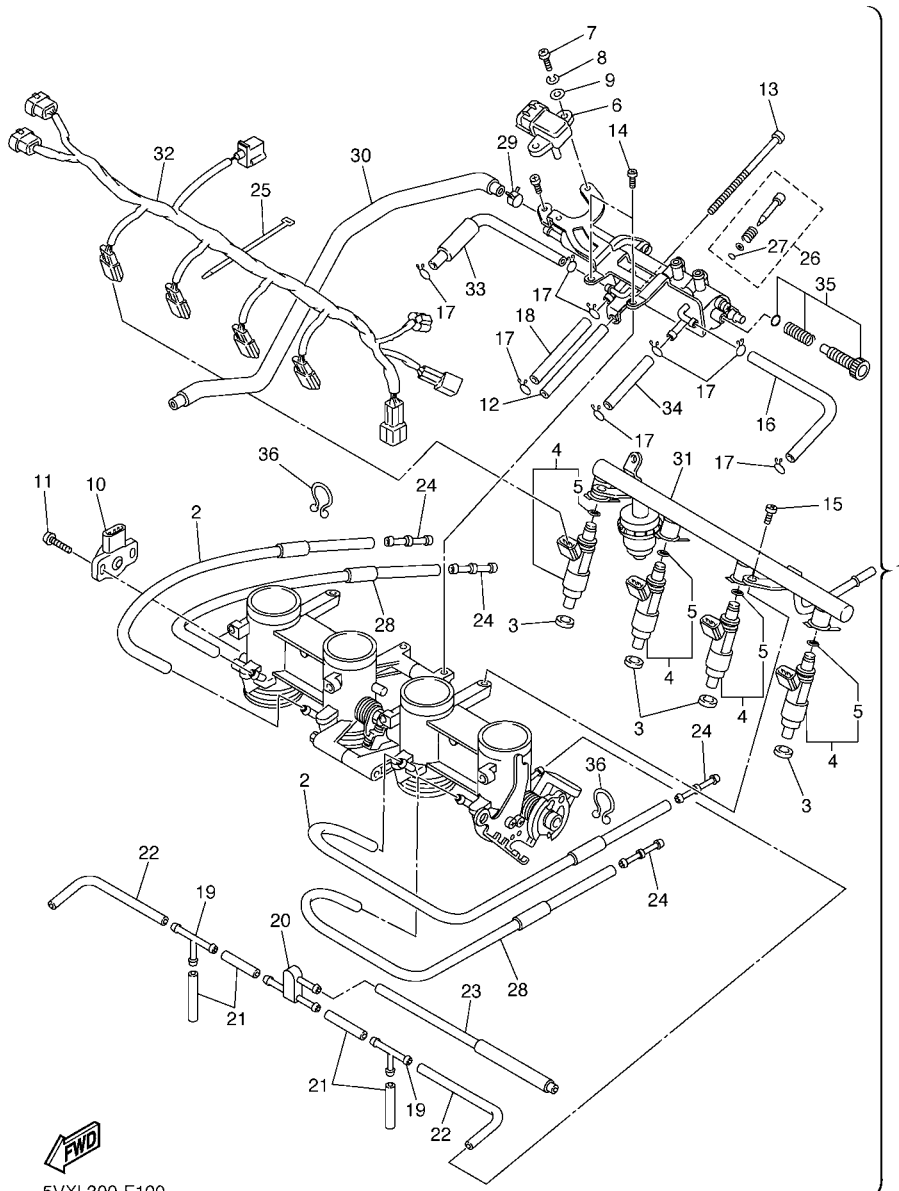
5VX3100-C090

FIG. 9 INTAKE

REF. NO.	PART NO.	DESCRIPTION	4S81				REMARKS
1	5SL-13586-01	JOINT, CARBURETOR 1	2				
2	5SL-13596-01	JOINT, CARBURETOR 2	2				
3	91317-06020	BOLT	8				
4	90450-63003	HOSE CLAMP ASSY	4				
5	5VX-14411-00	CASE, AIR CLEANER 1	1				
6	5VX-14421-00	CASE, AIR CLEANER 2	1				
7	5VX-14452-00	SEAL	1				
8	97707-50025	SCREW, TAPPING	6				
9	5VX-14451-00	ELEMENT, AIR CLEANER	1				
10	5VX-14453-00	JOINT, AIR CLEANER 1	2				
11	5VX-14463-00	JOINT, AIR CLEANER 2	2				
12	90445-11795	HOSE (L30)	1				
13	90467-10041	CLIP	1				
14	90338-08174	PLUG	1				
15	90450-53002	HOSE CLAMP ASSY	4				
16	5CA-14435-00	GROMMET	1				
17	90480-12314	GROMMET	2				
18	5VX-15373-00	PIPE, BREATHER	1				
19	90467-15054	CLIP	1				
20	5CA-85886-00	SENSOR, AIR TEMPRATURE	1				
21	5VX-14409-00	DAMPER	2				
22	5EJ-2414H-00	DAMPER, PLATE 1	1				
23	90387-06073	COLLAR	2				
24	90467-14015	CLIP	1				
25	5VX-14148-01	PIPE	2				
26	90467-17089	CLIP	2				

FIG. 10 INTAKE 2

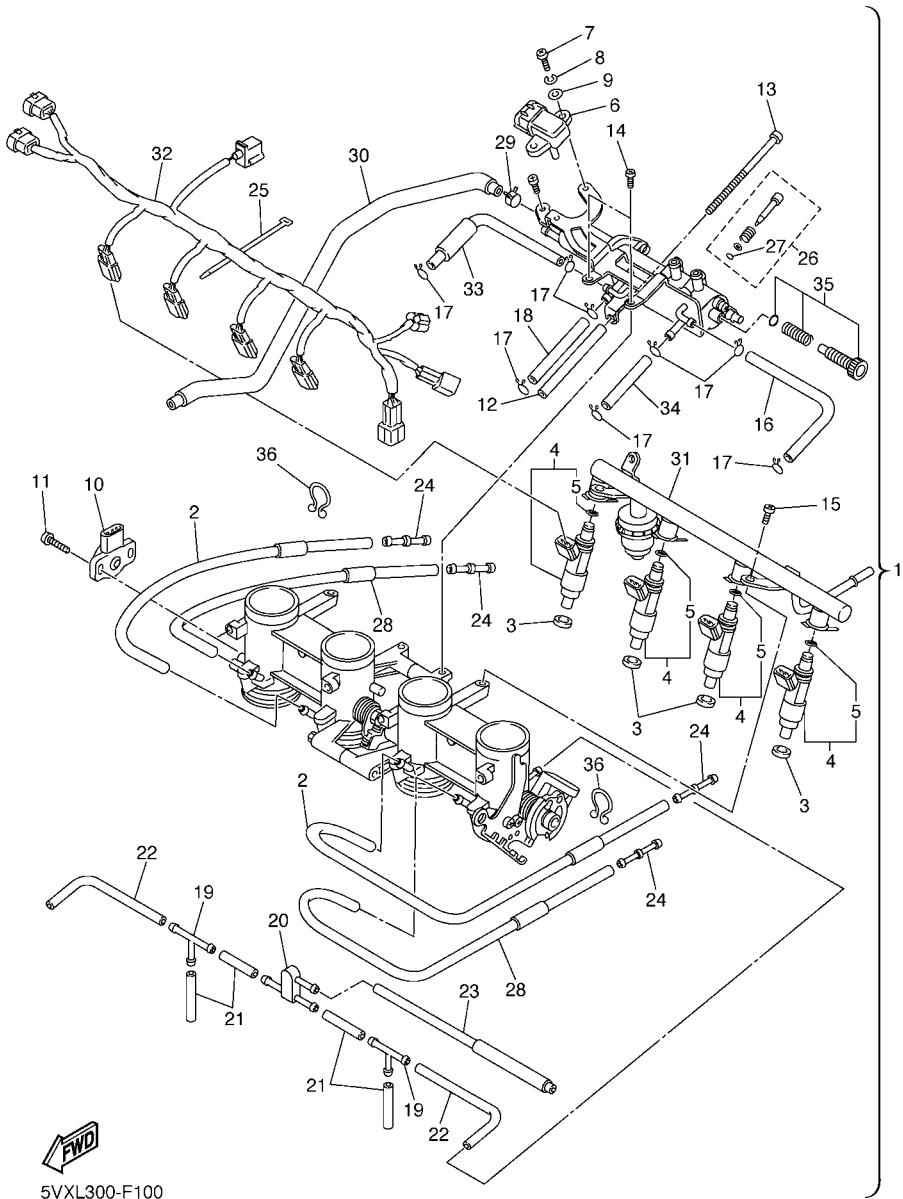
REF. NO.	PART NO.	DESCRIPTION	4S81				REMARKS
1	5VX-13750-03	THROTTLE BODY ASSY	1				
2	5VX-14348-00	.PIPE 1	2				
3	90430-09002	.GASKET	4				
4	5VX-13761-00	.INJECTOR ASSY	4				
5	5PS-14147-00	..O-RING	1				
6	5VX-82380-00	.SENSOR, PRESSURE	1				
7	98507-05016	.SCREW, PAN HEAD	2				
8	92907-05100	.WASHER, SPRING	2				
9	92907-05600	.WASHER, PLATE	2				
10	5FL-85885-02	.THROTTLE SENSOR ASSY	1				
11	8CC-14216-10	.SCREW	2				
12	5VX-14149-00	.PIPE	1				
13	5VX-14565-00	.SCREW	1				
14	98507-05010	.SCREW, PAN HEAD	2				
15	98507-06012	.SCREW, PAN HEAD	2				
16	5VX-14396-00	.PIPE	1				
17	3UH-14937-00	.CLIP	8				
18	5VX-14987-00	.HOSE	1				
19	68V-24376-00	.PIPE, JOINT 1	2				
20	3XV-14251-00	.NIPPLE	1				
21	5FL-14348-10	.PIPE 1	4				
22	68V-13533-00	.HOSE, VACUUM SENSING 4	2				
23	5VX-1410E-00	.HOSE	1				
24	5PW-14251-00	.NIPPLE	4				
25	4KM-14137-00	.CLIP	1				
26	5JW-14104-00	.AIR SCREW SET	4				
27	3H1-14147-00	..O-RING	1				



FWD
5VXL300-F100

FIG. 10 INTAKE 2

REF. NO.	PART NO.	DESCRIPTION	4S81				REMARKS
28	5VX-14349-00	.PIPE	2				
29	90467-11090	.CLIP	1				
30	5VX-1243E-00	.HOSE 2	1				
31	5VX-13160-00	.DELIVERY PIPE ASSY 1	1				
32	5VX-82386-00	.EXTENSION, WIRE HARNESS	1				
33	5VX-13533-00	.HOSE, VACUUM SENSING 4	1				
34	5VX-14807-00	.HOSE	1				
35	5VX-14503-00	.ADJUST SCREW SET	1				
36	90464-23041	.CLAMP	2				



FWD
5VXL300-F100



5VX1351-C110

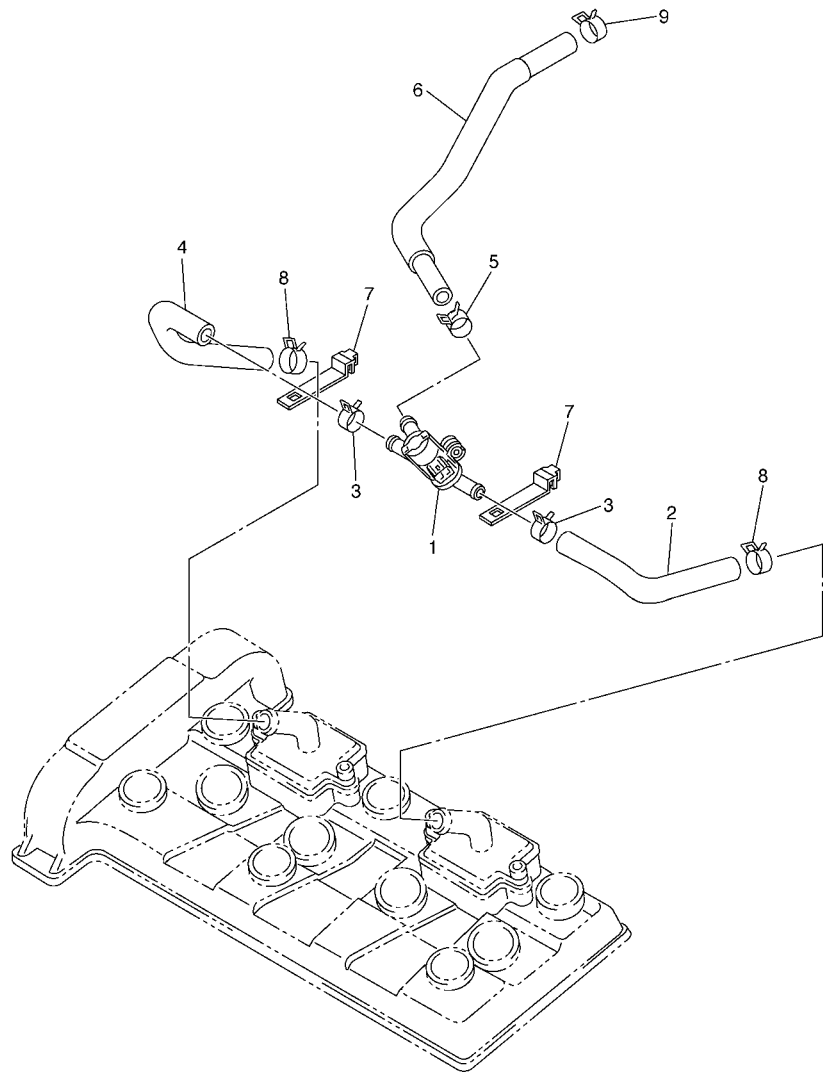
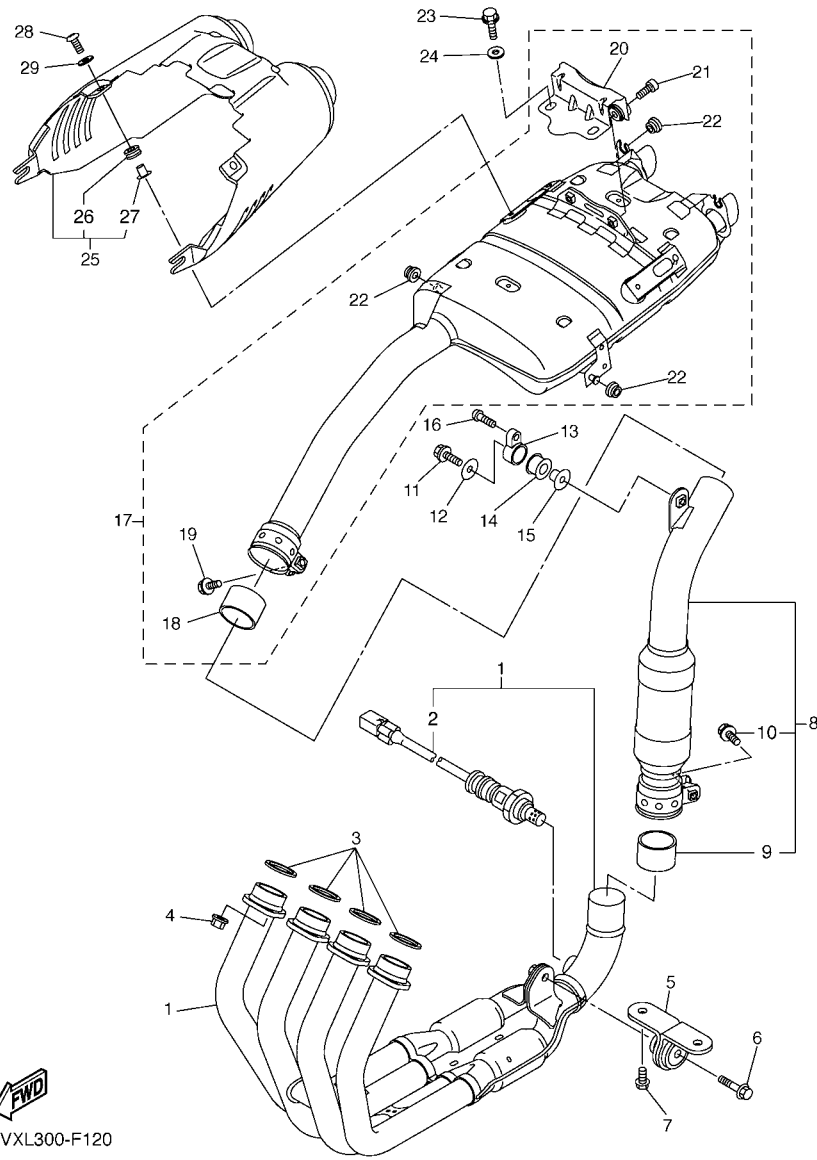


FIG. 11 AIR INDUCTION SYSTEM

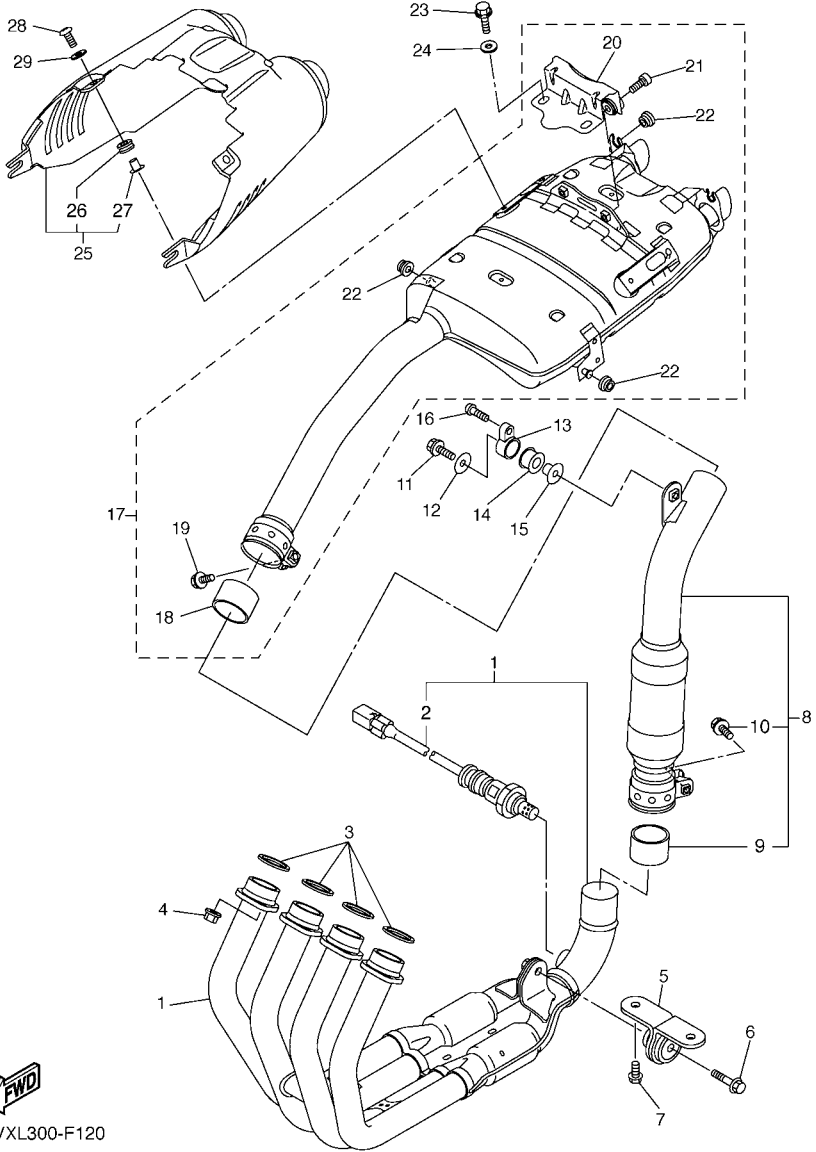
REF. NO.	PART NO.	DESCRIPTION	4S81				REMARKS
1	5VX-14840-00	AIR CUT VALVE ASSY	1				
2	5VX-14881-00	HOSE, BEND 1	1				
3	90467-17089	CLIP	2				
4	5VX-14882-00	HOSE, BEND 2	1				
5	90467-17089	CLIP	1				
6	5VX-14883-00	HOSE, BEND 3	1				
7	5JW-14723-00	COVER 1	2				
8	90467-17003	CLIP	2				
9	90467-17128	CLIP	1				

FIG. 12 EXHAUST



5VXL300-F120

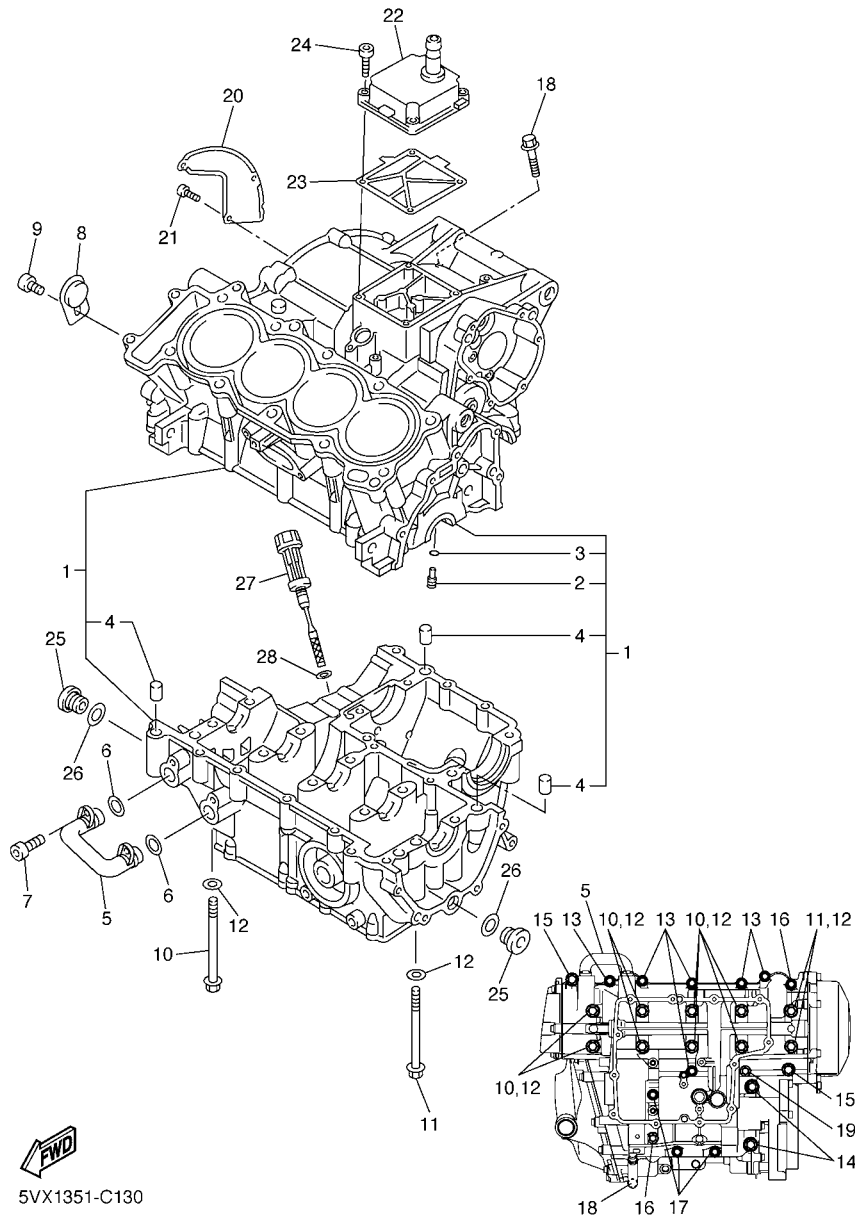
REF. NO.	PART NO.	DESCRIPTION	4S81				REMARKS
1	4S8-14610-00	EXHAUST PIPE ASSY 1	1				
2	2D1-8592A-00	.SENSOR	1				
3	3YF-14613-01	GASKET, EXHAUST PIPE	4				
4	90179-08410	NUT	8				
5	4S8-21445-00	STAY, MUFFLER 1	1				
6	90105-08063	BOLT, FLANGE	1				
7	90105-08021	BOLT, FLANGE	2				
8	4S8-14740-00	CATALYST ASSY.	1				
9	5VY-14714-00	.GASKET, MUFFLER	1				
10	95814-08045	.BOLT, FLANGE	1				
11	95812-08035	BOLT, FLANGE	1				
12	90201-08034	WASHER, PLATE	1				
13	5VX-21446-10	STAY, MUFFLER 2	1				
14	4XV-27424-00	DAMPER, MUFFLER	1				
15	90387-082W9	COLLAR	1				
16	92014-08045	BOLT, BUTTON HEAD	1				
17	5VX-14710-01	MUFFLER ASSY 1	1				
18	5EB-14714-01	.GASKET, MUFFLER	1				
19	95814-08045	.BOLT, FLANGE	1				
20	5VX-1467K-00	.BRACKET, SILENCER 3	1				
21	91317-08030	.BOLT	2				
22	90480-10332	.GROMMET	4				
23	95812-08014	BOLT, FLANGE	2				
24	90201-082U5	WASHER, PLATE	2				
25	5VX-14708-10	PROTECTOR ASSY	1				
26	90480-12006	.GROMMET	2				
27	90387-061N6	.COLLAR	2				



5VXL300-F120

FIG. 12 EXHAUST

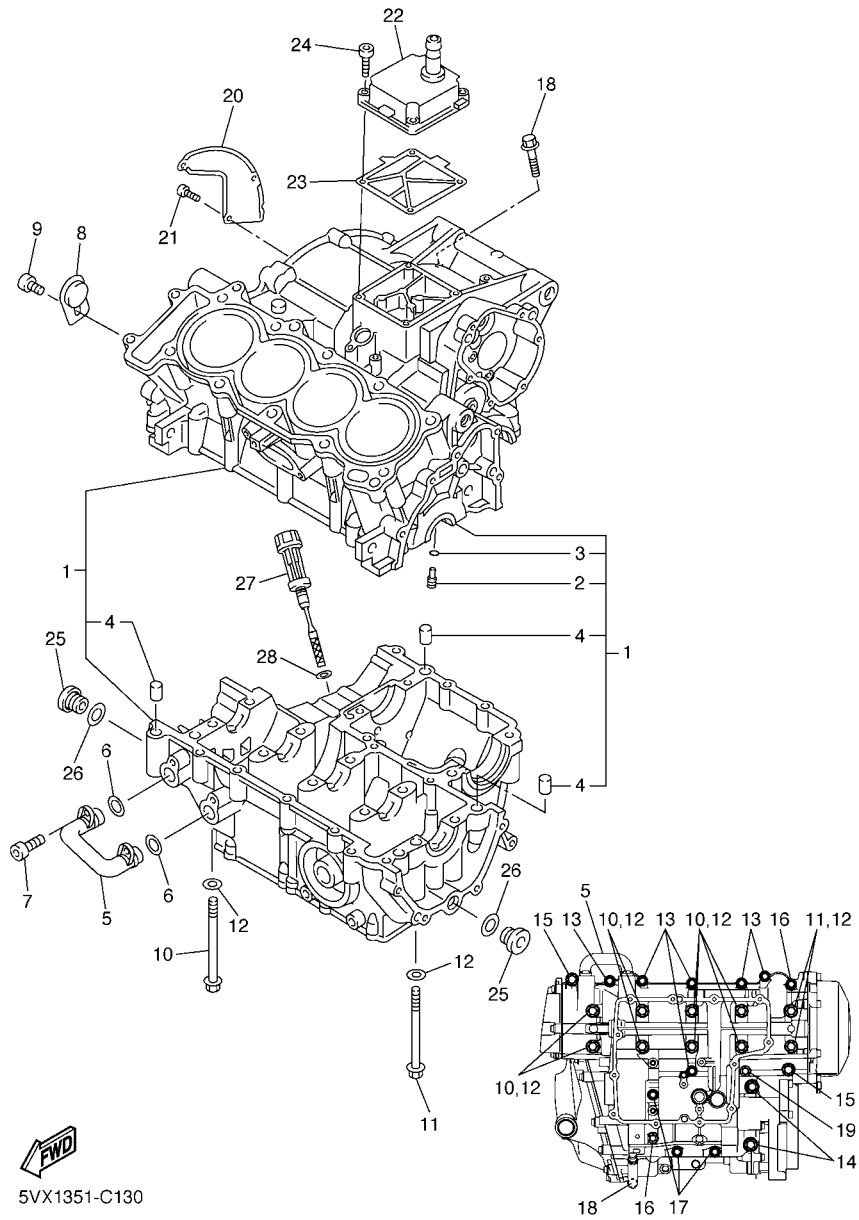
REF. NO.	PART NO.	DESCRIPTION	4S81				REMARKS
28	98902-06020	SCREW, BIND	2				
29	4FB-14766-00	WASHER, PROTECTOR	2				



5VX1351-C130

FIG. 13 CRANKCASE

REF. NO.	PART NO.	DESCRIPTION	4S81				REMARKS
1	1B3-15100-01	CRANKCASE ASSY	1				
2	5EB-15155-00	.NOZZLE 3	4				
3	93210-04092	.O-RING	4				
4	99530-10014	.PIN, DOWEL	3				
5	5VX-13418-00	PIPE, OIL 2	1				
6	93210-14579	O-RING	2				
7	90110-06161	BOLT, HEXAGON SOCKET HEAD	2				
8	5SL-15189-00	PLUG	1				
9	90149-06082	SCREW	1				
10	90105-087A0	BOLT, FLANGE	8				
11	90105-086A9	BOLT, FLANGE	2				
12	90201-087K3	WASHER, PLATE	10				
13	95812-06055	BOLT, FLANGE	6				
14	95812-08065	BOLT, FLANGE	2				
15	90109-06168	BOLT	2				
16	95812-06065	BOLT, FLANGE	2				
17	95812-06045	BOLT, FLANGE	3				
18	95812-06100	BOLT, FLANGE	1				
19	90105-06147	BOLT, FLANGE	1				
20	5SL-11165-00	PLATE, BREATHER	1				
21	90149-06082	SCREW	3				
22	5VX-15413-01	COVER	1				
23	5SL-15462-00	GASKET, CRANKCASE COVER 3	1				
24	91314-06025	BOLT	4				
25	36Y-15189-00	PLUG	2				
26	93210-16325	O-RING	2				
27	5EB-15362-00	PLUG, OIL LEVEL	1				

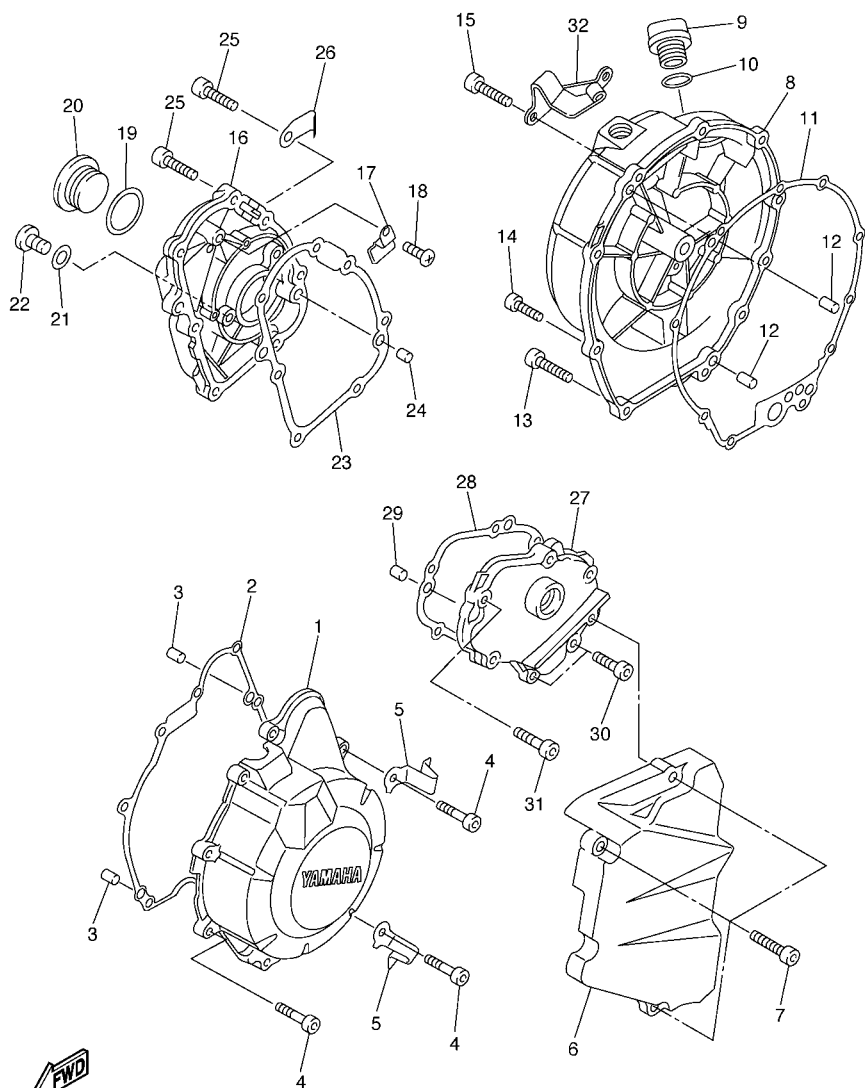


5VX1351-C130

FIG. 13 CRANKCASE

REF. NO.	PART NO.	DESCRIPTION	4S81				REMARKS
28	93210-09165	O-RING	1				

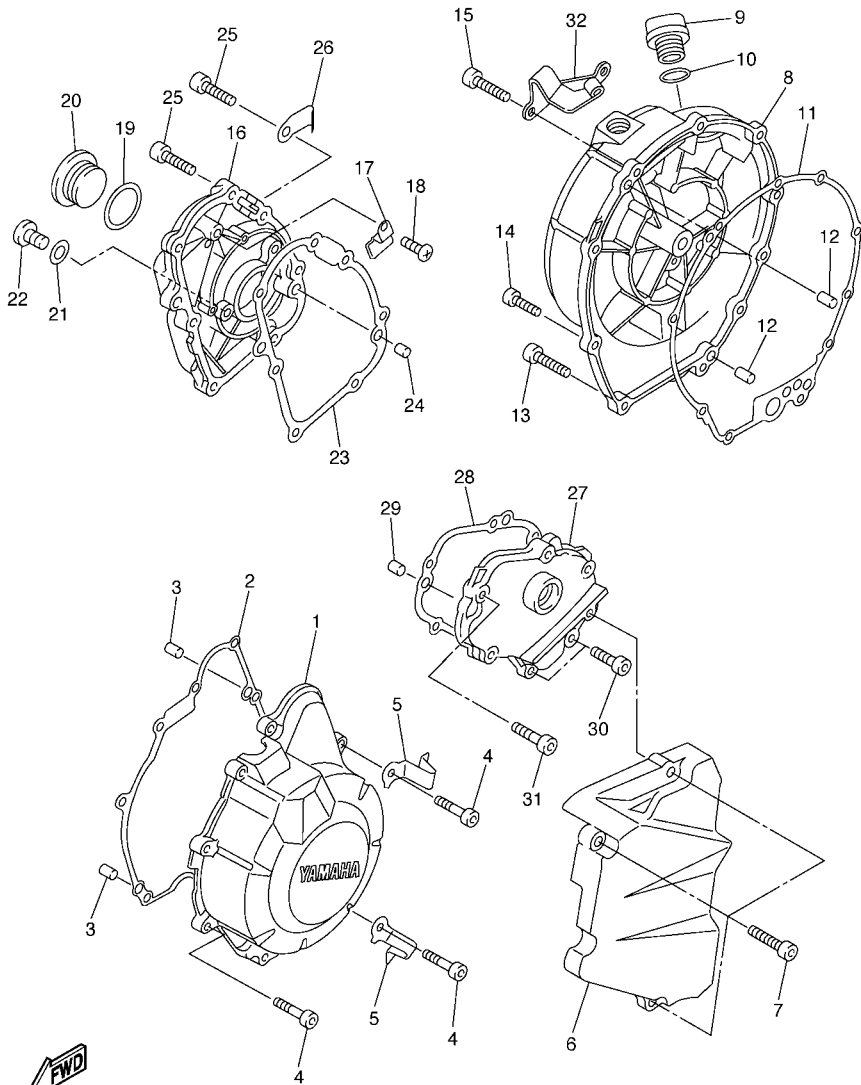
FIG. 14 CRANKCASE COVER 1



 5VXL300-F140

REF. NO.	PART NO.	DESCRIPTION	4S81				REMARKS
1	1B3-15411-00	COVER, CRANKCASE 1	1				
2	5VX-15451-01	GASKET, CRANKCASE COVER 1	1				
3	99530-08012	PIN, DOWEL	2				
4	91314-06025	BOLT	9				
5	90465-08045	CLAMP	2				
6	1B3-15418-00	COVER, CHAIN CASE	1				
7	91314-06025	BOLT	3				
8	1B3-15421-00	COVER, CRANKCASE 2	1				
9	3F9-15362-00	PLUG, OIL LEVEL	1				
10	93210-27194	O-RING	1				
11	5SL-15461-01	GASKET, CRANKCASE COVER 2	1				
12	93608-17263	PIN, DOWEL	2				
13	91314-06025	BOLT	7				
14	90110-06022	BOLT, HEXAGON SOCKET HEAD	1				
15	91314-06030	BOLT	2				
16	1B3-15416-00	COVER, OIL PUMP	1				
17	90465-14011	CLAMP	1				
18	98507-06012	SCREW, PAN HEAD	1				
19	93210-32172	O-RING	1				
20	90340-32004	PLUG, STRAIGHT SCREW	1				
21	90430-08143	GASKET	1				
22	92014-08014	BOLT, BUTTON HEAD	1				
23	5SL-15456-01	GASKET, OIL PUMP COVER 1	1				
24	99530-08012	PIN, DOWEL	2				
25	91314-06020	BOLT	7				
26	90465-10042	CLAMP	1				
27	1B3-15425-00	COVER, GENERATOR 2	1				

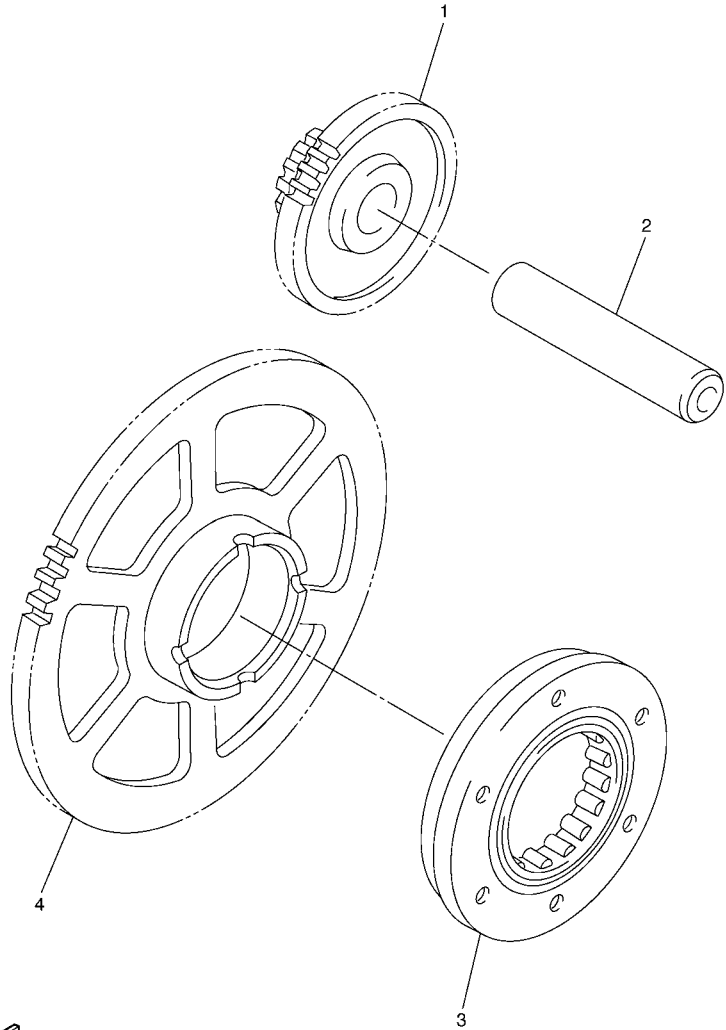
FIG. 14 CRANKCASE COVER 1



5VXL300-F140

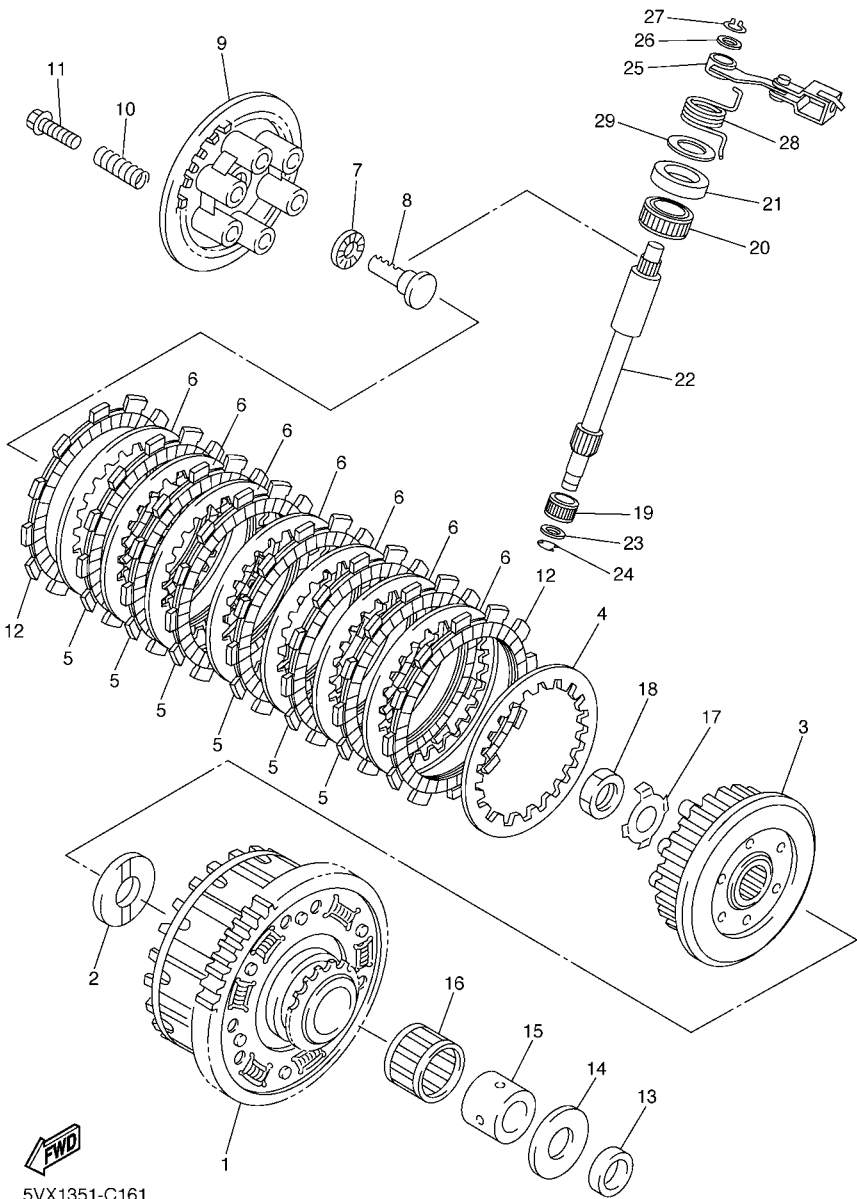
REF. NO.	PART NO.	DESCRIPTION	4S81				REMARKS
28	5VX-15463-01	GASKET, COVER PINION 2	1				
29	99530-08012	PIN, DOWEL	2				
30	91314-06020	BOLT	2				
31	91314-06025	BOLT	4				
32	5VX-15441-00	HOLDER, CLUTCH CABLE	1				

FIG. 15 STARTER



REF. NO.	PART NO.	DESCRIPTION	4S81					REMARKS
1	5SL-15512-00	GEAR, IDLER 1	1					
2	5EB-15521-00	SHAFT 1	1					
3	5SL-15590-00	STARTER ONE-WAY ASSY	1					
4	5MT-15515-00	GEAR 3	1					

FWD
5SL1300-B150



5VX1351-C161

FIG. 16 CLUTCH

REF. NO.	PART NO.	DESCRIPTION	4S81				REMARKS
1	5VX-16150-00	PRIMARY DRIVEN GEAR COMP.	1				
2	5EB-16154-00	PLATE, THRUST 1	1				
3	5VX-16371-00	BOSS, CLUTCH	1				
4	168-16324-00	PLATE, CLUTCH 1 (T=2.3)	1				
5	4FN-16321-00	PLATE, FRICTION	6				
6	3J2-16324-00	PLATE, CLUTCH 1 (T=2.0)	7				
7	93306-00304	BEARING	1				
8	5EB-16356-01	ROD, PUSH 1	1				
9	5EB-16351-01	PLATE, PRESSURE 1	1				
10	90501-225A9	SPRING, COMPRESSION	6				
11	90159-06002	SCREW, WITH WASHER	6				
12	4H7-16321-02	PLATE, FRICTION	2				
13	90201-255A6	WASHER, PLATE	1				
14	1AE-16164-00	PLATE, THRUST 2	1				
15	90387-25010	COLLAR	1				
16	93310-340N8	BEARING	1				
17	90215-20004	WASHER, LOCK	1				
18	90170-20008	NUT	1				
19	93317-11096	BEARING	1				
20	93315-31502	BEARING	1				
21	93102-15212	OIL SEAL	1				
22	5VX-16382-00	AXLE, PUSH LEVER	1				
23	92907-08600	WASHER, PLATE	1				
24	99001-07600	CIRCLIP	1				
25	5VX-16340-00	PUSH LEVER ASSY	1				
26	90201-10119	WASHER, PLATE	1				
27	99009-10400	CIRCLIP	1				

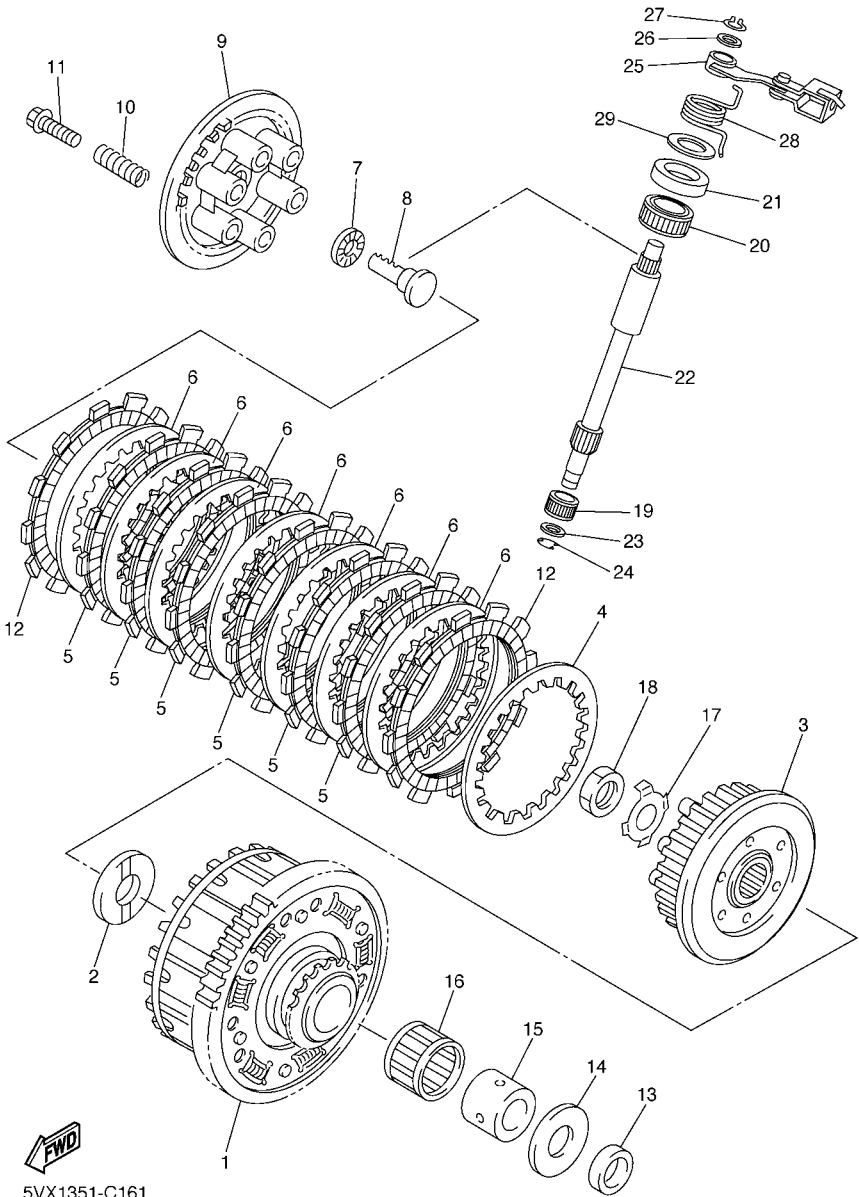
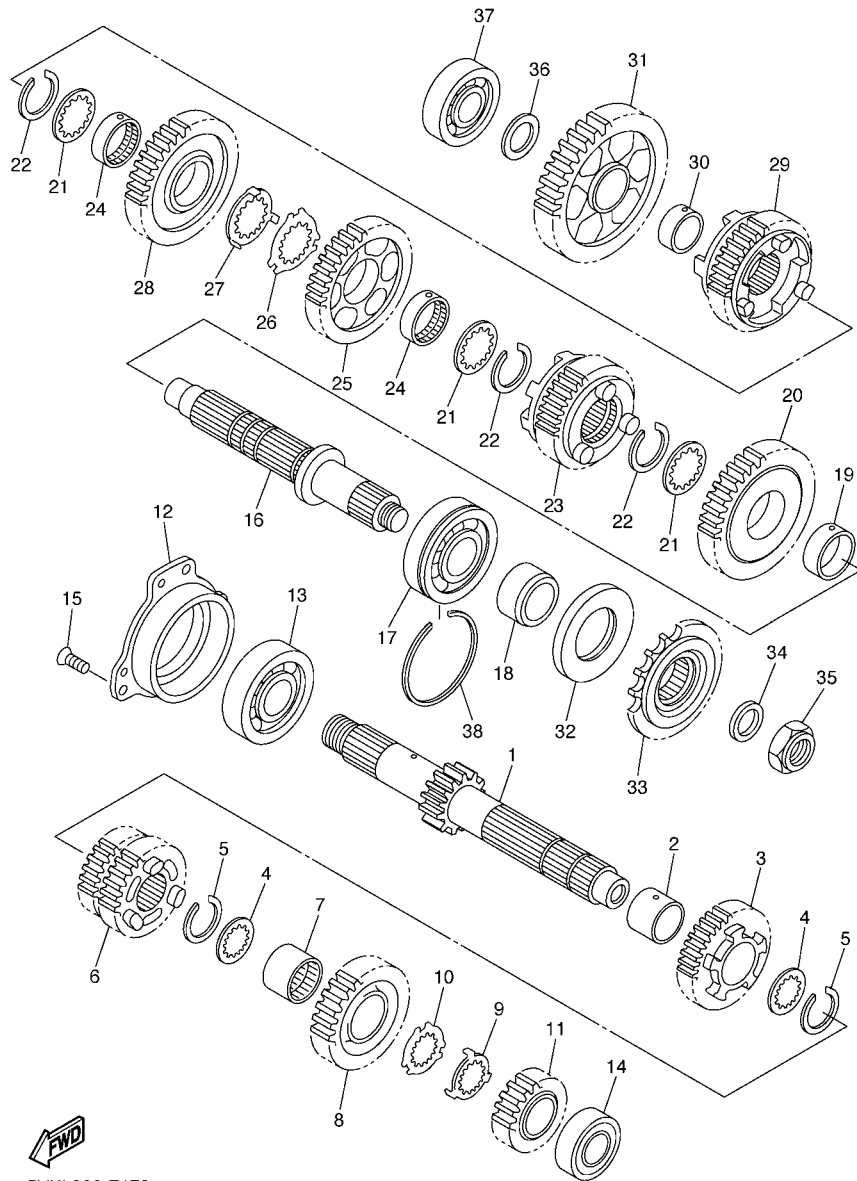


FIG. 16 CLUTCH

REF. NO.	PART NO.	DESCRIPTION	4S81					REMARKS
28	90508-18016	SPRING, TORSION	1					
29	90201-15013	WASHER, PLATE	1					

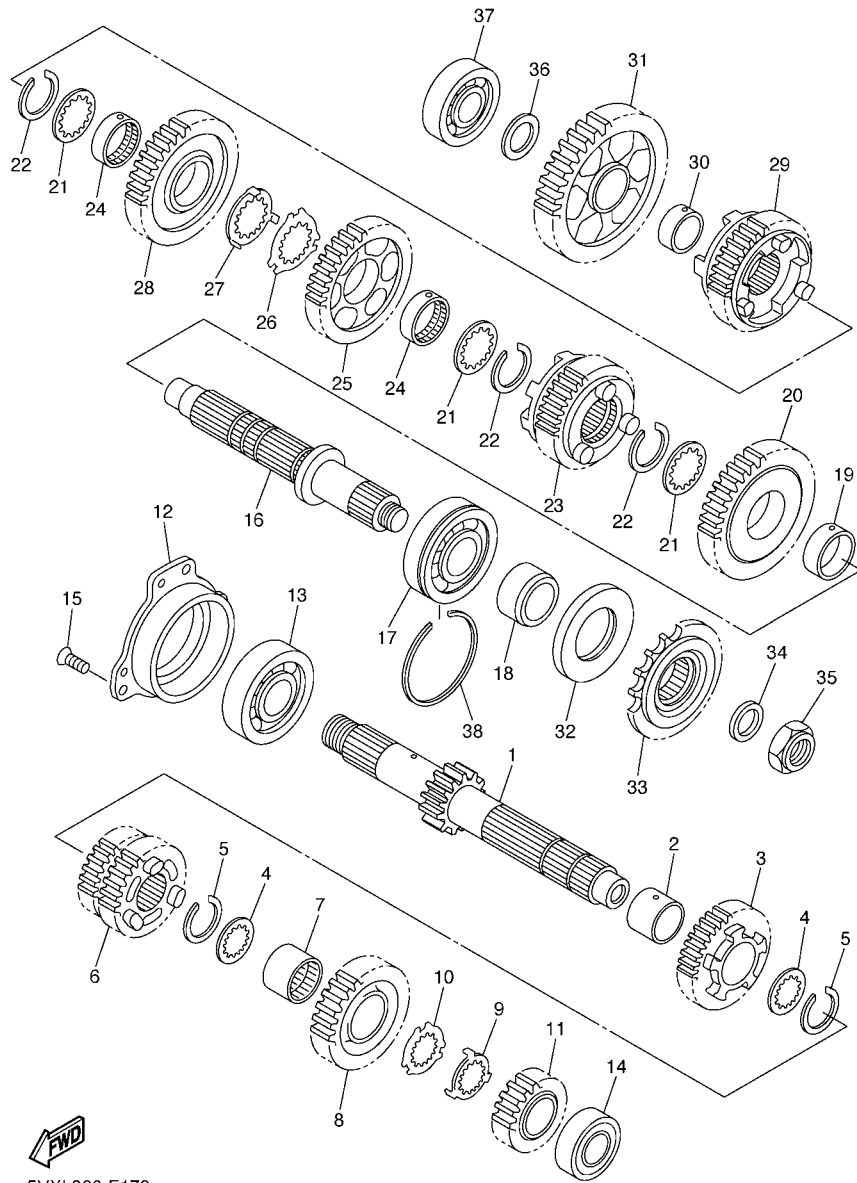
FWD
5VX1351-C161



5VXL300-F170

FIG. 17 TRANSMISSION

REF. NO.	PART NO.	DESCRIPTION	4S81				REMARKS
1	5SL-17411-00	AXLE, MAIN (13T)	1				
2	90387-253M6	COLLAR	1				
3	5VX-17151-00	GEAR, 5TH PINION (21T)	1				
4	90209-21332	WASHER	2				
5	93440-25186	CIRCLIP	2				
6	5SL-17131-20	GEAR, 3RD PINION (18T/24T)	1				
7	90387-2513E	COLLAR	1				
8	5SL-17161-00	GEAR, 6TH PINION (24T)	1				
9	90209-22352	WASHER	1				
10	90209-21351	WASHER	1				
11	5SL-17121-00	GEAR, 2ND PINION (19T)	1				
12	5EB-15163-01	HOUSING, BEARING 1	1				
13	93306-30525	BEARING	1				
14	93306-20464	BEARING	1				
15	90151-06008	SCREW, COUNTERSUNK	3				
16	4S8-17421-00	AXLE, DRIVE	1				
17	93306-30546	BEARING	1				
18	90387-2504A	COLLAR	1				
19	90387-2813C	COLLAR	1				
20	5VX-17221-00	GEAR, 2ND WHEEL (37T)	1				
21	90209-25342	WASHER	3				
22	93440-28062	CIRCLIP	3				
23	5VX-17261-00	GEAR, 6TH WHEEL (26T)	1				
24	90387-2813D	COLLAR	2				
25	5SL-17241-00	GEAR, 4TH WHEEL (32T)	1				
26	90209-25349	WASHER	1				
27	90209-25350	WASHER	1				



5VXL300-F170

FIG. 17 TRANSMISSION

REF. NO.	PART NO.	DESCRIPTION	4S81				REMARKS
28	5SL-17231-00	GEAR, 3RD WHEEL (28T)	1				
29	5VX-17251-00	GEAR, 5TH WHEEL (25T)	1				
30	90387-2202V	COLLAR	1				
31	5SL-17211-00	GEAR, 1ST WHEEL (37T)	1				
32	93102-35423	OIL SEAL	1				
33	5VX-17460-00	SPROCKET, DRIVE (16T)	1				
34	90201-20023	WASHER, PLATE	1				
35	90179-20011	NUT	1				
36	90201-20278	WASHER, PLATE	1				
37	93306-20464	BEARING	1				
38	278-17424-01	CIRCLIP 1	1				

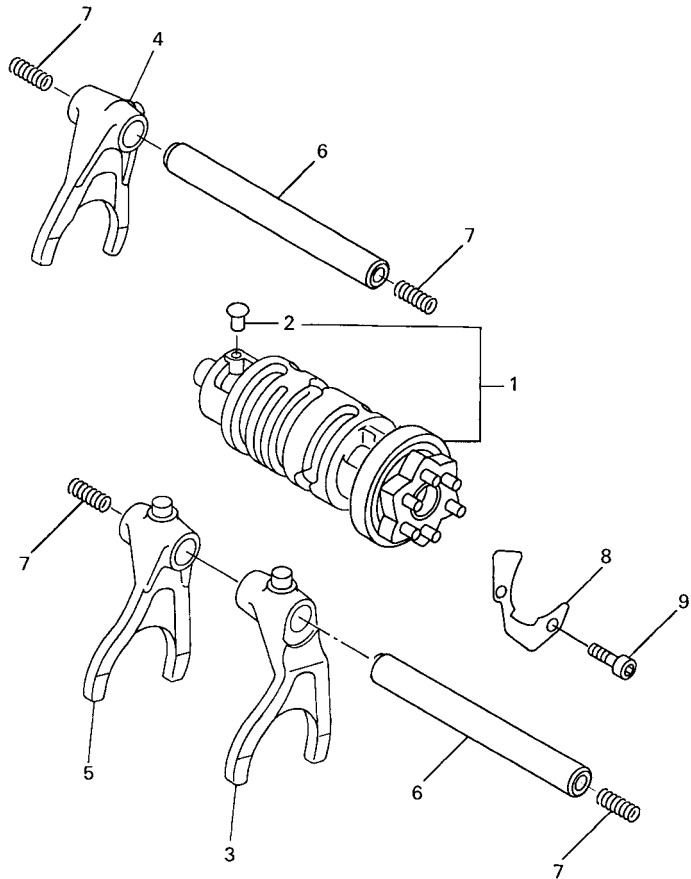


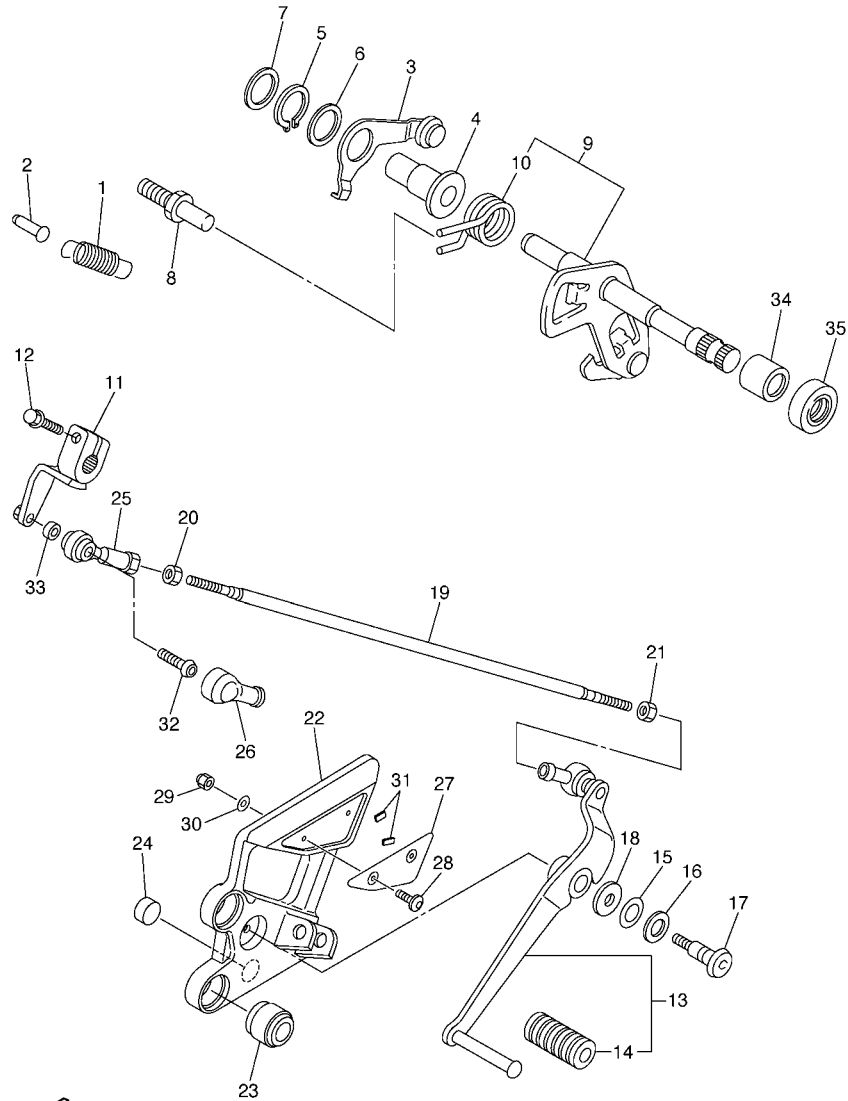
FIG. 18 SHIFT CAM & FORK

REF. NO.	PART NO.	DESCRIPTION	4S81				REMARKS
1	5VX-18540-00	SHIFT CAM ASSY	1				
2	136-18542-00	.POINT, NEUTRAL	1				
3	5SL-18511-00	FORK, SHIFT 1	1				
4	5MT-18512-00	FORK, SHIFT 2	1				
5	5EB-18513-00	FORK, SHIFT 3	1				
6	4XV-18531-00	BAR, SHIFT FORK GUIDE 1	2				
7	90501-064L1	SPRING, COMPRESSION	4				
8	5EB-18536-00	STOPPER, SHIFT BAR	1				
9	90110-06018	BOLT, HEXAGON SOCKET HEAD	2				



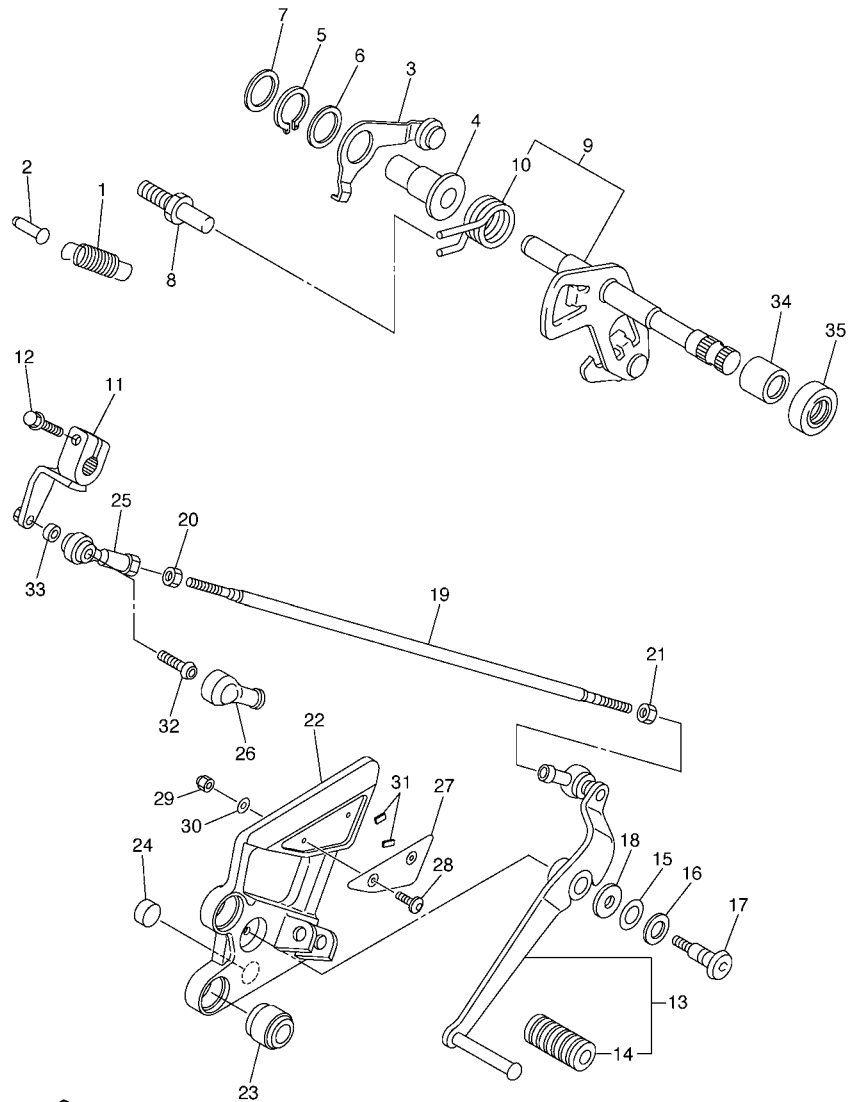
5EB3351-9170

FIG. 19 SHIFT SHAFT



5VXL300-F190

REF. NO.	PART NO.	DESCRIPTION	4S81				REMARKS
1	90506-14003	SPRING, TENSION	1				
2	132-16346-00	HOOK, SPRING	1				
3	5VX-18140-00	STOPPER LEVER ASSY	1				
4	90387-127V3	COLLAR	1				
5	99009-17400	CIRCLIP	1				
6	90201-177G4	WASHER, PLATE	1				
7	90201-154E8	WASHER, PLATE (T=1.0)	1				
8	5SL-18127-00	STOPPER, SCREW	1				
9	5VX-18101-11	SHIFT SHAFT ASSY	1				
10	90508-295B2	.SPRING, TORSION	1				
11	5VX-18112-01	ARM, SHIFT	1				
12	95824-06020	BOLT, FLANGE	1				
13	5VX-18110-00	SHIFT PEDAL ASSY	1				
14	5EB-18113-00	.COVER, SHIFT PEDAL	1				
15	90201-12013	WASHER, PLATE	1				
16	90206-12074	WASHER, WAVE	1				
17	4BP-27434-01	BOLT	1				
18	90201-08784	WASHER, PLATE	1				
19	5VX-18115-02	ROD, SHIFT	1				
20	90170-06228	NUT(COUNTER CLOCKWISE)	1				
21	95304-06700	NUT	1				
22	5VX-27442-10	BRACKET 2	1				
23	5VX-27424-00	DAMPER, FOOTREST 2	2				
24	5VX-27114-00	STOPPER, MAIN STAND	1				
25	5VX-18116-00	JOINT, ROD 1	1				
26	5VX-18154-00	COVER, DUST	1				
27	4S8-27445-00	PLATE 1	1				



5VXL300-F190

FIG. 19 SHIFT SHAFT

REF. NO.	PART NO.	DESCRIPTION	4S81				REMARKS
28	92014-05012	BOLT, BUTTON HEAD	2				
29	95607-05100	NUT, U	2				
30	92990-05200	WASHER, PLAIN	2				
31	4S8-27415-00	PLATE, FOOTREST	2				
32	90111-06019	BOLT, HEX. SOCKET BUTTON	1				
33	90387-06372	COLLAR	1				
34	93317-11295	BEARING	1				
35	93102-12106	OIL SEAL (SD 12-22-5 HS)	1				

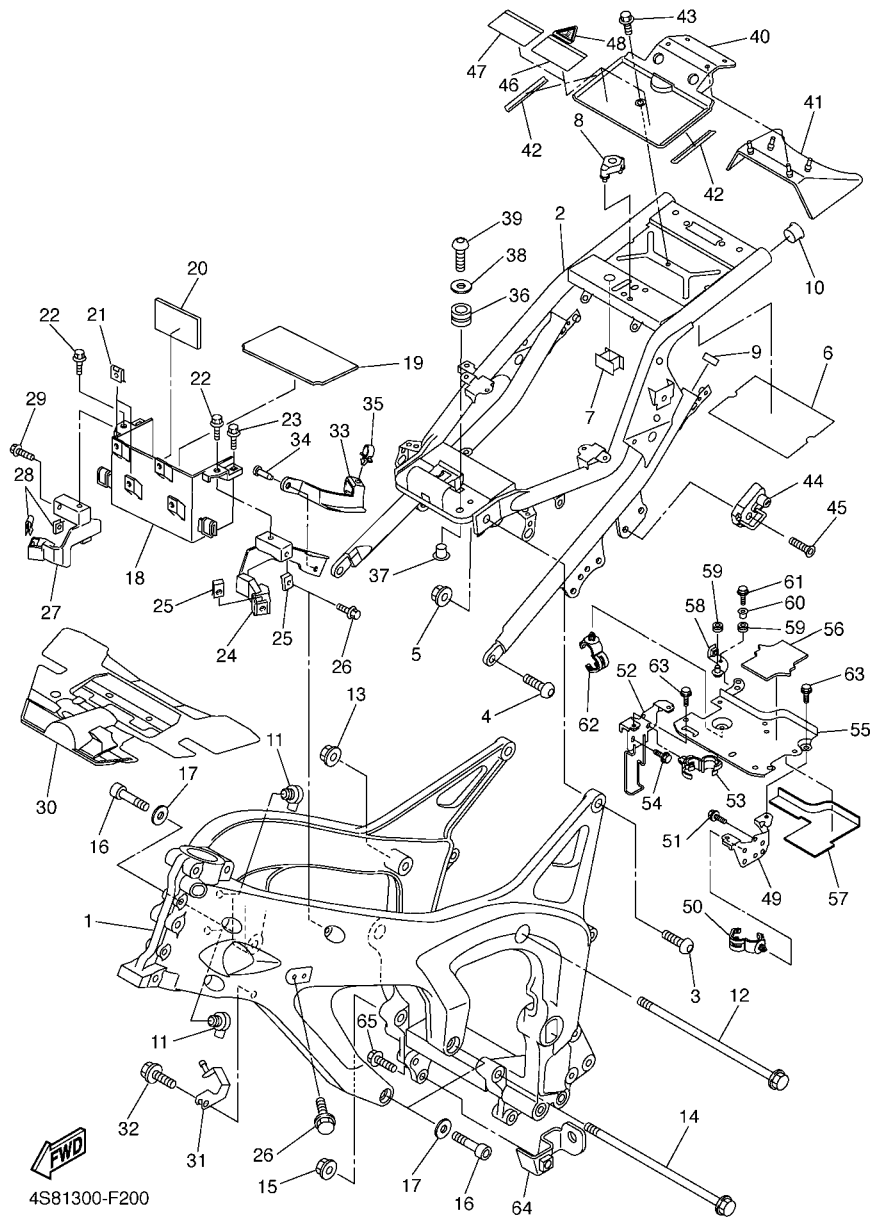
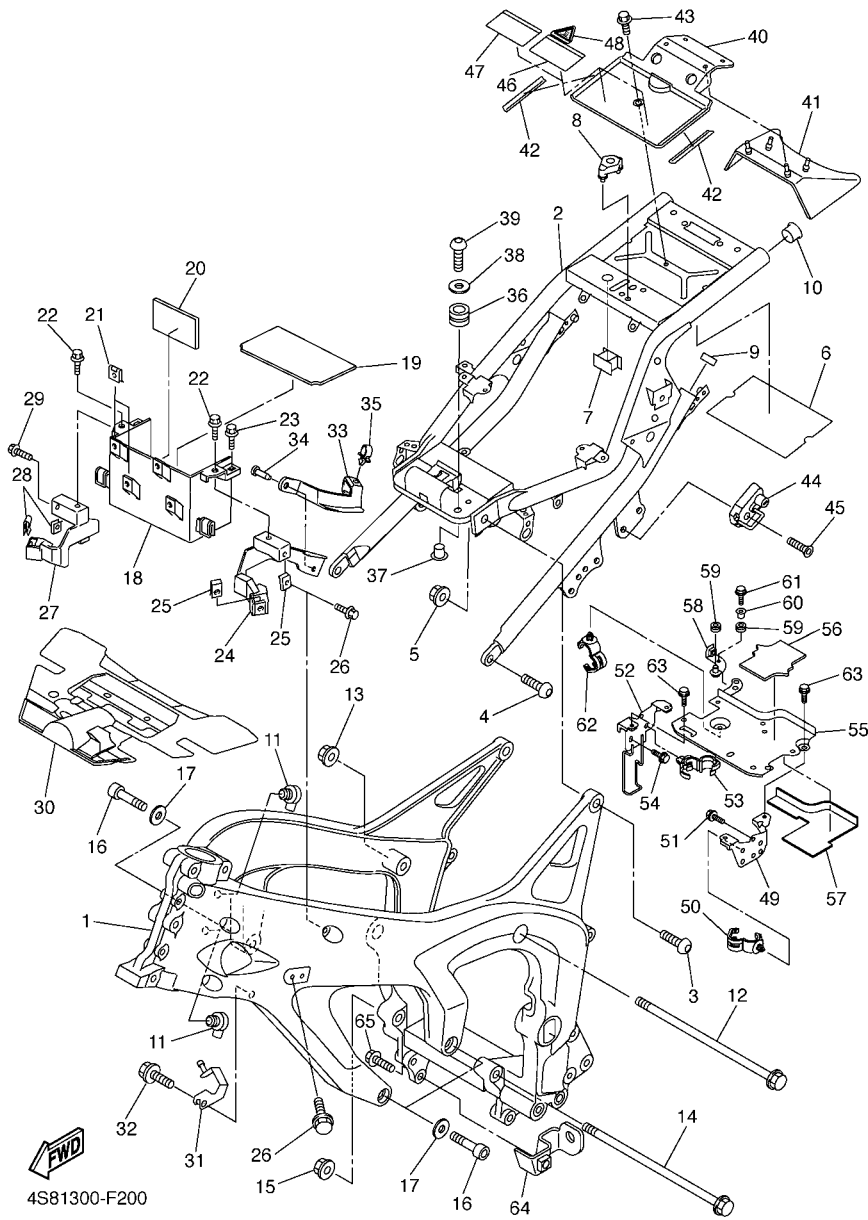


FIG. 20 FRAME

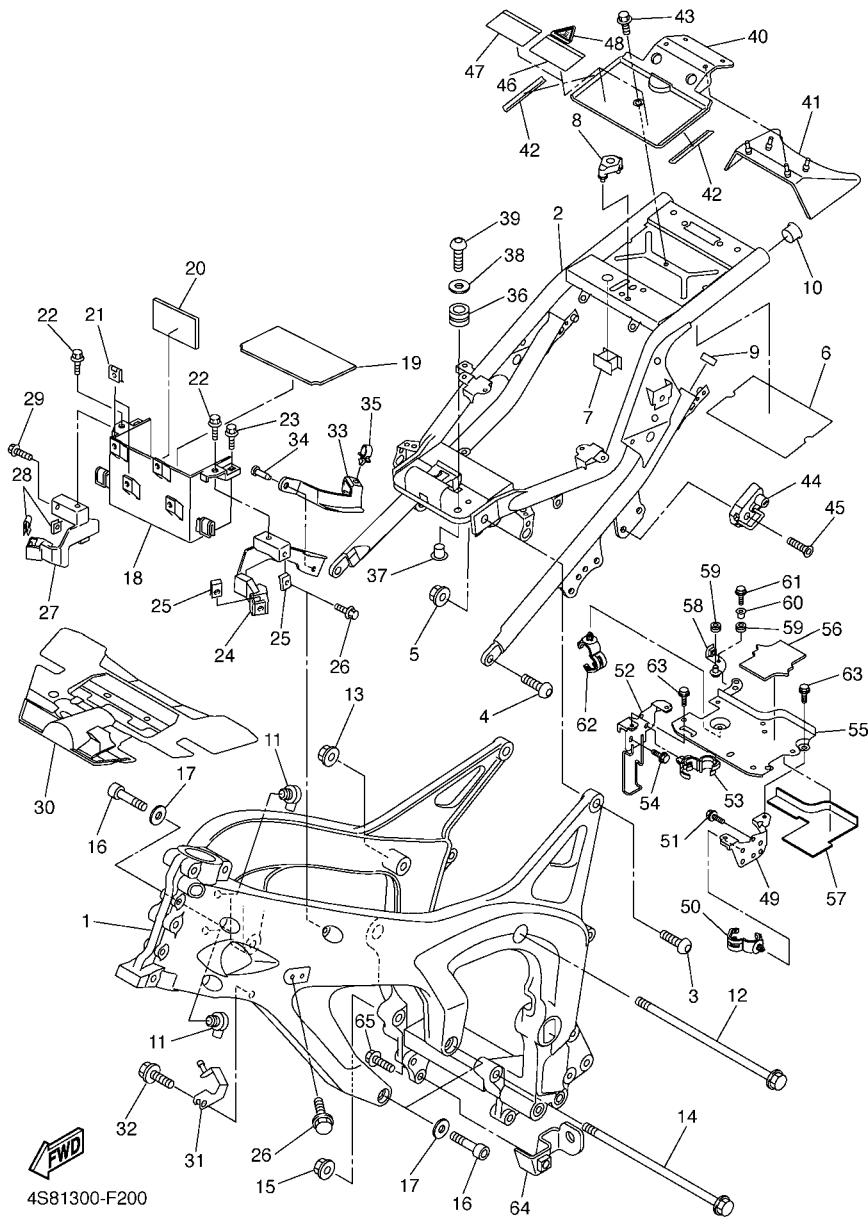
REF. NO.	PART NO.	DESCRIPTION	4S81				REMARKS
1	4S8-21110-09	FRAME COMP.	1				
2	4S8-21190-09	REAR FRAME COMP.	1				
3	90149-10006	SCREW	2				
4	90149-10012	SCREW	2				
5	95607-10200	NUT, U FLANGE	2				
6	5VX-21268-00	SEAL	1				
7	5VX-2139B-00	SEAL	1				
8	5VX-2140A-00	DAMPER, STOPPER	1				
9	3YJ-24481-00	PLUG	2				
10	90338-21145	PLUG	1				
11	5VX-21279-10	PLUG, BLIND	2				
12	90105-10032	BOLT, FLANGE	1				
13	90185-10002	NUT, SELF-LOCKING	1				
14	90105-10N53	BOLT, FLANGE	1				
15	90185-10002	NUT, SELF-LOCKING	1				
16	91314-10050	BOLT	3				
17	90201-10020	WASHER, PLATE	3				
18	5VX-2177G-00	BOX, BATTERY	1				
19	5VX-82122-00	SEAT, BATTERY	1				
20	5EJ-2414H-00	DAMPER, PLATE 1	1				
21	90183-06053	NUT, SPRING	2				
22	90109-06060	BOLT	2				
23	95807-06025	BOLT, FLANGE	2				
24	5VX-21238-00	BRACKET	1				
25	90183-060A1	NUT, SPRING	2				
26	90105-06557	BOLT, FLANGE	2				
27	5VX-21239-00	BRACKET 2	1				



4S81300-F200

FIG. 20 FRAME

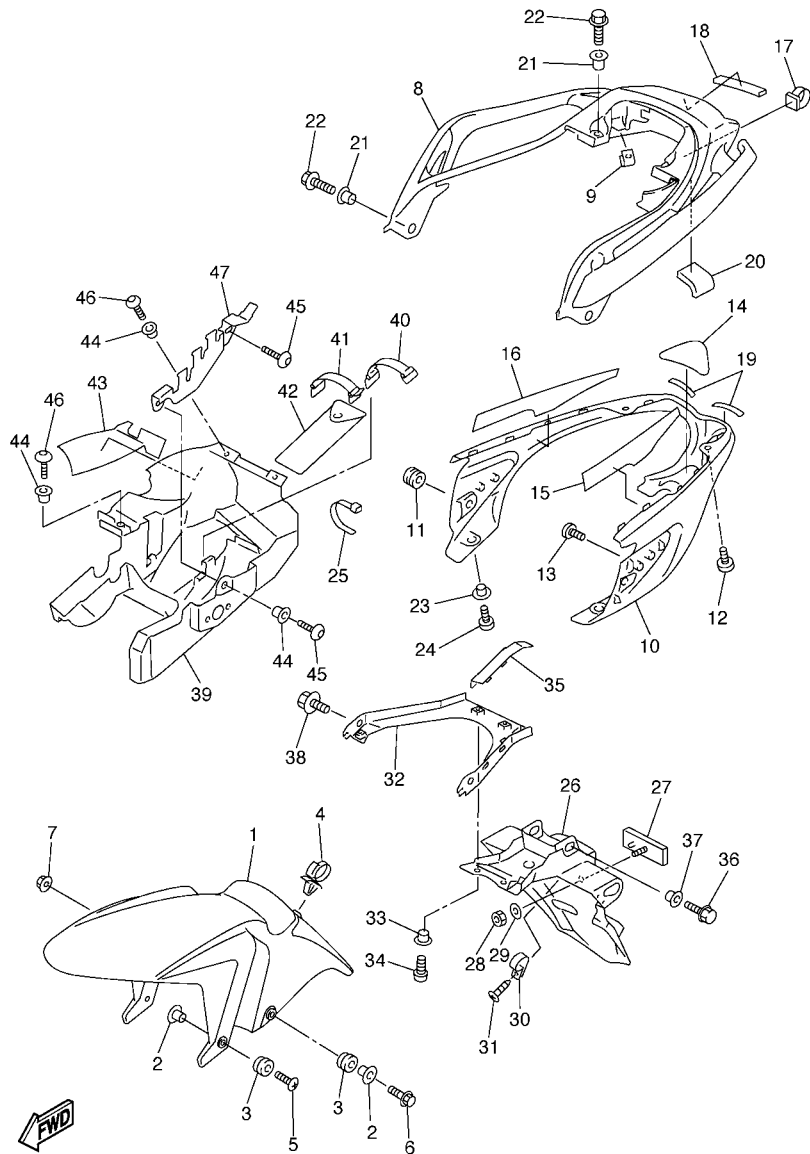
REF. NO.	PART NO.	DESCRIPTION	4S81				REMARKS
28	90183-060A1	NUT, SPRING	2				
29	90105-06557	BOLT, FLANGE	2				
30	5VX-2117M-01	COVER 2	1				
31	5VX-21249-00	BRACKET	1				
32	95027-06012	BOLT, FLANGE	1				
33	5VX-2135F-00	COVER	1				
34	90269-08066	RIVET	2				
35	90464-15157	CLAMP	1				
36	90480-12237	GROMMET	2				
37	90387-06078	COLLAR	2				
38	90201-06055	WASHER, PLATE	2				
39	92017-06020	BOLT, BUTTON HEAD	2				
40	5VX-2139W-00	COVER	1				
41	5VX-2139R-00	COVER 2	1				
42	5VX-21269-00	SEAL	2				
43	90109-067F4	BOLT	1				
44	4R8-21308-00	HELMET HANGER ASSY	1				
45	90151-06018	SCREW, COUNTERSUNK	1				
46	5VX-2117B-31	LABEL, WARNING	1				
47	5VX-2117B-41	LABEL, WARNING	1				
48	5VX-2117B-A1	LABEL, WARNING	1				
49	5VX-21843-00	STAY, 4	1				
50	90464-20181	CLAMP	1				
51	95827-06010	BOLT, FLANGE	2				
52	5VX-22836-00	STAY, 3	1				
53	90464-14001	CLAMP	1				
54	95827-06010	BOLT, FLANGE	2				



4S81300-F200

FIG. 20 FRAME

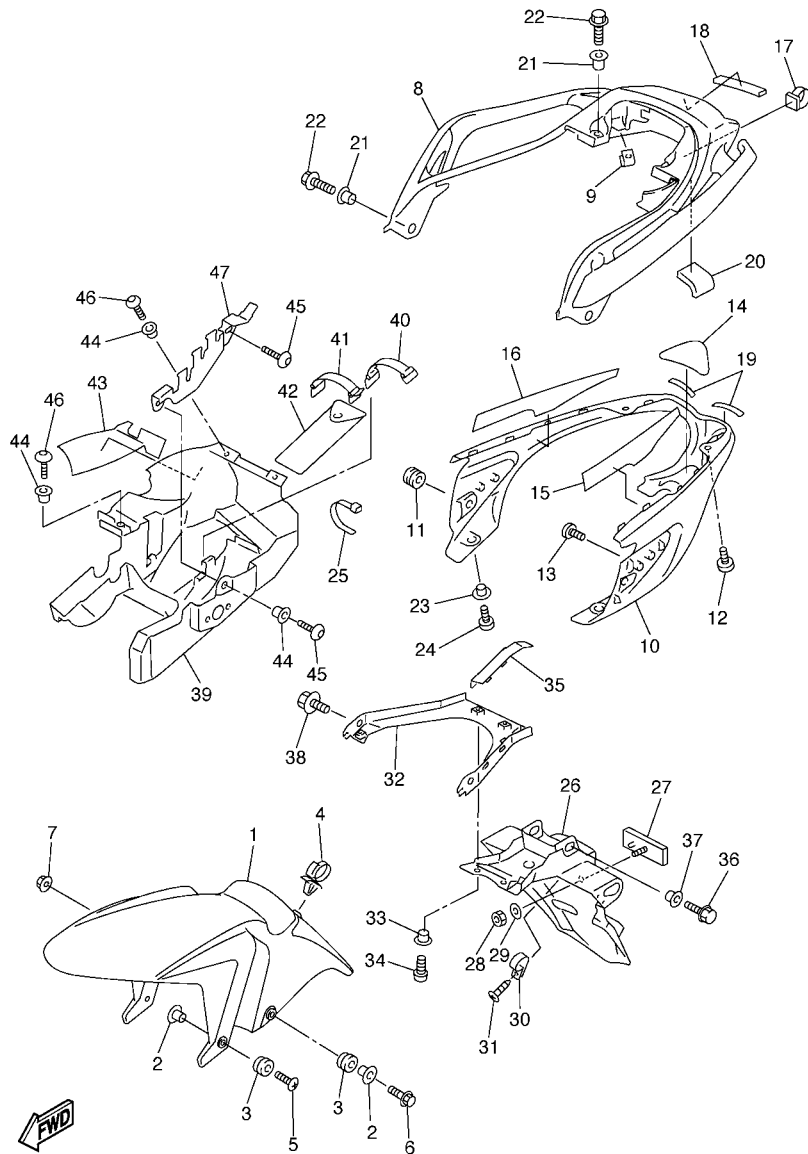
REF. NO.	PART NO.	DESCRIPTION	4S81				REMARKS
55	4S8-2175V-00	BRACKET 3	1				
56	5VX-21779-00	DAMPER, LOCATING 2	1				
57	5VX-2173M-00	SEAL 3	1				
58	4P5-21228-00	BRACKET, RESERVE TANK	1				
59	90480-13163	GROMMET	2				
60	90560-06201	SPACER	1				
61	95807-06016	BOLT, FLANGE	1				
62	90464-20181	CLAMP	1				
63	95827-06010	BOLT, FLANGE	4				
64	4S8-2119V-00	BRACKET	1				
65	95827-08025	BOLT, FLANGE	1				



4S81300-F210

FIG. 21 FENDER

REF. NO.	PART NO.	DESCRIPTION	4S81			REMARKS
1	4S8-21511-00-P0	FENDER, FRONT	1			UR FOR SMX
	4S8-21511-00-P1	FENDER, FRONT	1			UR FOR DRMK
	4S8-21511-00-P2	FENDER, FRONT	1			UR FOR DPBMC
2	90387-065J6	COLLAR	4			
3	90480-12072	GROMMET	4			
4	90464-18002	CLAMP	1			
5	90154-06061	SCREW, BINDING	2			
6	90109-06031	BOLT	2			
7	90179-06403	NUT	2			
8	5VX-24773-00-P6	HANDLE, SEAT	1			UR FOR SMX
	5VX-24773-00-P7	HANDLE, SEAT	1			UR FOR DRMK
	5VX-24773-00-P8	HANDLE, SEAT	1			UR FOR DPBMC
9	90183-05061	NUT, SPRING	2			
10	5VX-21651-00	COVER, REAR FENDER	1			
11	90480-13398	GROMMET	2			
12	98907-05012	SCREW, BIND	2			
13	97707-50012	SCREW, TRUSS HEAD TAPPING	2			
14	5VX-21669-00	SEAL	1			
15	5VX-21732-00	SEAL 1	1			
16	5VX-21735-01	SEAL 2	1			
17	90464-14002	CLAMP	1			
18	5VX-88158-00	DAMPER	1			
19	5VX-21639-00	DAMPER 2	2			
20	31A-28217-00	DAMPER 1	1			
21	90387-09003	COLLAR	4			
22	95827-08025	BOLT, FLANGE	4			
23	90387-064J1	COLLAR	2			



4S81300-F210

FIG. 21 FENDER

REF. NO.	PART NO.	DESCRIPTION	4S81				REMARKS
24	98907-06012	SCREW, BIND	2				
25	90465-13152	CLAMP	2				
26	5VX-21621-00	FLAP	1				
27	3Y6-85130-02	REAR REFLECTOR ASSY	1				
28	95607-05100	NUT, U	1				
29	90201-05725	WASHER, PLATE	1				
30	90464-18029	CLAMP	1				
31	97707-40012	SCREW, TAPPING	1				
32	5VX-2161G-00	BRACKET 6	1				
33	90387-064J1	COLLAR	2				
34	92017-06012	BOLT, BUTTON HEAD	2				
35	5VX-21665-00	GUIDE, MUD GUARD	1				
36	95827-06016	BOLT, FLANGE	2				
37	90387-06075	COLLAR	2				
38	95827-08012	BOLT, FLANGE	2				
39	5VX-21629-00	GUARD, MUD	1				
40	3TJ-82131-00	BAND, BATTERY	1				
41	122-82131-00	BAND, BATTERY	1				
42	5VX-28100-00	TOOL KIT	1				
43	5VX-2173N-01	SEAL 4	1				
44	90387-064J1	COLLAR	4				
45	92017-06016	BOLT, BUTTON HEAD	2				
46	92017-06012	BOLT, BUTTON HEAD	3				
47	5VX-2164F-00	STAY 1	1				



4S81300-F220

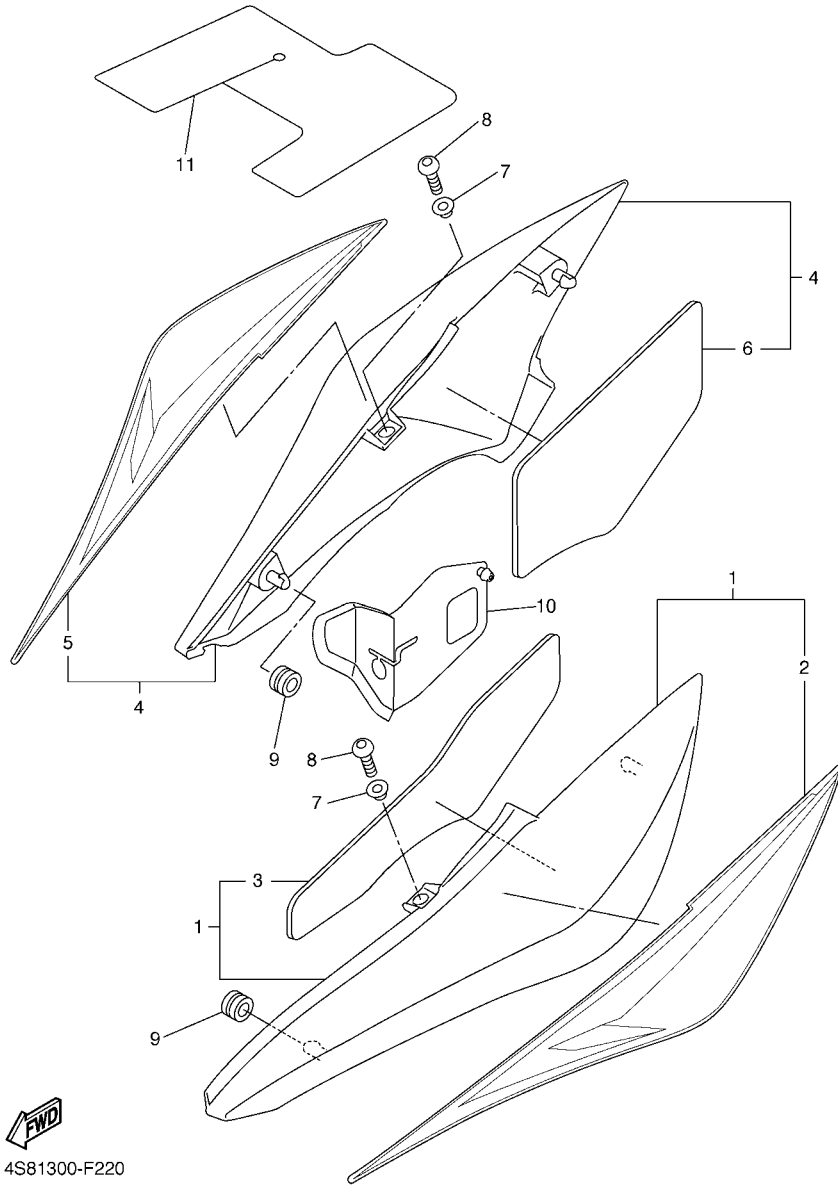
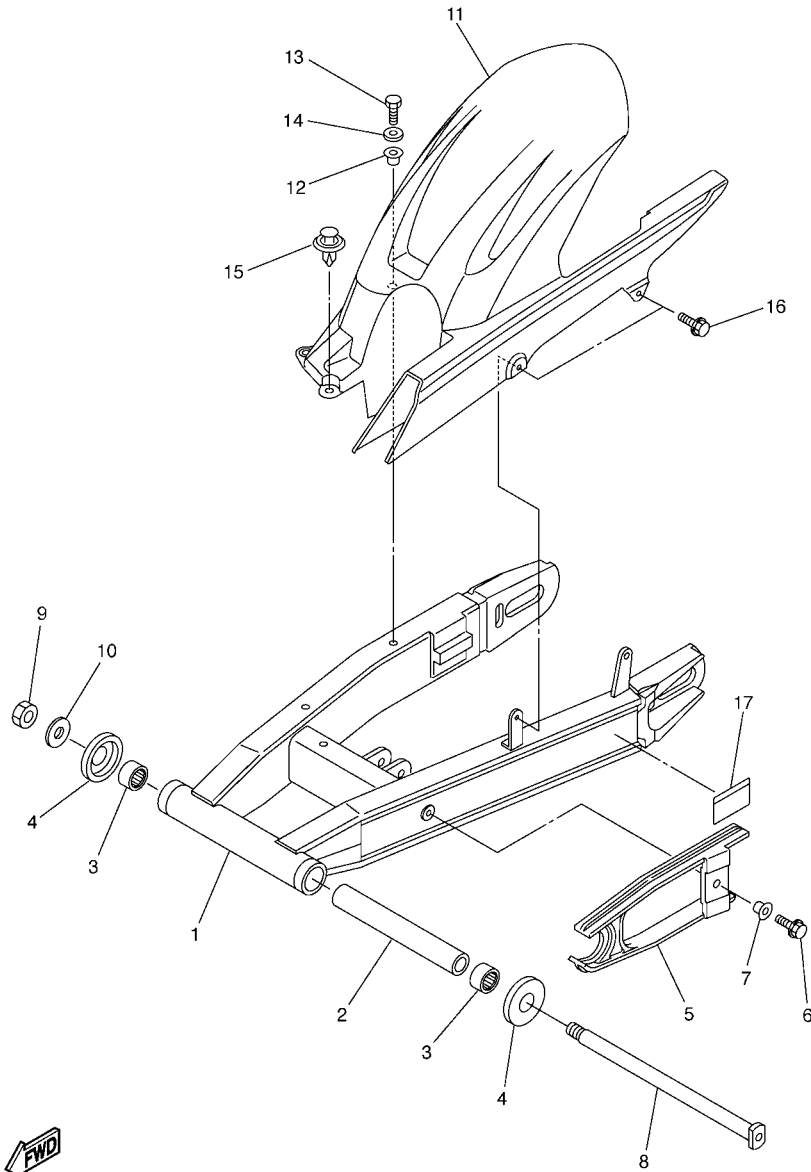


FIG. 22 SIDE COVER

REF. NO.	PART NO.	DESCRIPTION	4S81				REMARKS
1	5VX-Y2171-J0	COVER, SIDE 1	1				UR FOR SMX
	5VX-Y2171-K0	COVER, SIDE 1	1				UR FOR DRMK
	5VX-Y2171-L0	COVER, SIDE 1	1				UR FOR DPBMC
2	4S8-2173E-00	.GRAPHIC 1	1				UR FOR SMX
	4S8-2173E-10	.GRAPHIC 1	1				UR FOR DRMK
	4S8-2173E-20	.GRAPHIC 1	1				UR FOR DPBMC
3	5VX-2174X-00	.DAMPER	1				
4	5VX-Y2172-K0	COVER, SIDE 2	1				UR FOR SMX
	5VX-Y2172-L0	COVER, SIDE 2	1				UR FOR DRMK
	5VX-Y2172-M0	COVER, SIDE 2	1				UR FOR DPBMC
5	4S8-2173F-00	.GRAPHIC 2	1				UR FOR SMX
	4S8-2173F-10	.GRAPHIC 2	1				UR FOR DRMK
	4S8-2173F-20	.GRAPHIC 2	1				UR FOR DPBMC
6	5VX-2174Y-00	.DAMPER	1				
7	90387-064J1	COLLAR	2				
8	92017-06014	BOLT, BUTTON HEAD	2				
9	90480-01558	GROMMET	2				
10	5VX-2163A-00	COVER, REAR FENDER 1	1				
11	5VX-2177F-00	FLAP	1				

FIG. 23 REAR ARM



4S81300-F230

REF. NO.	PART NO.	DESCRIPTION	4S81				REMARKS
1	4S8-22110-00	REAR ARM COMP.	1				
2	5EB-22184-00	BUSH	1				
3	93315-42523	BEARING	2				
4	5JJ-22128-00	COVER, THRUST 1	2				
5	5VX-22151-00	SEAL, GUARD	1				
6	90119-06096	BOLT, WITH WASHER	1				
7	90387-06372	COLLAR	1				
8	4FN-22141-00	SHAFT, PIVOT	1				
9	90185-18167	NUT, SELF-LOCKING	1				
10	90201-18020	WASHER, PLATE	1				
11	5VX-21650-00	REAR FENDER COMP.	1				
12	90387-064J1	COLLAR	2				
13	97007-06025	BOLT	2				
14	92907-06600	WASHER, PLATE	2				
15	90269-08001	RIVET	1				
16	90119-06117	BOLT, WITH WASHER	2				
17	3XW-21668-A1	LABEL, TIRE	1				



5VX1351-C240

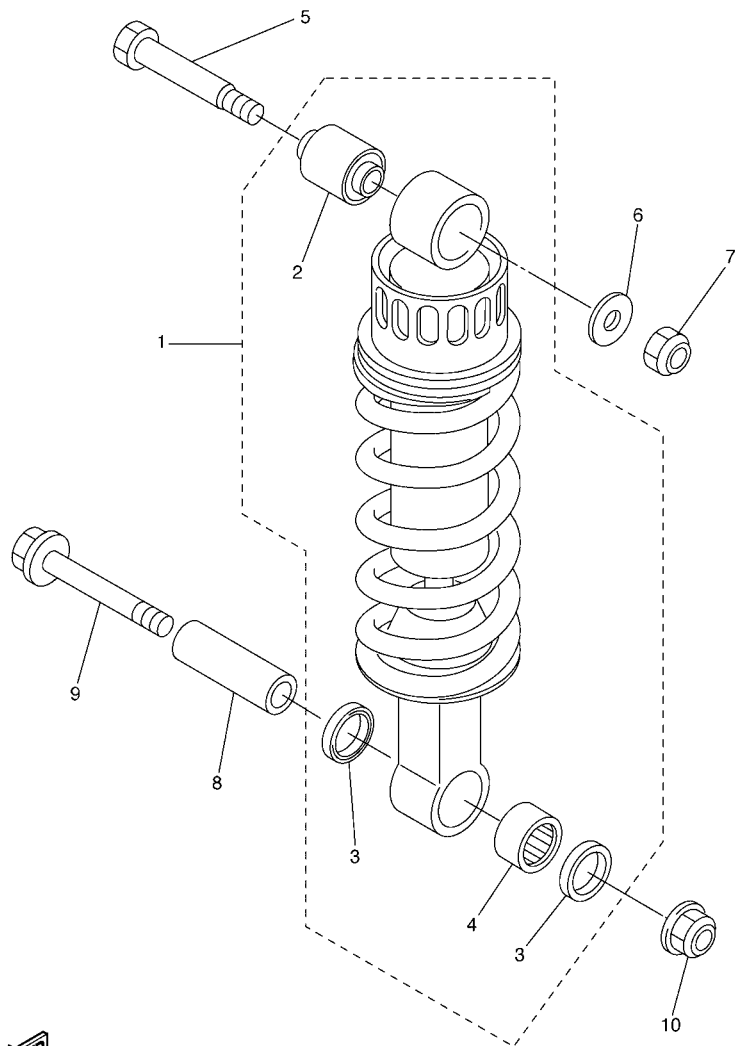
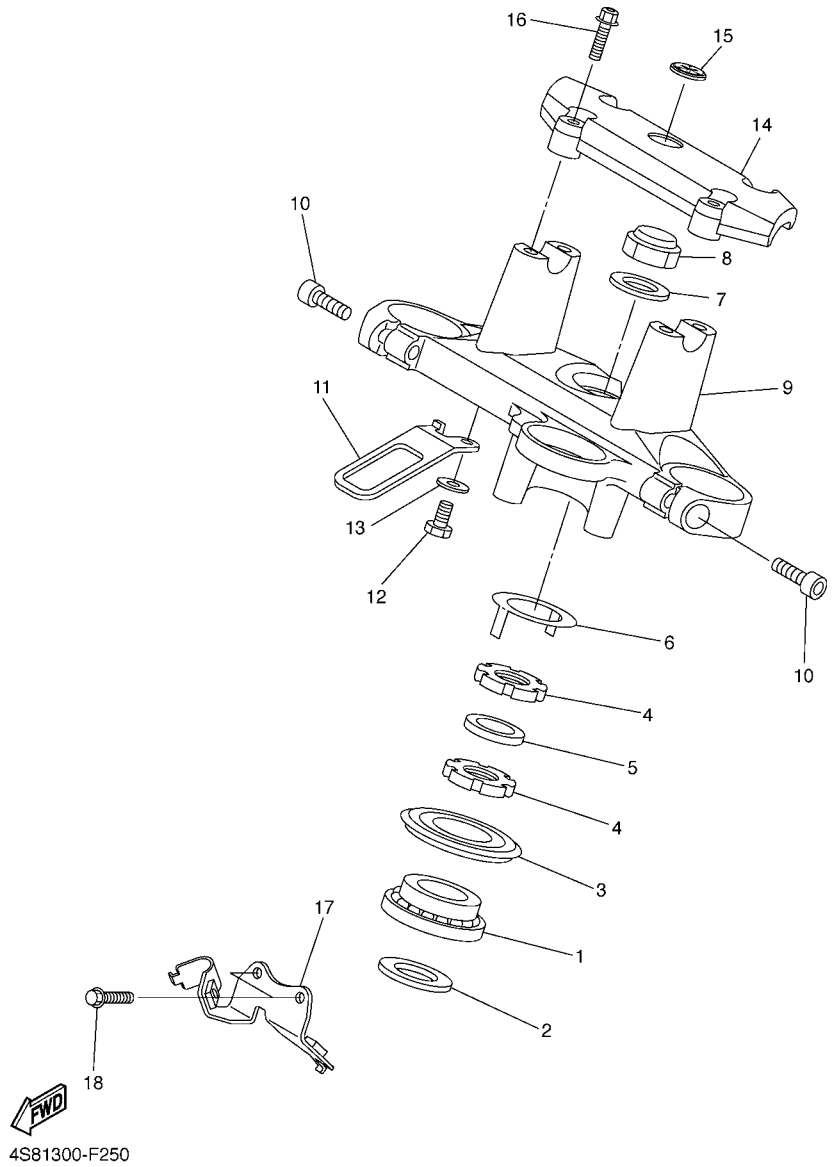


FIG. 24 REAR SUSPENSION

REF. NO.	PART NO.	DESCRIPTION	4S81				REMARKS
1	5VX-22210-00	SHOCK ABSORBER ASSY, REAR	1				
2	34L-22216-00	.BUSH, REAR SHOCK ABSORBER	1				
3	93109-17071	.OIL SEAL	2				
4	93315-31758	.BEARING	1				
5	90109-10654	BOLT	1				
6	90201-101J1	WASHER, PLATE	1				
7	95607-10100	NUT, U	1				
8	90387-1012B	COLLAR	1				
9	90105-10323	BOLT, FLANGE	1				
10	95607-10200	NUT, U FLANGE	1				

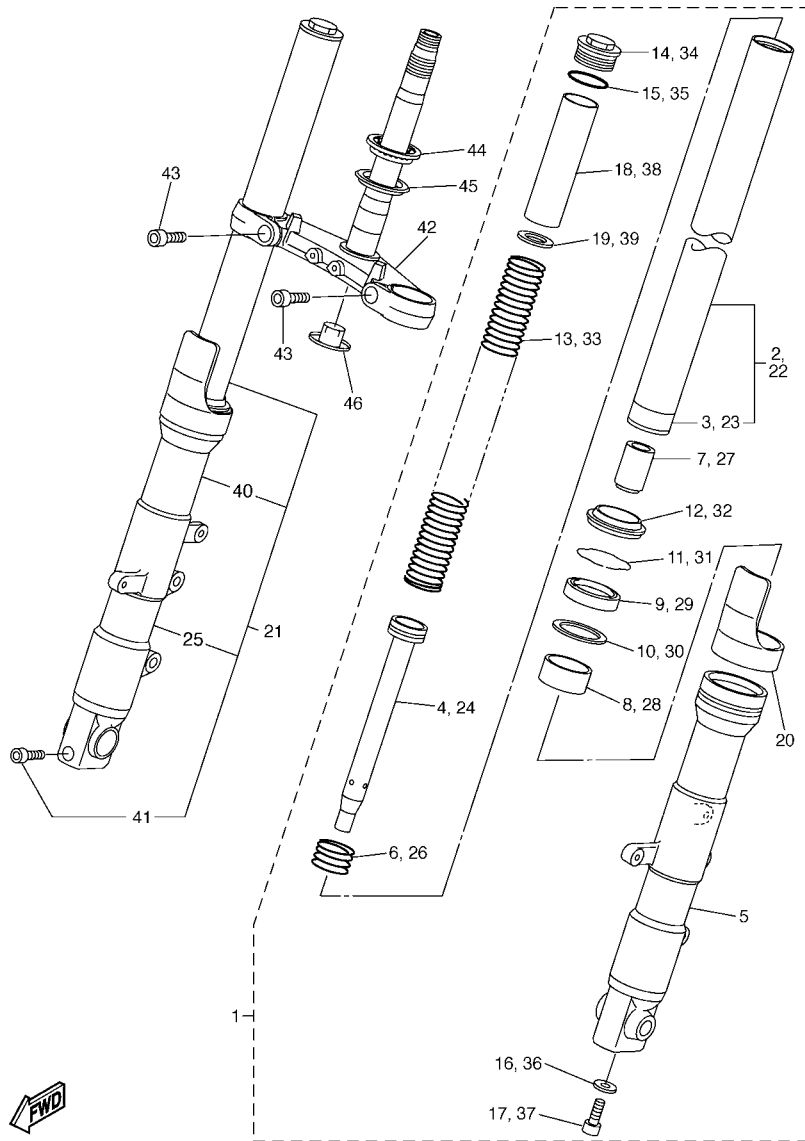
D9

FIG. 25 STEERING



REF. NO.	PART NO.	DESCRIPTION	4S81				REMARKS
1	93399-99931	BEARING	1				
2	90202-24190	WASHER, PLATE	1				
3	5VX-23415-00	COVER, BALL RACE 1	1				
4	90179-25033	NUT	2				
5	90202-26142	WASHER, PLATE	1				
6	26H-23418-01	WASHER, SPECIAL	1				
7	90201-220T0	WASHER, PLATE	1				
8	90176-22081	NUT, CROWN	1				
9	5VX-23435-20	CROWN, HANDLE	1				
10	91314-08030	BOLT	2				
11	5VX-23389-00	GUIDE, CABLE	1				
12	97007-06016	BOLT	1				
13	92907-06600	WASHER, PLATE	1				
14	4S8-23441-00	HOLDER, HANDLE UPPER	1				
15	4XV-2341B-00	EMBLEM	1				
16	95024-08035	BOLT, FLANGE	4				
17	4P5-23377-00	BRACKET, HORN	1				
18	95807-06012	BOLT, FLANGE	2				

FIG. 26 FRONT FORK



4S81300-F260

REF. NO.	PART NO.	DESCRIPTION	4S81				REMARKS
1	4S8-23102-00	FRONT FORK ASSY (L.H)	1				
2	4S8-23110-00	.INNER TUBE COMP.1	1				
3	4TX-23135-B0	..METAL, SLIDE 2	1				
4	5VX-23170-00	.CYLINDER COMP., FRONT FORK	1				
5	4S8-23126-00	.TUBE, OUTER (LEFT)	1				
6	4TX-23151-00	.SPRING, REBOUND	1				
7	4TX-23173-00	.SPINDLE, TAPER	1				
8	4TX-23125-B0	.METAL, SLIDE 1	1				
9	5VX-23145-00	.OIL SEAL	1				
10	4TX-23115-00	.GUIDE, COVER UPPER	1				
11	4TX-23156-00	.CLIP, OIL SEAL	1				
12	4TX-23144-00	.SEAL, DUST	1				
13	5VX-23141-00	.SPRING, FRONT FORK	1				
14	5VX-2311H-00	.FORK, BOLT	1				
15	93210-34504	.O-RING	1				
16	90430-10171	.GASKET	1				
17	90110-10N52	.BOLT, HEXAGON SOCKET HEAD	1				
18	5VX-23118-00	.SPACER	1				
19	4S8-23142-00	.SEAT, SPRING UPPER	1				
20	4TX-2331G-00	.COVER	1				
21	4S8-23103-00	FRONT FORK ASSY (R.H)	1				
22	4S8-23110-00	.INNER TUBE COMP.1	1				
23	4TX-23135-B0	..METAL, SLIDE 2	1				
24	5VX-23170-00	.CYLINDER COMP., FRONT FORK	1				
25	4S8-23136-00	.TUBE, OUTER (RIGHT)	1				
26	4TX-23151-00	.SPRING, REBOUND	1				
27	4TX-23173-00	.SPINDLE, TAPER	1				



4S81300-F260

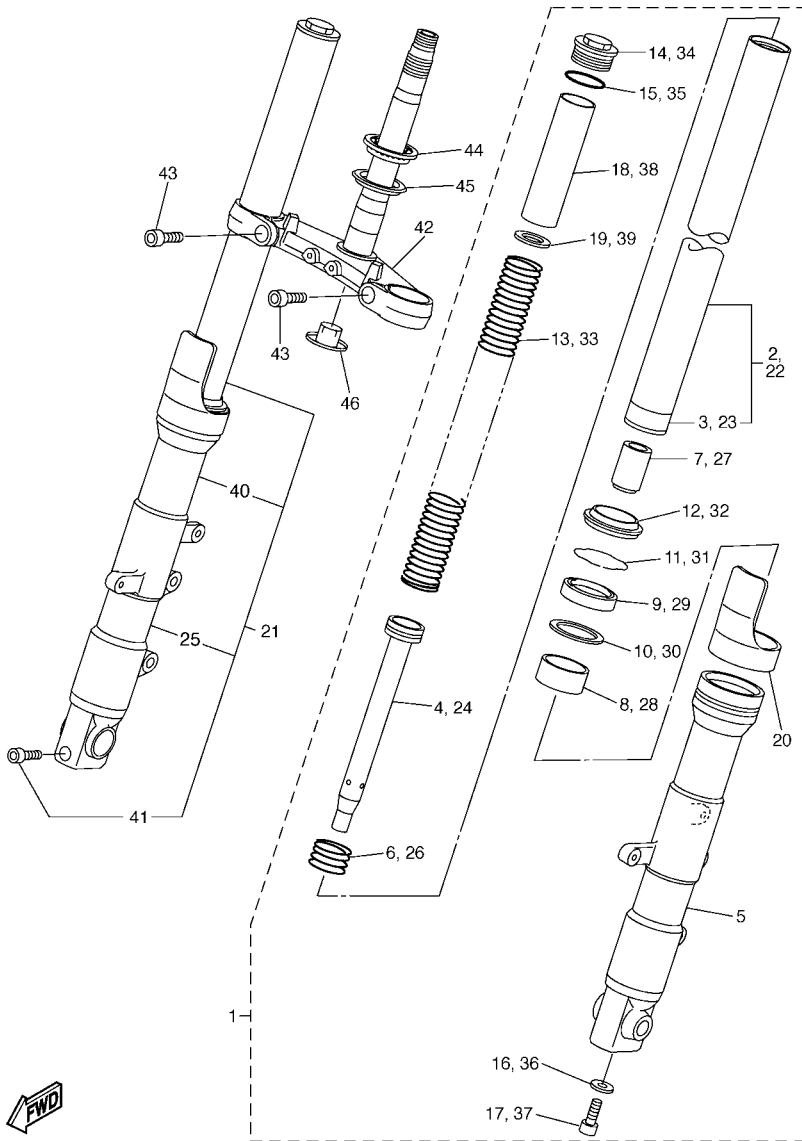
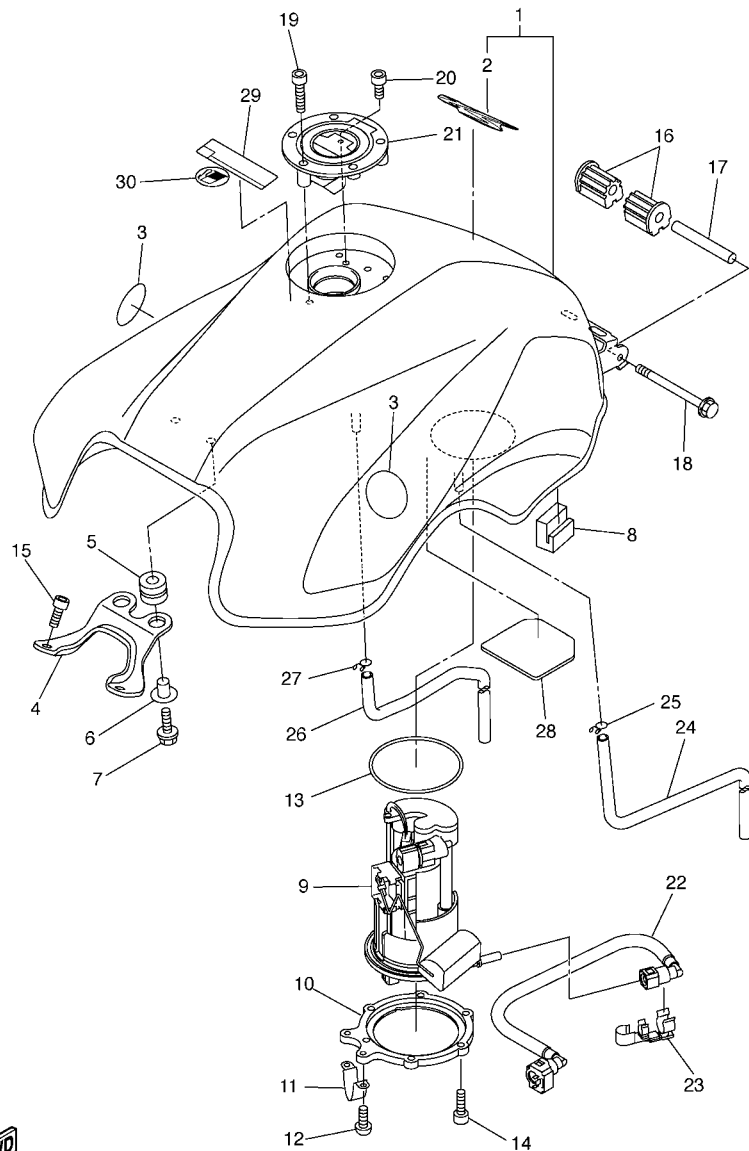


FIG. 26 FRONT FORK

REF. NO.	PART NO.	DESCRIPTION	4S81				REMARKS
28	4TX-23125-B0	.METAL, SLIDE 1	1				
29	5VX-23145-00	.OIL SEAL	1				
30	4TX-23115-00	.GUIDE, COVER UPPER	1				
31	4TX-23156-00	.CLIP, OIL SEAL	1				
32	4TX-23144-00	.SEAL, DUST	1				
33	5VX-23141-00	.SPRING, FRONT FORK	1				
34	5VX-2311H-00	.FORK, BOLT	1				
35	93210-34504	.O-RING	1				
36	90430-10171	.GASKET	1				
37	90110-10N52	.BOLT, HEXAGON SOCKET HEAD	1				
38	5VX-23118-00	.SPACER	1				
39	4S8-23142-00	.SEAT, SPRING UPPER	1				
40	4TX-2331G-00	.COVER	1				
41	91314-08045	.BOLT	1				
42	5VX-23340-00	UNDER BRACKET COMP.	1				
43	91312-10025	BOLT	2				
44	93399-99932	BEARING	1				
45	3FV-23462-00	SEAL, STEERING	1				
46	4KM-23123-01	COVER, LOWER 1	1				

D12

FIG. 27 FUEL TANK



4S81300-F270

REF. NO.	PART NO.	DESCRIPTION	4S81				REMARKS
1	5VX-Y2410-30-X3	FUEL TANK COMP.	1				UR FOR SMX
	5VX-Y2410-30-X4	FUEL TANK COMP.	1				UR FOR DRMK
	5VX-Y2410-30-X5	FUEL TANK COMP.	1				UR FOR DPBMC
2	4S8-24161-00	.EMBLEM 1	1				UR FOR SMX
	4S8-24161-10	.EMBLEM 1	1				UR FOR DRMK
	4S8-24161-20	.EMBLEM 1	1				UR FOR DPBMC
3	5SL-2413B-00	EMBLEM	2				
4	5VX-24191-00	BRACKET, FUEL TANK 1	1				
5	90480-15005	GROMMET	2				
6	90387-06068	COLLAR	2				
7	90119-06062	BOLT, WITH WASHER	2				
8	5VX-24183-00	DAMPER, LOCATING 3	2				
9	5VX-13907-01	FUEL PUMP COMP.	1				
10	5SL-24491-00	BRACKET, FUEL PUMP	1				
11	5PW-24192-00	BRACKET, FUEL TANK 2	1				
12	98907-05008	SCREW, BIND	2				
13	5JW-24486-00	O-RING	1				
14	90110-05014	BOLT, HEXAGON SOCKET HEAD	6				
15	90110-06079	BOLT, HEXAGON SOCKET HEAD	2				
16	5VX-24181-00	DAMPER, LOCATING 1	2				
17	90387-061W6	COLLAR	1				
18	95827-06090	BOLT, FLANGE	1				
19	90110-05112	BOLT, HEXAGON SOCKET HEAD	3				
20	91317-05010	BOLT	1				
21	5JJ-24602-00	CAP ASSY	1				
22	5VX-13971-00	PIPE, FUEL 1	1				
23	90464-16005	CLAMP	1				

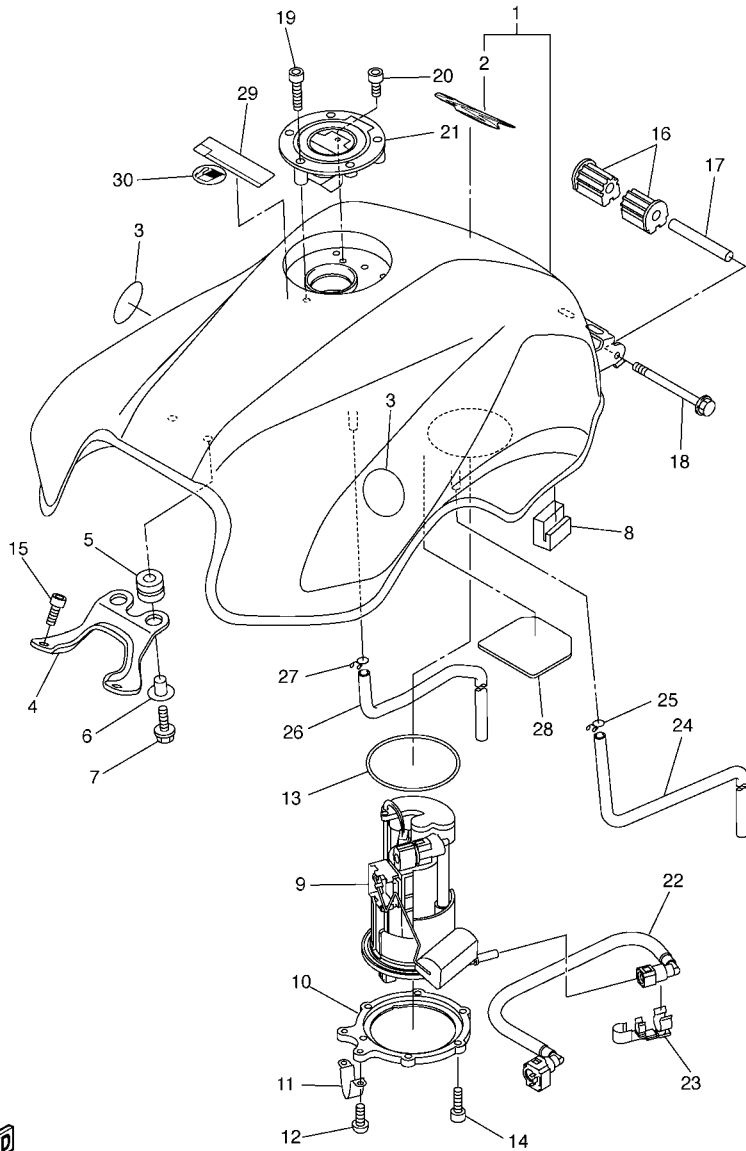


FIG. 27 FUEL TANK

REF. NO.	PART NO.	DESCRIPTION	4S81				REMARKS
24	90445-10033	HOSE	1				
25	90467-10008	CLIP	1				
26	90445-10032	HOSE	1				
27	90467-10008	CLIP	1				
28	5VX-24141-00	PROTECTOR, FUEL TANK	1				
29	5PA-21568-00	LABEL, WARNING	1				
30	3ME-2415E-01	LABEL, CAUTION	1				

FWD
4S81300-F270

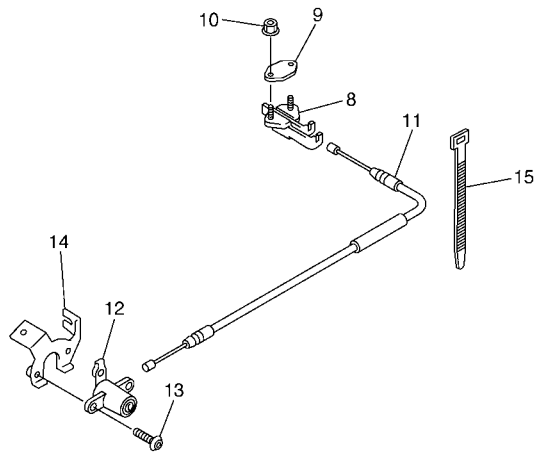
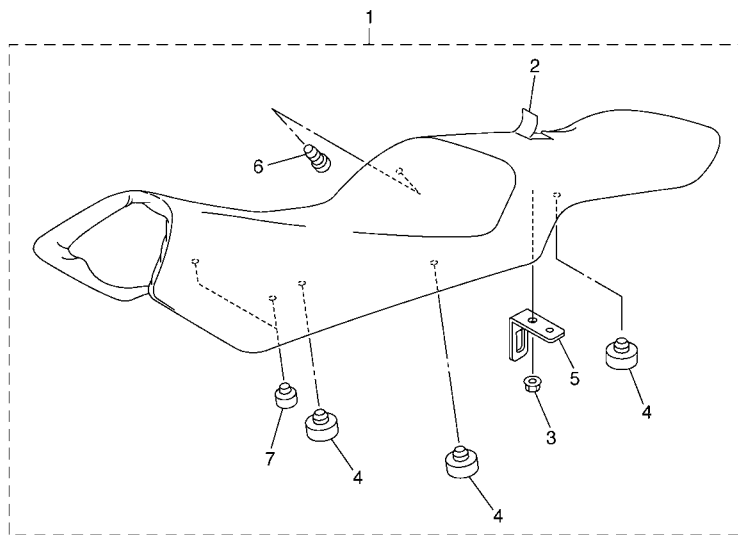


FIG. 28 SEAT

REF. NO.	PART NO.	DESCRIPTION	4S81				REMARKS
1	4S8-24730-10	DOUBLE SEAT ASSY	1				
2	4S8-2470F-10	.SEAT COVER COMP.	1				
3	95602-06200	.NUT, SELF-LOCKING	1				
4	371-27114-00	.STOPPER, MAIN STAND	6				
5	4NK-24728-00	.BRACKET, SEAT	1				
6	90338-06018	.PLUG	1				
7	5VX-24724-00	.DAMPER, SEAT	2				
8	4BP-24780-00	SEAT LOCK ASSY	1				
9	4BP-24792-00	PLATE	1				
10	95707-06500	NUT, FLANGE	2				
11	5VX-2478E-00	CABLE, SEAT LOCK	1				
12	2TV-W2470-00	SEAT LOCK ASSY	1				
13	90149-06308	SCREW	2				
14	5PW-2117K-00	STAY, LOCK	1				
15	90464-16061	CLAMP	1				



5VX1351-C280

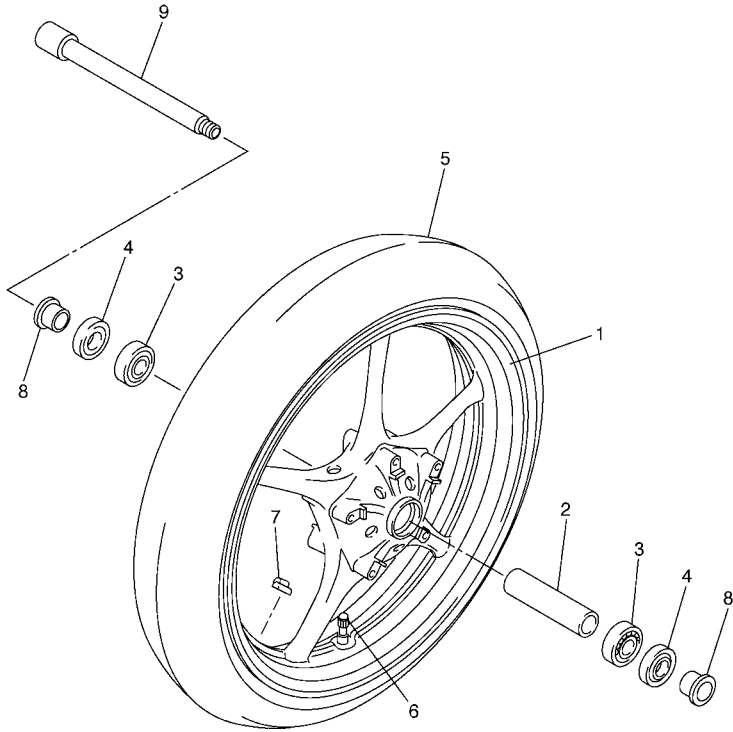
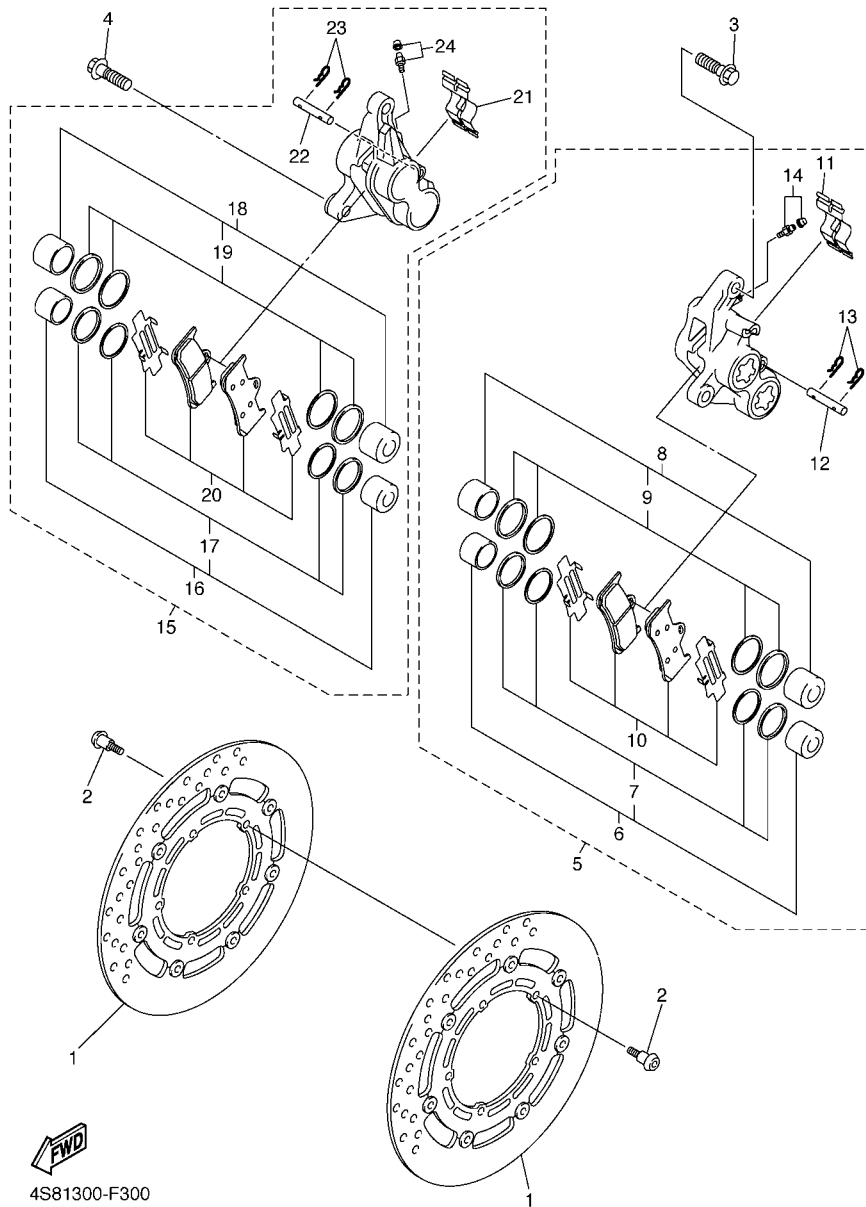


FIG. 29 FRONT WHEEL

REF. NO.	PART NO.	DESCRIPTION	4S81				REMARKS
1	5SL-25168-00-98	CAST WHEEL, FRONT	1				LGB
2	4XV-25117-00	SPACER, BEARING	1				
3	93306-00420	BEARING	2				
4	93106-28043	OIL SEAL	2				
5	94112-17066	TIRE(120/70ZR17M/C 58W BT020F)	1				UR BRIDGESTONE
	94112-17067	TIRE(120/70ZR17M/C 58W D252F)	1				UR DUNLOP
6	93900-00030	VALVE, RIM (TR412)	1				TAIHEIYO
7	5MT-25398-00	BALANCER, WHEEL (10G)	1				UR
	5MT-25398-10	BALANCER, WHEEL (20G)	1				UR
	5MT-25398-20	BALANCER, WHEEL (30G)	1				UR
8	90387-22002	COLLAR	2				
9	4XV-25181-10	AXLE, WHEEL	1				



5VX1351-C290



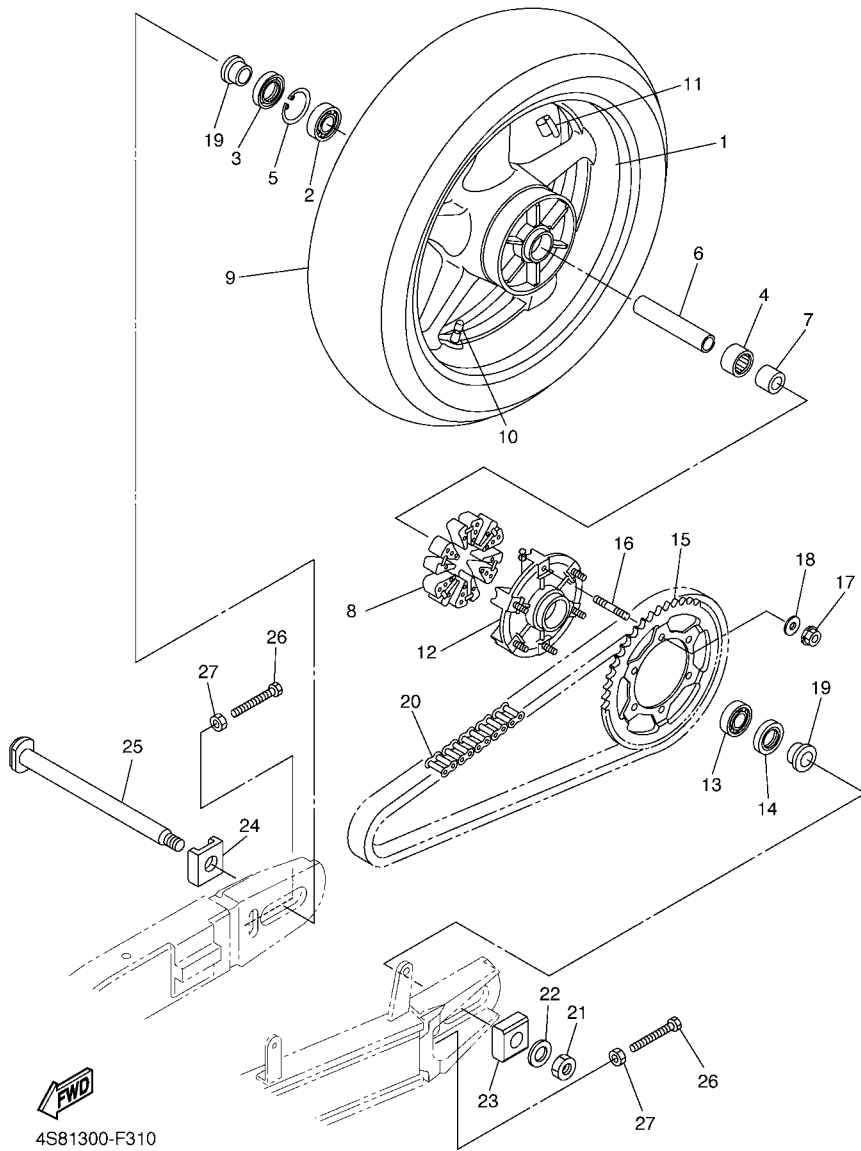
4S81300-F300

FIG. 30 FRONT BRAKE CALIPER

REF. NO.	PART NO.	DESCRIPTION	4S81				REMARKS
1	5VX-2581T-01	DISK BRAKE ASSY	2				
2	90109-064G6	BOLT	10				
3	90105-10638	BOLT, FLANGE	2				
4	90105-10638	BOLT, FLANGE	2				
5	4S8-2580T-00	CALIPER ASSY (LEFT)	1				
6	4SV-W0057-00	.PISTON ASSY, CALIPER	1				
7	3MA-W0047-10	..CALIPER SEAL KIT	1				
8	4SV-W0057-10	.PISTON ASSY, CALIPER	1				
9	3GM-W0047-10	..CALIPER SEAL KIT	1				
10	5VN-W0045-00	.BRAKE PAD KIT	1				
11	4SV-25919-00	.SUPPORT, PAD	1				
12	4SV-25924-00	.PIN, PAD	1				
13	3GM-25925-00	.CLIP	2				
14	1J3-W0048-00	.BLEED SCREW KIT	1				
15	4S8-2580U-00	CALIPER ASSY (RIGHT)	1				
16	4SV-W0057-00	.PISTON ASSY, CALIPER	1				
17	3MA-W0047-10	..CALIPER SEAL KIT	1				
18	4SV-W0057-10	.PISTON ASSY, CALIPER	1				
19	3GM-W0047-10	..CALIPER SEAL KIT	1				
20	5VN-W0045-00	.BRAKE PAD KIT	1				
21	4SV-25919-00	.SUPPORT, PAD	1				
22	4SV-25924-00	.PIN, PAD	1				
23	3GM-25925-00	.CLIP	2				
24	1J3-W0048-00	.BLEED SCREW KIT	1				

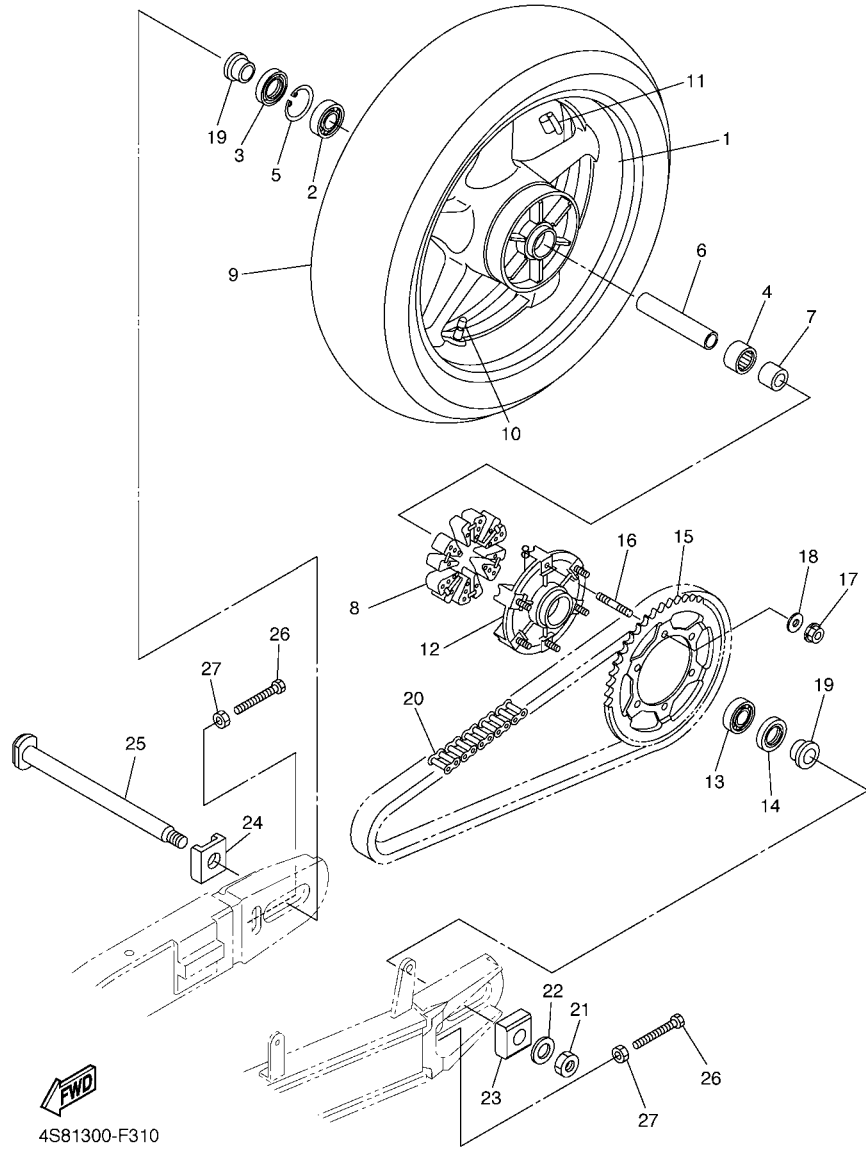
FIG. 31 REAR WHEEL

REF. NO.	PART NO.	DESCRIPTION	4S81				REMARKS
1	5SL-25338-00-98	CAST WHEEL, REAR	1				LGB
2	93306-20531	BEARING	1				
3	93106-40013	OIL SEAL	1				
4	93317-43580	BEARING	1				
5	93420-61M07	CIRCLIP	1				
6	4XV-25317-00	SPACER, BEARING	1				
7	5SL-25383-00	COLLAR, WHEEL	1				
8	5VX-25364-00	DAMPER	6				
9	94118-17041	TIRE(180/55ZR17M/C 73W BT020R)	1				UR BRIDGESTONE
	94118-17053	TIRE(180/55ZR17M/C 73W D252)	1				UR DUNLOP
10	93900-00030	VALVE, RIM (TR412)	1				TAIHEIYO
11	5MT-25398-00	BALANCER, WHEEL (10G)	1				UR
	5MT-25398-10	BALANCER, WHEEL (20G)	1				UR
	5MT-25398-20	BALANCER, WHEEL (30G)	1				UR
12	5SL-25366-00	CLUTCH, HUB	1				
13	93306-20531	BEARING	1				
14	93106-40013	OIL SEAL	1				
15	5VX-25446-00	SPROCKET, DRIVEN (46T)	1				
16	90116-10485	BOLT, STUD	6				
17	90185-10009	NUT, SELF-LOCKING	6				
18	90201-10021	WASHER, PLATE	6				
19	90387-28001	COLLAR	2				
20	94582-11118	CHAIN (DID50V4-118LE)	1				
21	90185-24007	NUT, SELF-LOCKING	1				
22	90201-25020	WASHER, PLATE	1				
23	5SL-25388-00	PULLER, CHAIN 1	1				
24	5SL-25389-00	PULLER, CHAIN 2	1				

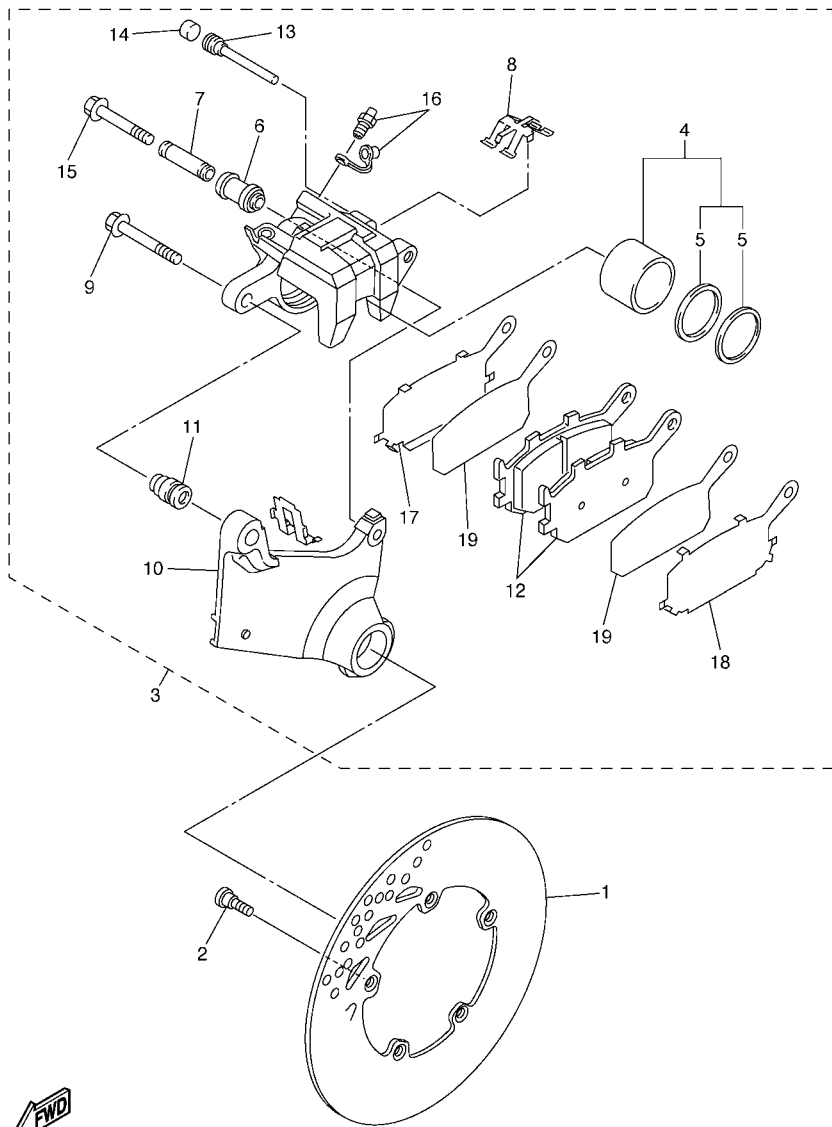


4S81300-F310

FIG. 31 REAR WHEEL



REF. NO.	PART NO.	DESCRIPTION	4S81					REMARKS
25	5SL-25381-10	AXLE, WHEEL	1					
26	90101-08013	BOLT	2					
27	95302-08600	NUT	2					

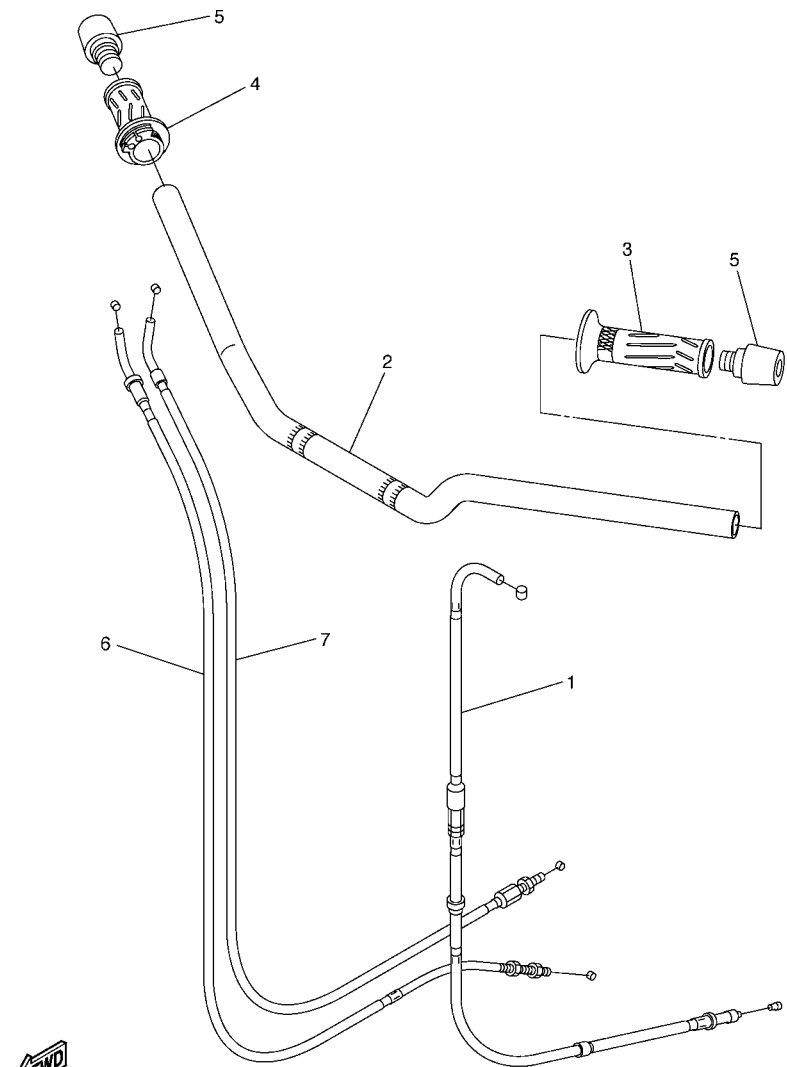


2D11300-E330

FIG. 32 REAR BRAKE CALIPER

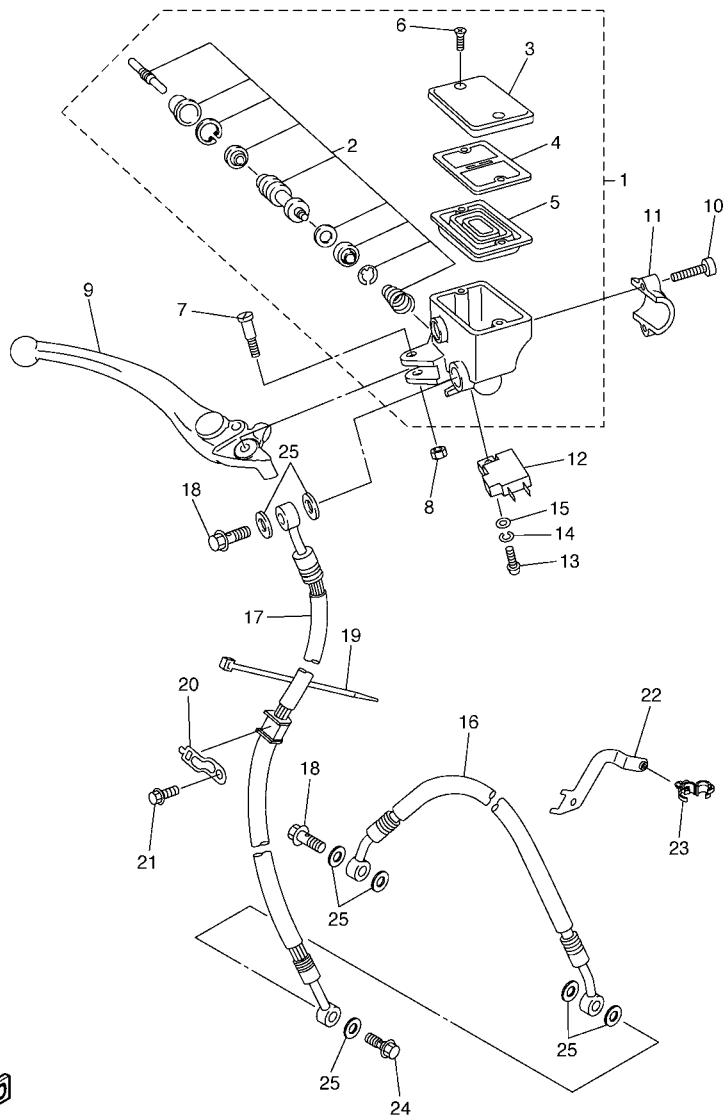
REF. NO.	PART NO.	DESCRIPTION	4S81				REMARKS
1	2D1-2582W-00	DISK, REAR BRAKE 2	1				
2	90109-08045	BOLT	5				
3	5VX-2580W-00	CALIPER ASSY, REAR 2	1				
4	5SL-W0057-00	.PISTON ASSY, CALIPER	1				
5	5SL-W0047-00	..CALIPER SEAL KIT	1				
6	5SL-25917-00	.BOOT, CALIPER	1				
7	5SL-25838-00	.SLEEVE, CALIPER	1				
8	5SL-25919-00	.SUPPORT, PAD	1				
9	5SL-25914-00	.PIN, SLIDE	1				
10	5VX-25921-50	.BRACKET, SUPPORT	1				
11	3JD-25917-00	.BOOT, CALIPER	1				
12	5VX-W0046-00	.BRAKE PAD KIT 2	1				
13	8CR-25924-00	.PIN, PAD	1				
14	5DH-25916-00	.PLUG	1				
15	5SL-25926-00	.BOLT	1				
16	1UY-W0048-00	.BLEED SCREW KIT	1				
17	5SL-25827-00	.SHIM, CALIPER	1				
18	5SL-25827-10	.SHIM, CALIPER	1				
19	5SL-25828-00	.SHIM, CALIPER	2				

FIG. 33 STEERING HANDLE & CABLE



FWD
5VX6300-D330

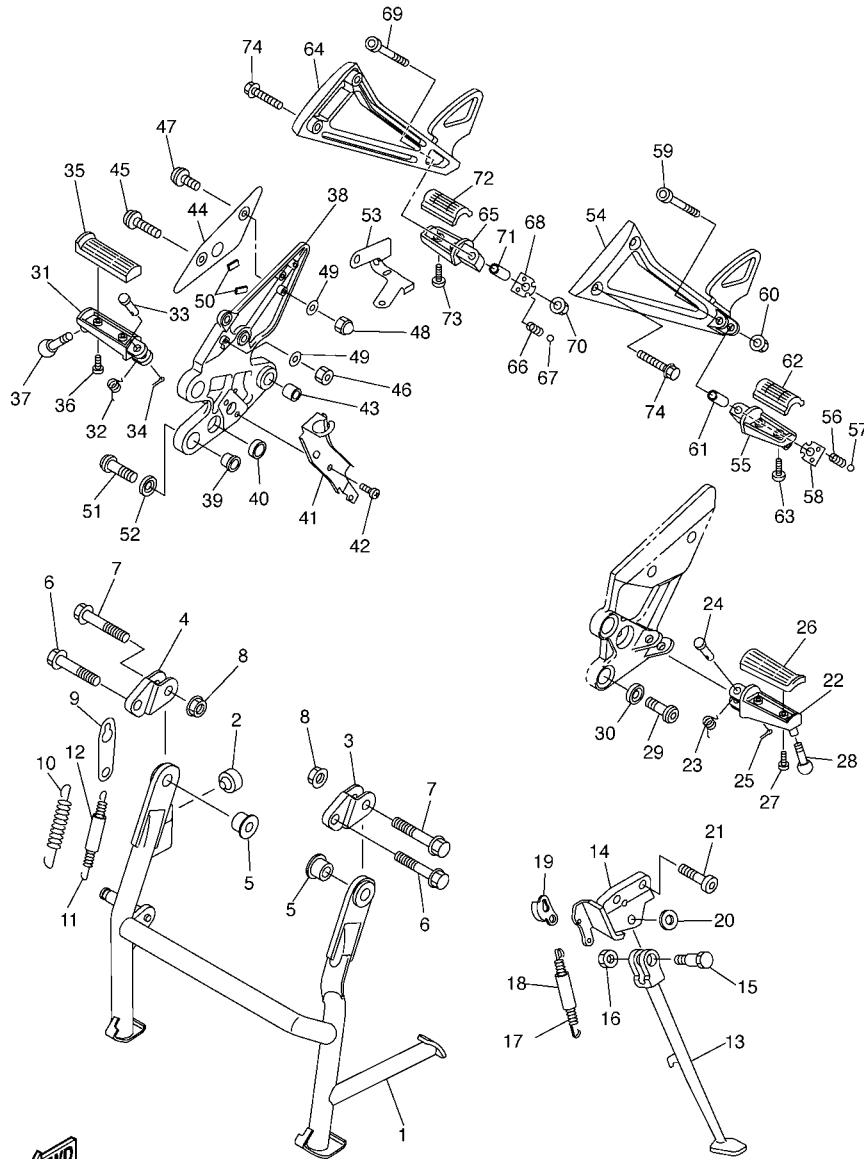
REF. NO.	PART NO.	DESCRIPTION	4S81				REMARKS
1	5VX-26335-00	CABLE, CLUTCH	1				
2	5VX-26111-10	HANDLEBAR	1				
3	4YR-26241-02	GRIP (LEFT)	1				
4	4YR-26240-02	GRIP ASSY	1				
5	51J-26246-01	END, GRIP	2				
6	5VX-26311-00	CABLE, THROTTLE 1	1				
7	5VX-26312-00	CABLE, THROTTLE 2	1				



4S81300-F340

FIG. 34 FRONT MASTER CYLINDER

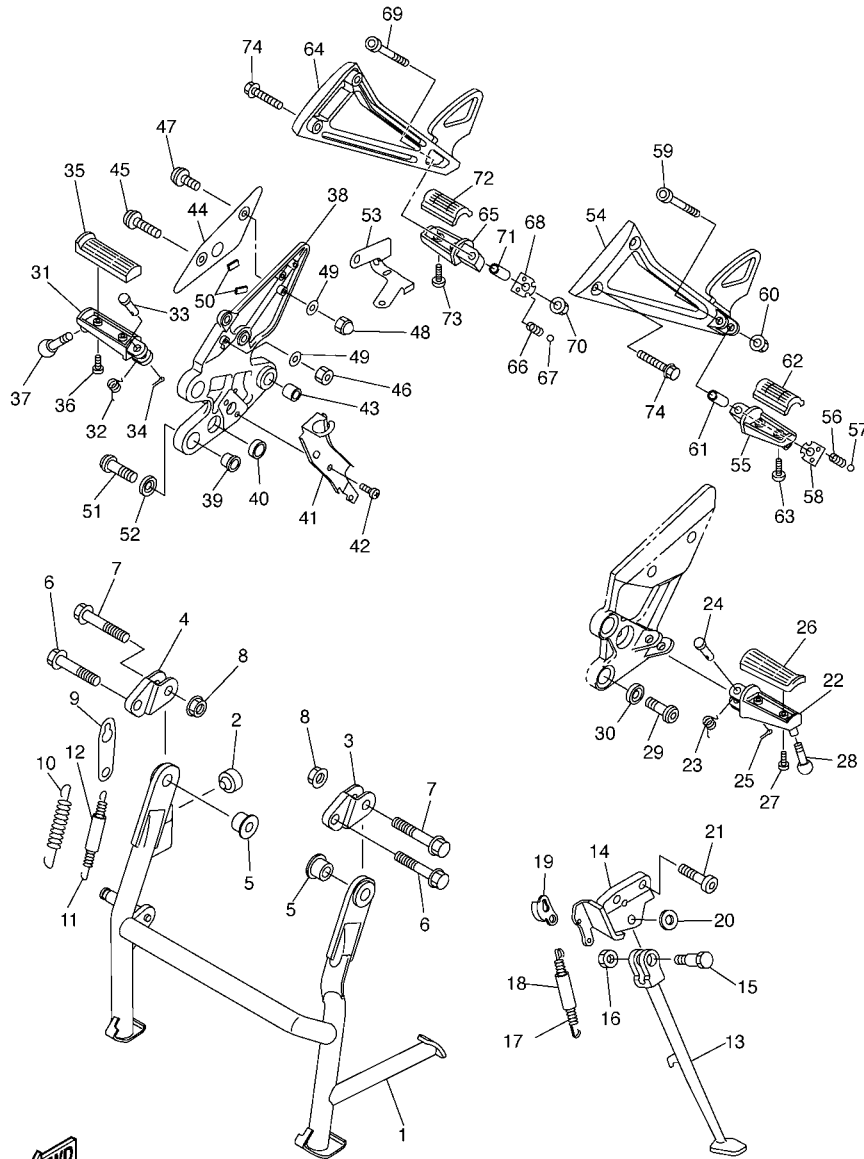
REF. NO.	PART NO.	DESCRIPTION	4S81				REMARKS
1	5VS-W2587-00	MASTER CYLINDER SUB ASSY	1				
2	5VS-W0041-00	.CYLINDER KIT, MASTER	1				
3	5VS-25852-00	.CAP, RESERVOIR	1				
4	5VS-25855-00	.BUSH,DIAPHRAGM	1				
5	5VS-25854-00	.DIAPHRAGM, RESERVOIR	1				
6	5VS-2589H-00	.SCREW	2				
7	5VS-2589F-00	BOLT, LEVER	1				
8	95617-06100	NUT, U	1				
9	5VS-83922-00	LEVER 2	1				
10	5VS-26332-00	BOLT	2				
11	5VS-25867-00	BRACKET, MASTER CYLINDER	1				
12	4HM-83980-00	FRONT STOP SWITCH ASSY	1				
13	98502-04012	SCREW, PAN HEAD	1				
14	92902-04100	WASHER, SPRING	1				
15	92902-04600	WASHER, PLATE	1				
16	4S8-25872-00	HOSE, BRAKE 1	1				
17	4S8-25873-00	HOSE, BRAKE 2	1				
18	90401-10020	BOLT, UNION	2				
19	1UA-82591-00	BAND	1				
20	5SL-25876-00	HOLDER, BRAKE HOSE 2	1				
21	95807-06010	BOLT, FLANGE	1				
22	4S8-25875-00	HOLDER, BRAKE HOSE 1	1				
23	90464-18002	CLAMP	1				
24	90401-10038	BOLT, UNION	1				
25	90430-10005	GASKET	7				



4S81300-F350

FIG. 35 STAND & FOOTREST

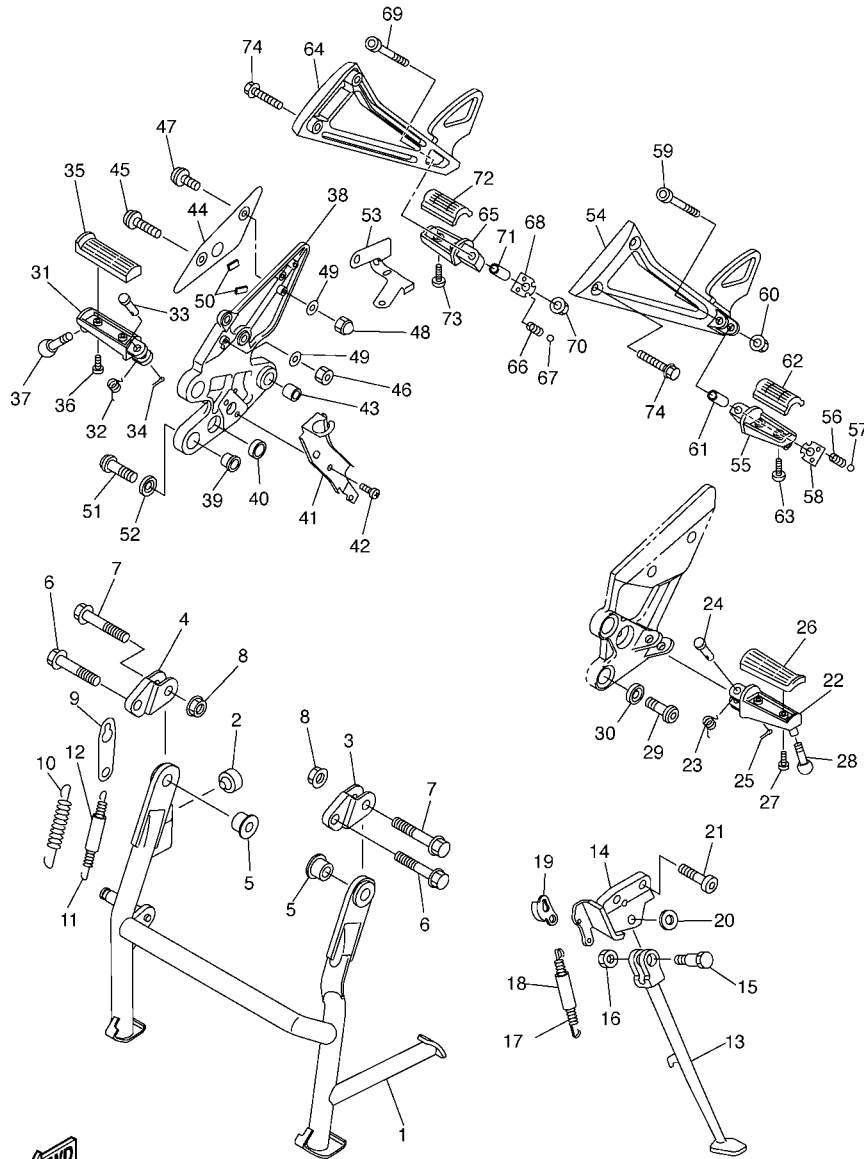
REF. NO.	PART NO.	DESCRIPTION	4S81				REMARKS
1	5VX-27111-03	STAND, MAIN	1				
2	4GL-27114-00	STOPPER, MAIN STAND	1				
3	5VX-27151-02	BRACKET, MAIN STAND	1				
4	5VX-27152-02	BRACKET, MAIN STAND 2	1				
5	5VX-27113-00	COLLAR, MAIN STAND	2				
6	90105-10088	BOLT, FLANGE	2				
7	90105-10090	BOLT, FLANGE	2				
8	95707-10500	NUT, FLANGE	4				
9	5VX-27115-00	LINK, MAIN STAND	1				
10	90506-50001	SPRING, TENSION	1				
11	90506-26008	SPRING, TENSION	1				
12	90445-170K9	HOSE (L60)	1				
13	5VX-27311-01	STAND, SIDE	1				
14	5VX-27321-02	BRACKET, SIDE STAND	1				
15	90109-10011	BOLT	1				
16	90185-10037	NUT, SELF-LOCKING	1				
17	90506-23007	SPRING, TENSION	1				
18	5VX-27351-00	GUIDE, SIDE STAND	1				
19	5VX-27315-00	LINK, SIDE STAND	1				
20	90201-12021	WASHER, PLATE	1				
21	90110-10010	BOLT, HEXAGON SOCKET HEAD	2				
22	4BH-27451-01	FOOTREST	1				
23	90508-20572	SPRING, TORSION	1				
24	91701-08040	PIN, CLEVIS	1				
25	91401-25015	PIN, COTTER	1				
26	3YX-27413-00	COVER, FOOTREST	1				
27	90157-05079	SCREW, PAN HEAD	2				



4S81300-F350

FIG. 35 STAND & FOOTREST

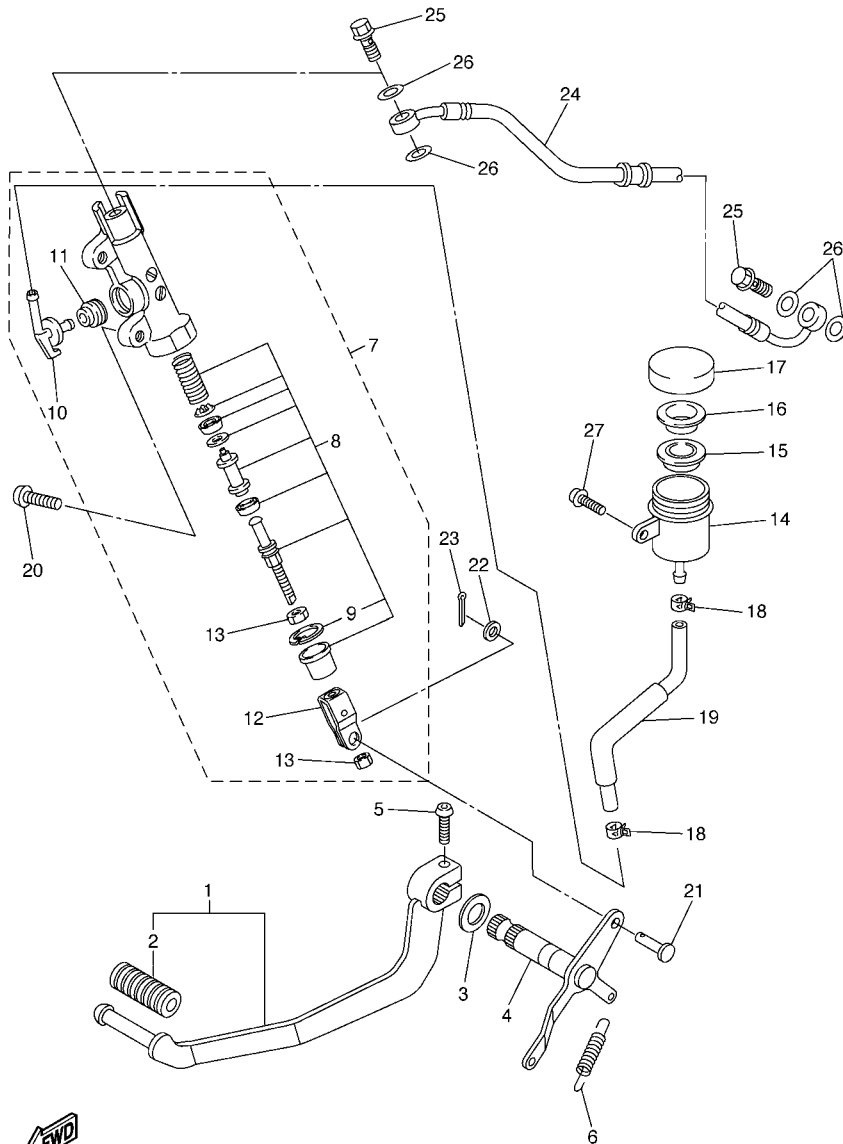
REF. NO.	PART NO.	DESCRIPTION	4S81				REMARKS
28	90109-08174	BOLT	1				
29	90110-08220	BOLT, HEXAGON SOCKET HEAD	2				
30	90209-08295	WASHER	2				
31	4BH-27461-01	FOOTREST	1				
32	90508-20572	SPRING, TORSION	1				
33	91701-08040	PIN, CLEVIS	1				
34	91401-25015	PIN, COTTER	1				
35	3YX-27413-00	COVER, FOOTREST	1				
36	90157-05079	SCREW, PAN HEAD	2				
37	90109-08174	BOLT	1				
38	5VX-27443-10	BRACKET 3	1				
39	5VX-27424-00	DAMPER, FOOTREST 2	2				
40	5VX-27114-00	STOPPER, MAIN STAND	1				
41	5VX-2144G-00	STAY, STOP SWITCH	1				
42	98507-06008	SCREW, PAN HEAD	2				
43	90383-14001	BUSH, FORMED	1				
44	4S8-27446-00	PLATE 2	1				
45	92014-05012	BOLT, BUTTON HEAD	1				
46	95607-05100	NUT, U	1				
47	92014-05014	BOLT, BUTTON HEAD	1				
48	90176-05001	NUT, CROWN	1				
49	92990-05200	WASHER, PLAIN	2				
50	4S8-27415-00	PLATE, FOOTREST	2				
51	90110-08220	BOLT, HEXAGON SOCKET HEAD	2				
52	90209-08295	WASHER	2				
53	5VX-2587A-00	HOLDER, BRAKE HOSE	1				
54	4S8-2741L-00	BRACKET 4	1				



4S81300-F350

FIG. 35 STAND & FOOTREST

REF. NO.	PART NO.	DESCRIPTION	4S81				REMARKS
55	5LV-27431-01	FOOTREST, REAR 1	1				
56	90501-15001	SPRING, COMPRESSION	1				
57	93501-04011	BALL	1				
58	5JJ-27437-01	WASHER, SPECIAL	1				
59	91314-06040	BOLT	1				
60	95604-06200	NUT, U FLANGE	1				
61	90387-06014	COLLAR	1				
62	3YX-27413-00	COVER, FOOTREST	1				
63	90157-05134	SCREW, PAN HEAD	2				
64	4S8-2742L-00	BRACKET 5	1				
65	5LV-27441-01	FOOTREST, REAR 2	1				
66	90501-15001	SPRING, COMPRESSION	1				
67	93501-04011	BALL	1				
68	5JJ-27437-01	WASHER, SPECIAL	1				
69	91314-06040	BOLT	1				
70	95604-06200	NUT, U FLANGE	1				
71	90387-06014	COLLAR	1				
72	3YX-27413-00	COVER, FOOTREST	1				
73	90157-05134	SCREW, PAN HEAD	2				
74	90105-081A4	BOLT, FLANGE	4				

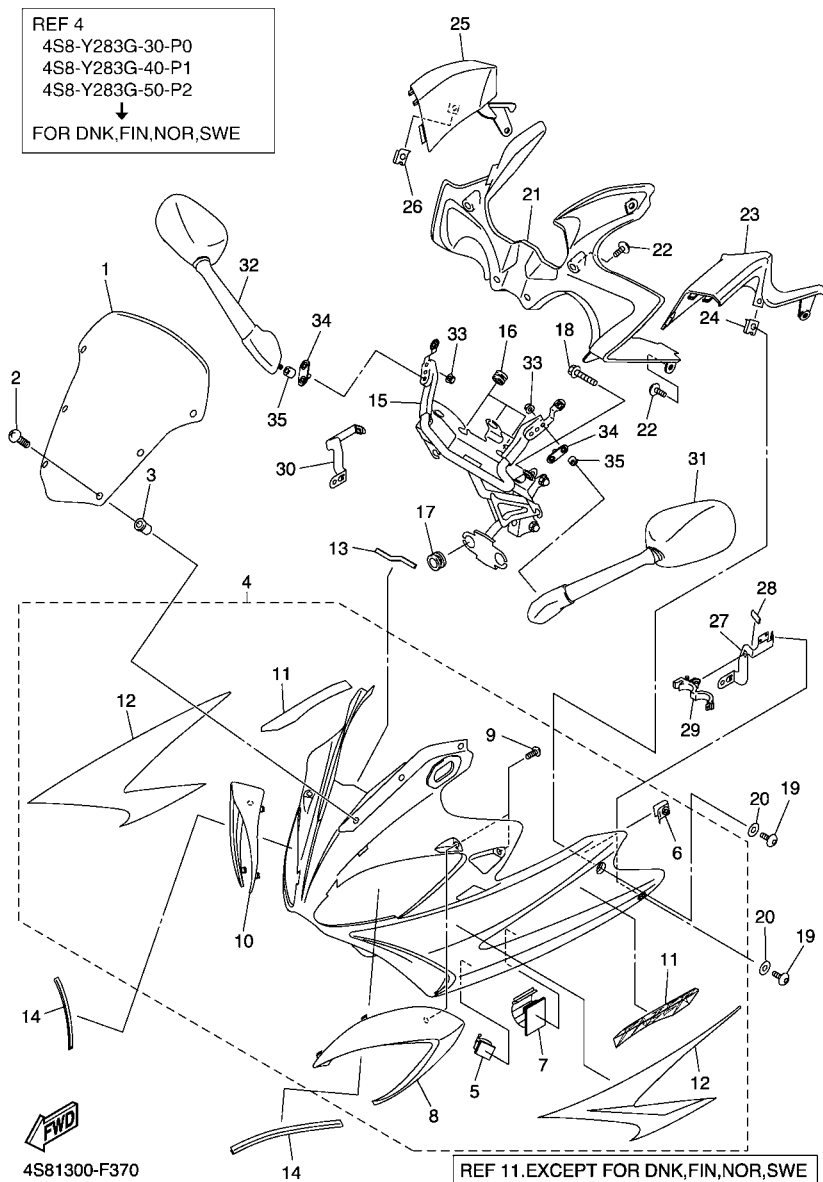


5VXL300-F360

FIG. 36 REAR MASTER CYLINDER

REF. NO.	PART NO.	DESCRIPTION	4S81				REMARKS
1	5VX-27200-00	PEDAL, BRAKE	1				
2	5EB-18113-00	.COVER, SHIFT PEDAL	1				
3	90201-14215	WASHER, PLATE	1				
4	5VX-27212-00	SHAFT, BRAKE PEDAL	1				
5	92014-06020	BOLT, BUTTON HEAD	1				
6	90506-20223	SPRING, TENSION	1				
7	2D1-2583V-00	RR. MASTER CYLINDER ASSY.	1				
8	5VX-W0042-50	.CYLINDER KIT, MASTER	1				
9	3LN-2585G-00	..CIRCLIP	1				
10	2D1-2582A-00	.JOINT	1				
11	4BP-2585F-00	.BUSH	1				
12	4BP-27222-01	.JOINT	1				
13	90170-08010	.NUT	2				
14	4P5-25894-00	TANK, RESERVOIR	1				
15	5SL-25854-00	DIAPHRAGM, RESERVOIR	1				
16	5SL-25855-00	BUSH,DIAPHRAGM	1				
17	5SL-25852-00	CAP, RESERVOIR	1				
18	90467-120A3	CLIP	2				
19	4S8-25895-00	HOSE, RESERVOIR	1				
20	92014-08020	BOLT, BUTTON HEAD	2				
21	90240-08124	PIN, CLEVIS	1				
22	90201-08083	WASHER, PLATE	1				
23	91401-20012	PIN, COTTER	1				
24	5VX-2581K-01	HOSE, BRAKE 5	1				
25	90401-10020	BOLT, UNION	2				
26	90430-10005	GASKET	4				
27	90119-06044	BOLT, WITH WASHER	1				

FIG. 37 COWLING 1



REF. NO.	PART NO.	DESCRIPTION	4S81				REMARKS
1	4S8-28381-00	WINDSHIELD	1				
2	90150-05023	SCREW, ROUND HEAD	6				
3	90179-05523	NUT	6				
4	4S8-Y283G-00-P0	BODY, FRONT UPPER 1	1				UR FOR SMX
	4S8-Y283G-30-P0	BODY, FRONT UPPER 1	1				UR FOR SMX
	4S8-Y283G-10-P1	BODY, FRONT UPPER 1	1				UR FOR DRMK
	4S8-Y283G-40-P1	BODY, FRONT UPPER 1	1				UR FOR DRMK
	4S8-Y283G-20-P2	BODY, FRONT UPPER 1	1				UR FOR DPBMC
	4S8-Y283G-50-P2	BODY, FRONT UPPER 1	1				UR FOR DPBMC
5	90464-54086	.CLAMP	2				
6	90183-05076	.NUT, SPRING	2				
7	90464-20003	.CLAMP	1				
8	4S8-28345-00-P0	.MOLE 1	1				UR FOR SMX
	4S8-28345-00-P1	.MOLE 1	1				UR FOR DRMK
	4S8-28345-00-P2	.MOLE 1	1				UR FOR DPBMC
9	97707-50016	.SCREW, TRUSS HEAD TAPPING	4				
10	4S8-28346-00-P0	.MOLE 2	1				UR FOR SMX
	4S8-28346-00-P1	.MOLE 2	1				UR FOR DRMK
	4S8-28346-00-P2	.MOLE 2	1				UR FOR DPBMC
11	4S8-28315-00	.EMBLEM	2				UR FOR SMX
	4S8-28315-10	.EMBLEM	2				UR FOR DRMK
	4S8-28315-20	.EMBLEM	2				UR FOR DPBMC
12	4S8-283B1-00	.GRAPHIC SET	1				UR FOR SMX
	4S8-283B1-10	.GRAPHIC SET	1				UR FOR DRMK
	4S8-283B1-20	.GRAPHIC SET	1				UR FOR DPBMC
13	4S8-28347-00	MOLE 3	1				
14	4S8-28376-00	TRIM	2				

REF 4
 4S8-Y283G-30-P0
 4S8-Y283G-40-P1
 4S8-Y283G-50-P2
 ↓
 FOR DNK,FIN,NOR,SWE

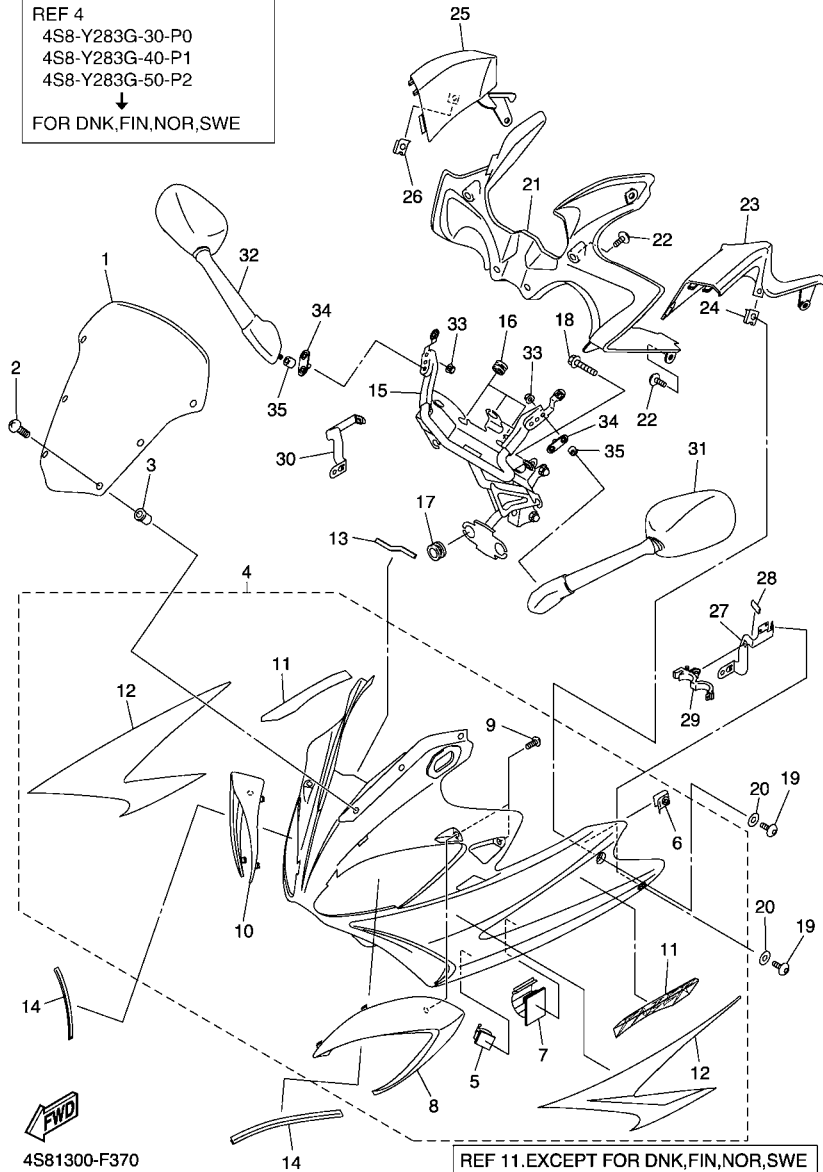


FIG. 37 COWLING 1

REF. NO.	PART NO.	DESCRIPTION	4S81				REMARKS
15	4S8-28356-00	STAY 1	1				
16	3C3-83513-00	DAMPER	3				
17	90480-14229	GROMMET	4				
18	90119-08081	BOLT, WITH WASHER	2				
19	90110-06200	BOLT, HEXAGON SOCKET HEAD	4				
20	90202-06170	WASHER, PLATE	4				
21	4S8-2836K-00	PANEL, INNER 1	1				
22	90110-05201	BOLT, HEXAGON SOCKET HEAD	6				
23	4S8-2836L-00	PANEL, INNER 2	1				
24	90183-06053	NUT, SPRING	1				
25	4S8-2836M-00	PANEL, INNER 3	1				
26	90183-06053	NUT, SPRING	1				
27	4S8-2836A-00	BRACKET 1	1				
28	1FK-2171M-00	MOLE, SIDE COVER 2	1				
29	90464-16006	CLAMP	1				
30	4S8-2836E-00	BRACKET 2	1				
31	4S8-26280-00	REAR VIEW MIRROR ASSY (LEFT)	1				
32	4S8-26290-00	REAR VIEW MIRROR ASSY (RIGHT)	1				
33	95707-06500	NUT, FLANGE	4				
34	5VY-26298-00	PLATE, MIRROR FITTING 1	2				
35	90387-06372	COLLAR	4				

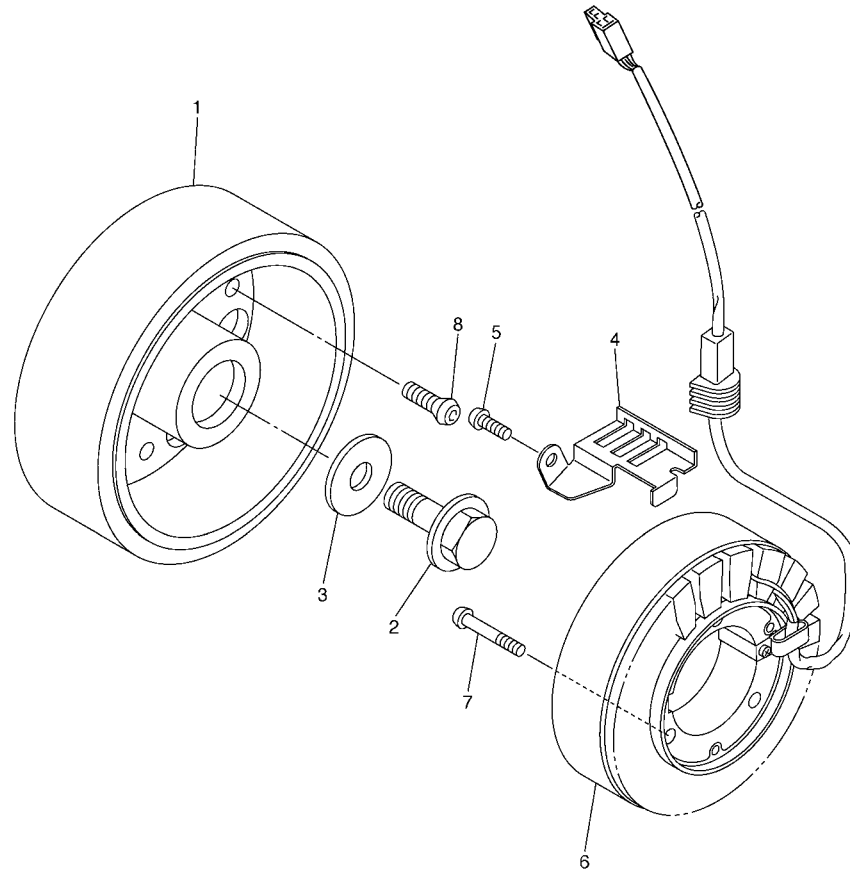


FIG. 38 GENERATOR

REF. NO.	PART NO.	DESCRIPTION	4S81				REMARKS
1	5VX-81450-00	ROTOR ASSY	1				
2	90105-126A8	BOLT, FLANGE	1				
3	90201-12008	WASHER, PLATE	1				
4	5VX-15484-00	CLAMP 2	1				
5	90149-06250	SCREW	1				
6	5VX-81410-00	STATOR ASSY	1				
7	90149-06019	SCREW	3				
8	90149-08003	SCREW	3				



5VX1351-C380

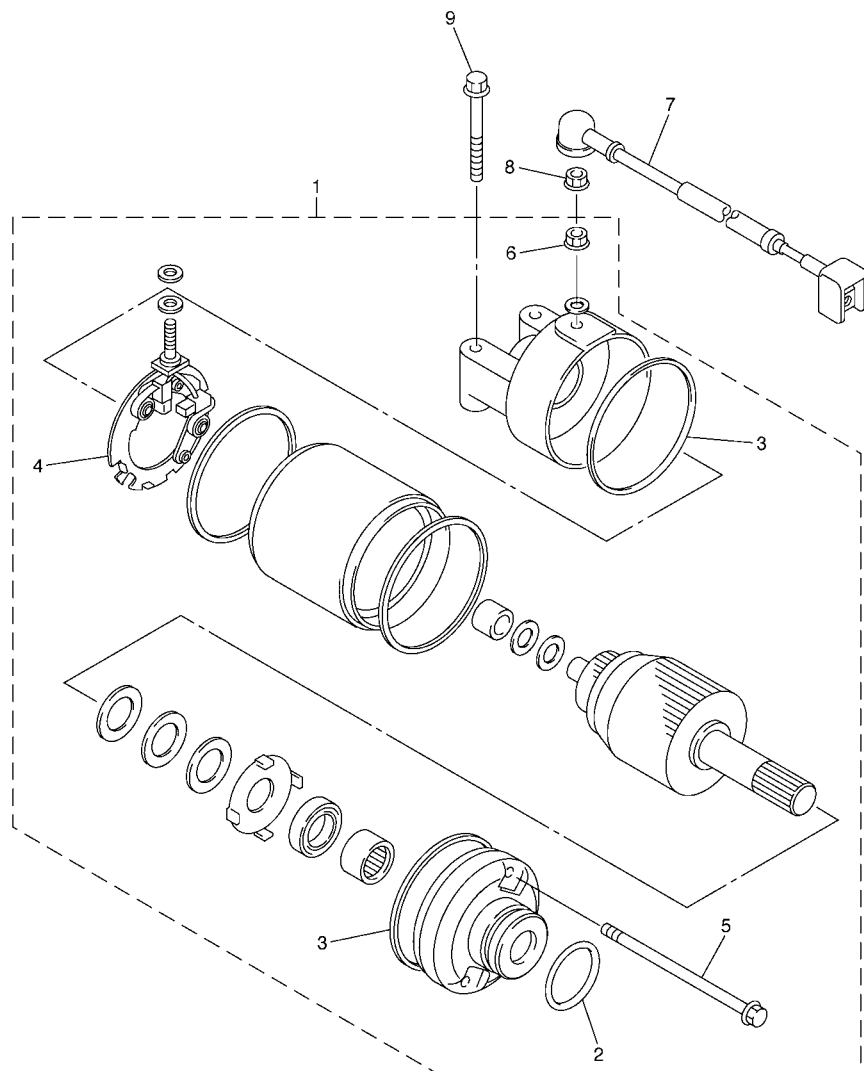
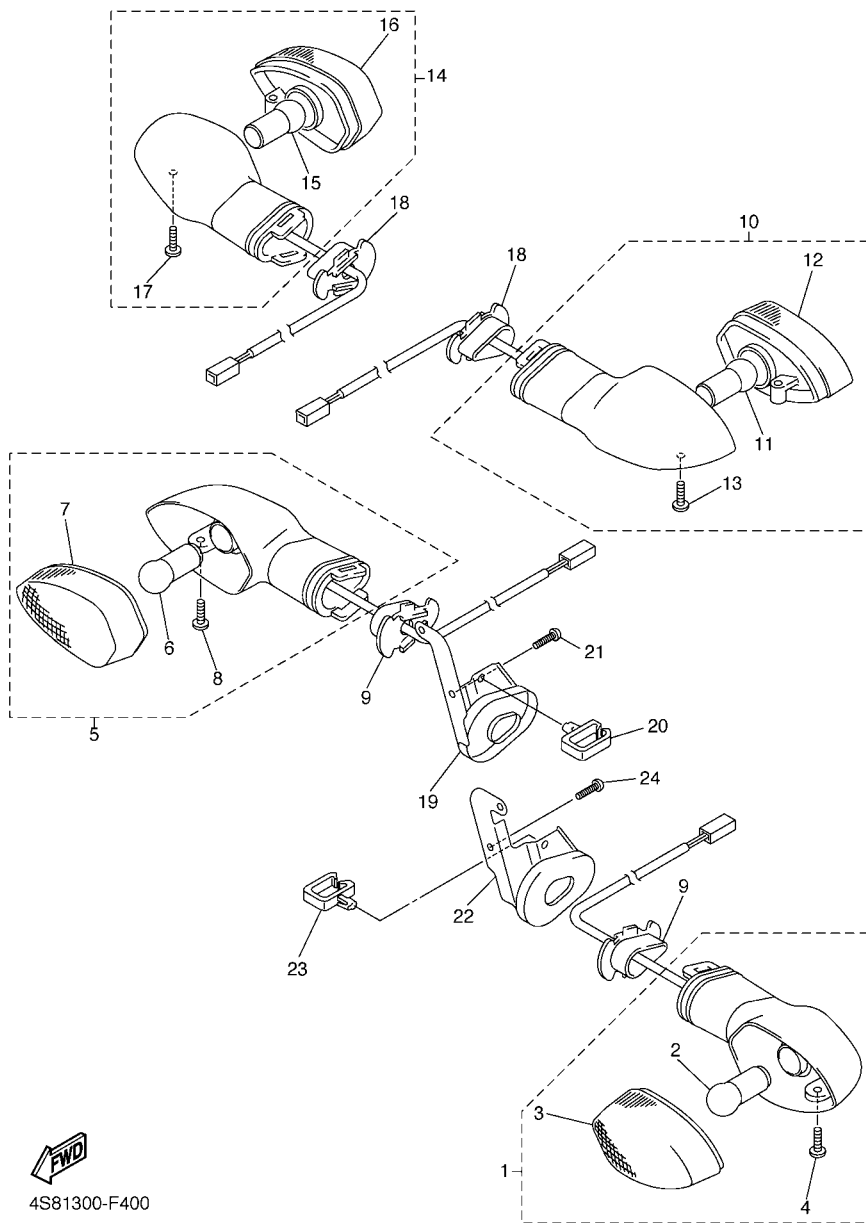


FIG. 39 STARTING MOTOR

REF. NO.	PART NO.	DESCRIPTION	4S81				REMARKS
1	5EB-81890-00	MOTOR ASSY	1				
2	1FK-81847-00	.O-RING	1				
3	4WP-81844-00	.GASKET	2				
4	4WP-81801-00	.BRUSH SET	1				
5	4WP-81826-00	.BOLT	2				
6	4XV-8182A-00	.NUT	1				
7	5VX-81815-00	CORD, STARTER MOTOR	1				
8	4XV-8182A-00	NUT	1				
9	95027-06040	BOLT, FLANGE	2				



5VX1351-C390

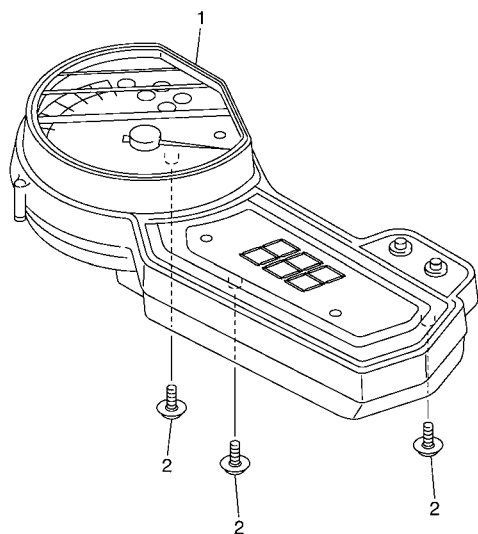


4S81300-F400

FIG. 40 FLASHER LIGHT

REF. NO.	PART NO.	DESCRIPTION	4S81				REMARKS
1	5PW-83310-01	FRONT FLASHER LIGHT ASSY 1	1				
2	1KH-83311-00	.BULB (12V-10W)	1				
3	5PW-8333A-00	.LENS COMP	1				
4	97706-04012	.SCREW, TAPPING	1				
5	5PW-83320-01	FRONT FLASHER LIGHT ASSY 2	1				
6	1KH-83311-00	.BULB (12V-10W)	1				
7	5PW-8334A-00	.LENS COMP	1				
8	97706-04012	.SCREW, TAPPING	1				
9	5PW-83318-00	STAY, FLASHER 1	2				
10	5VX-83330-00	REAR FLASHER LIGHT ASSY 1	1				
11	1KH-83311-00	.BULB (12V-10W)	1				
12	5PW-8334A-00	.LENS COMP	1				
13	97706-04012	.SCREW, TAPPING	1				
14	5VX-83340-00	REAR FLASHER LIGHT ASSY 2	1				
15	1KH-83311-00	.BULB (12V-10W)	1				
16	5PW-8333A-00	.LENS COMP	1				
17	97706-04012	.SCREW, TAPPING	1				
18	5PW-83318-00	STAY, FLASHER 1	2				
19	4S8-2831U-00	STAY, SIDE 1	1				
20	90464-06005	CLAMP	1				
21	97707-50016	SCREW, TRUSS HEAD TAPPING	1				
22	4S8-2832U-00	STAY, SIDE 2	1				
23	90464-06005	CLAMP	1				
24	97707-50016	SCREW, TRUSS HEAD TAPPING	1				

FIG. 41 METER

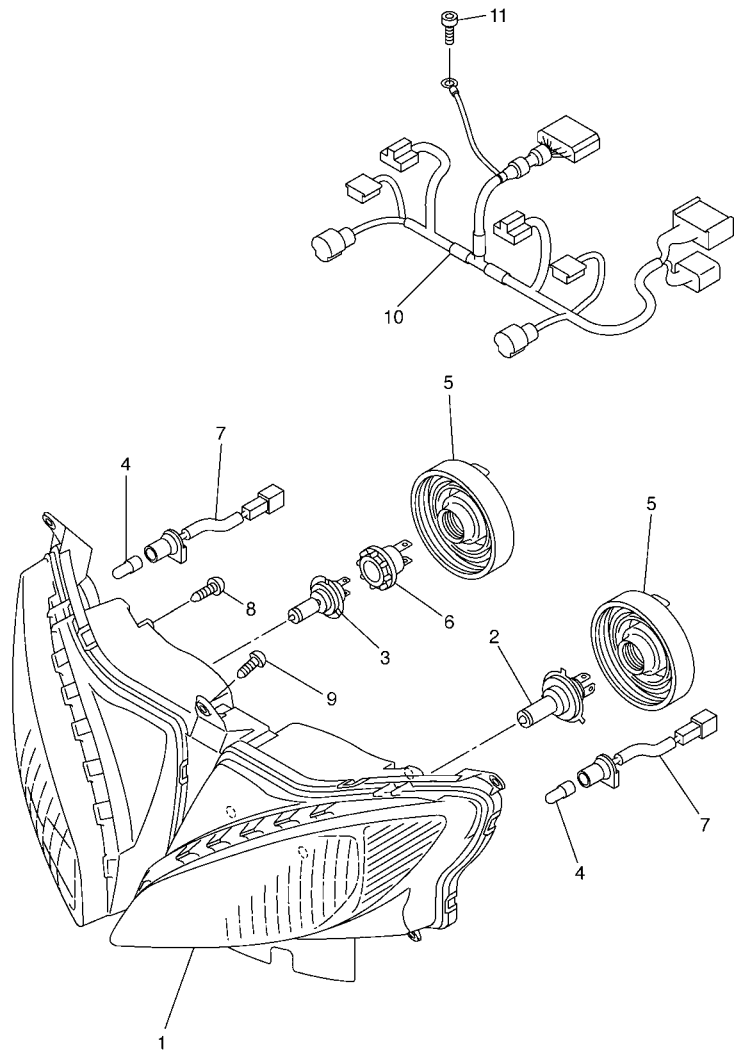


REF. NO.	PART NO.	DESCRIPTION	4S81				REMARKS
1	4S8-83500-00	SPEEDOMETER ASSY (KM/H)	1				
	4S8-83500-10	SPEEDOMETER ASSY (MPH)	1				FOR GBR
2	90164-05014	SCREW, TAPPING	3				


4S81300-F410

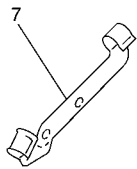
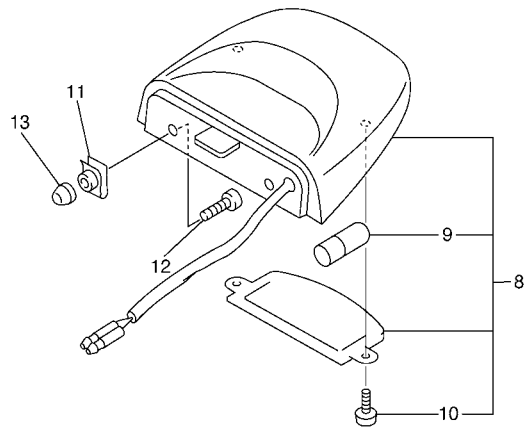
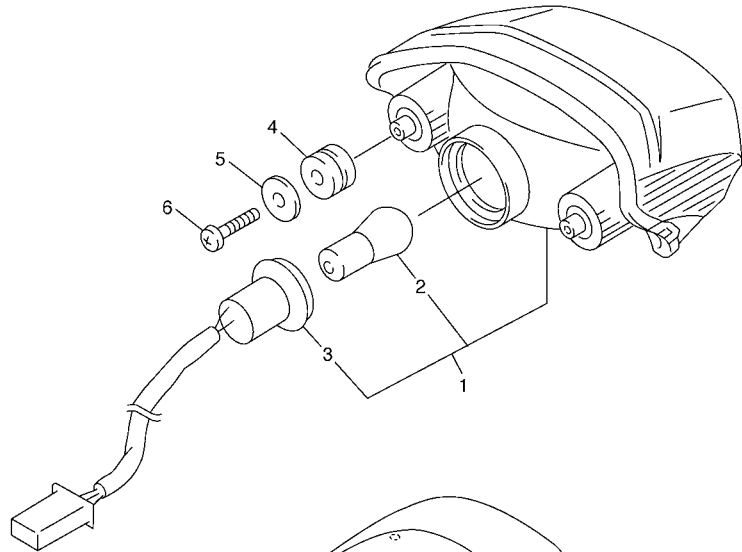
F4

FIG. 42 HEADLIGHT



REF. NO.	PART NO.	DESCRIPTION	4S81				REMARKS
1	5VX-84310-00	HEADLIGHT UNIT ASSY	1				
	5VX-84310-10	HEADLIGHT UNIT ASSY	1				FOR GBR,IRL,ZAF
2	8G9-84314-00	BULB (12V-60/55W)	1				(H4)HALOGEN
3	4SV-84314-00	BULB (12V-55W)	1				(H7)HALOGEN
4	4SV-84347-00	BULB (12V-5W)	2				
5	5LV-84397-00	COVER, SOCKET	2				
6	4SV-84350-00	SOCKET CORD ASSY 2	1				
7	5VX-84312-00	CORD ASSY	2				
8	90164-05014	SCREW, TAPPING	4				
9	97707-50016	SCREW, TRUSS HEAD TAPPING	5				
10	4S8-84359-00	CORD, HEADLIGHT	1				
	4S8-84359-10	CORD, HEADLIGHT	1				FOR GBR,IRL,ZAF
11	91380-05010	BOLT	1				


4S81300-F420



5VX1351-C430

FIG. 43 TAILLIGHT

REF. NO.	PART NO.	DESCRIPTION	4S81				REMARKS
1	5VX-84710-00	TAILLIGHT UNIT ASSY	1				
2	137-84714-60	.BULB (12V-21/5W)	1				
3	5VX-84735-00	.CORD ASSY	1				
4	90480-18276	GROMMET	2				
5	90201-06071	WASHER, PLATE	2				
6	97707-60016	SCREW, TAPPING	2				
7	5VX-21637-00	CLAMP, WIRE	1				
8	5VX-84745-01	LICENCE LIGHT UNIT ASSY	1				
9	4HC-84744-00	.BULB (12V-5W)	1				
10	97706-04012	.SCREW, TAPPING	2				
11	90183-05061	NUT, SPRING	2				
12	98907-05014	SCREW, BIND	2				
13	5VX-13569-01	PLUG, BLIND	2				

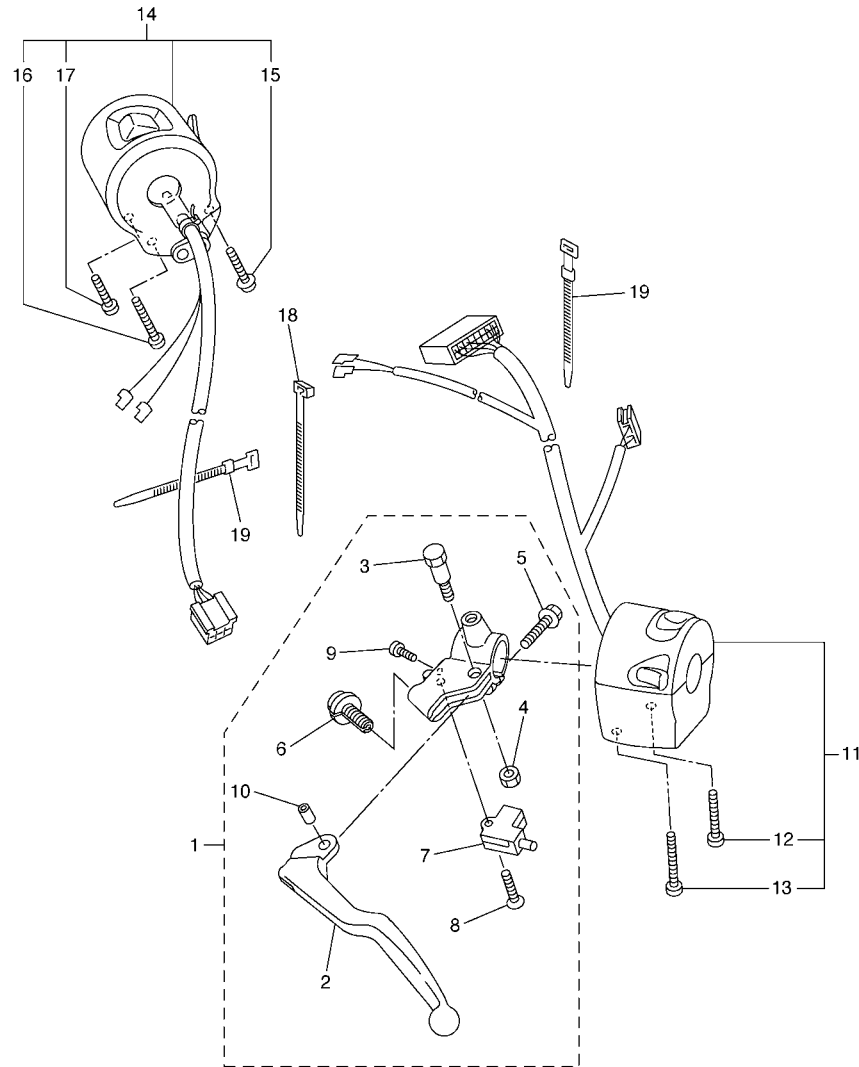


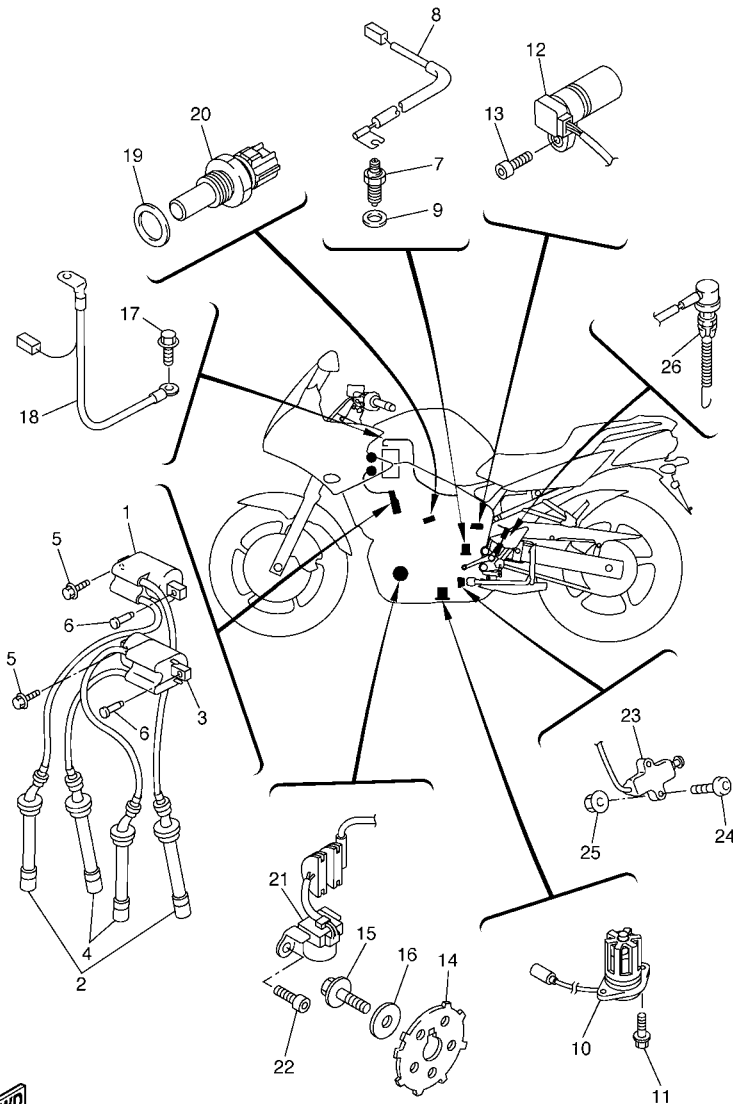
FIG. 44 HANDLE SWITCH & LEVER

REF. NO.	PART NO.	DESCRIPTION	4S81				REMARKS
1	5VX-82910-00	LEVER HOLDER ASSY (LEFT)	1				
2	5EB-83912-02	.LEVER 1	1				
3	4XV-83945-00	.BOLT, LEVER	1				
4	95607-06100	.NUT, U	1				
5	95027-06020	.BOLT, FLANGE	1				
6	5LV-83951-00	.BOLT, CABLE ADJUSTING	1				
7	3YX-82917-01	.SWITCH	1				
8	98704-03020	.SCREW, FLAT HEAD	1				
9	98507-04010	.SCREW, PAN HEAD	1				
10	5JJ-83913-00	.COLLAR, LEVER 1	1				
11	5VX-83969-01	SWITCH, HANDLE 5	1				
12	98507-05030	.SCREW, PAN HEAD	1				
13	98507-05045	.SCREW, PAN HEAD	1				
14	5VX-83975-01	SWITCH, HANDLE 2	1				
15	97607-05255	.SCREW, WITH WASHER	1				
16	98507-05045	.SCREW, PAN HEAD	1				
17	98507-05020	.SCREW, PAN HEAD	1				
18	1UA-82591-00	BAND	2				
19	437-83936-01	BAND, SWITCH CORD	2				



5VX1351-C440

FIG. 45 ELECTRICAL 1



5VX1351-C450

REF. NO.	PART NO.	DESCRIPTION	4S81				REMARKS
1	5VX-82310-00	IGNITION COIL ASSY	1				
2	5VX-82370-00	PLUG CAP ASSY	2				
3	5VX-82320-00	IGNITION COIL ASSY	1				
4	5VX-82370-00	PLUG CAP ASSY	2				
5	90105-06557	BOLT, FLANGE	2				
6	90269-06010	RIVET	2				
7	3GB-82540-01	NEUTRAL SWITCH ASSY	1				
8	5VX-82541-00	WIRE, LEAD	1				
9	90430-10148	GASKET	1				
10	5VX-85720-01	OIL LEVEL GAUGE ASSY	1				
11	95022-06016	BOLT, FLANGE	2				
12	5EB-83755-01	SENSOR, SPEED	1				
13	91312-06016	BOLT	1				
14	5VX-81673-00	ROTOR	1				
15	90105-08386	BOLT, FLANGE	1				
16	90201-08753	WASHER, PLATE	1				
17	91380-06012	BOLT	1				
18	5VX-82116-00	WIRE, MINUS LEAD	1				
19	90201-12790	WASHER, PLATE	1				
20	8CC-85790-01	THERMOSENSOR ASSY	1				
21	5VX-81670-00	PICK-UP ASSY	1				
22	91317-06016	BOLT	2				
23	5VS-82566-61	SWITCH, SIDE STAND	1				
24	92017-05025	BOLT, BUTTON HEAD	2				
25	95607-05200	NUT, U FLANGE	2				
26	5VX-82530-00	STOP SWITCH ASSY	1				

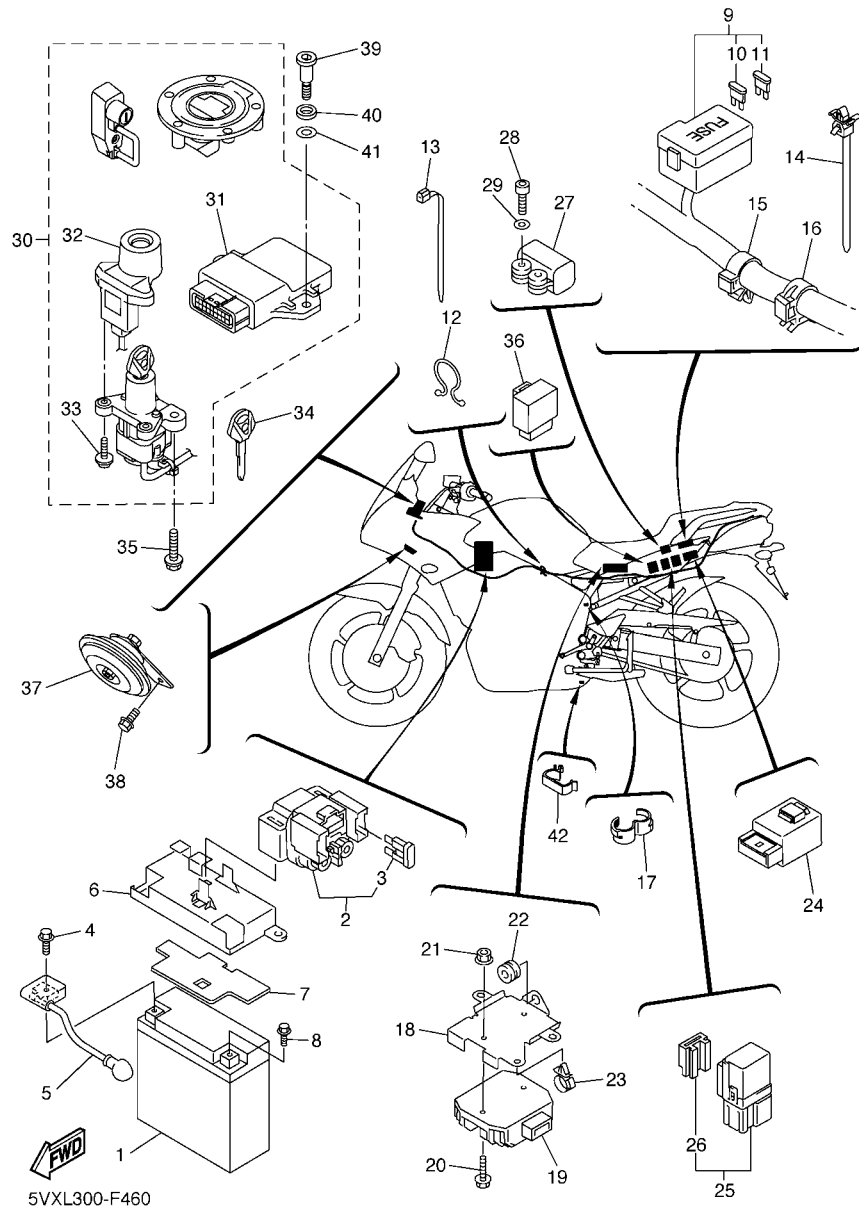


FIG. 46 ELECTRICAL 2

REF. NO.	PART NO.	DESCRIPTION	4S81				REMARKS
1	4TX-82100-02	BATTERY ASSY (GS GT12B-4)	1				
2	4BH-81940-02	STARTER RELAY ASSY	1				
3	1AE-82151-00	.FUSE (30A-BL)	2				
4	95027-06008	BOLT, FLANGE	1				
5	5VX-82115-00	WIRE, PLUS LEAD	1				
6	5VX-2124E-00	COVER, BATTERY	1				
7	5VX-82123-00	SEAT, BATTERY	1				
8	95027-06008	BOLT, FLANGE	1				
9	4S8-82590-00	WIRE HARNESS ASSY	1				
10	5JJ-82151-30	.FUSE (10A-BL)	6				
11	5JJ-82151-20	.FUSE (20A-BL)	3				
12	90464-14058	CLAMP	1				
13	90464-13077	CLAMP	1				
14	90464-12089	CLAMP	1				
15	90464-16006	CLAMP	2				
16	90464-15192	CLAMP	2				
17	90464-16001	CLAMP	1				
18	5VX-2128A-00	BRACKET, REGULATOR	1				
19	5VX-81960-00	RECTIFIER & REGULATOR ASSY	1				
20	95807-06020	BOLT, FLANGE	2				
21	95707-06500	NUT, FLANGE	2				
22	90480-11005	GROMMET	1				
23	90464-13249	CLAMP	1				
24	5VK-81950-30	RELAY ASSY	1				
25	5EA-81950-20	RELAY ASSY	2				
26	5EA-81952-00	.HOLDER, RELAY	1				
27	5PS-82576-01	LEAN ANGLE SENSOR	1				

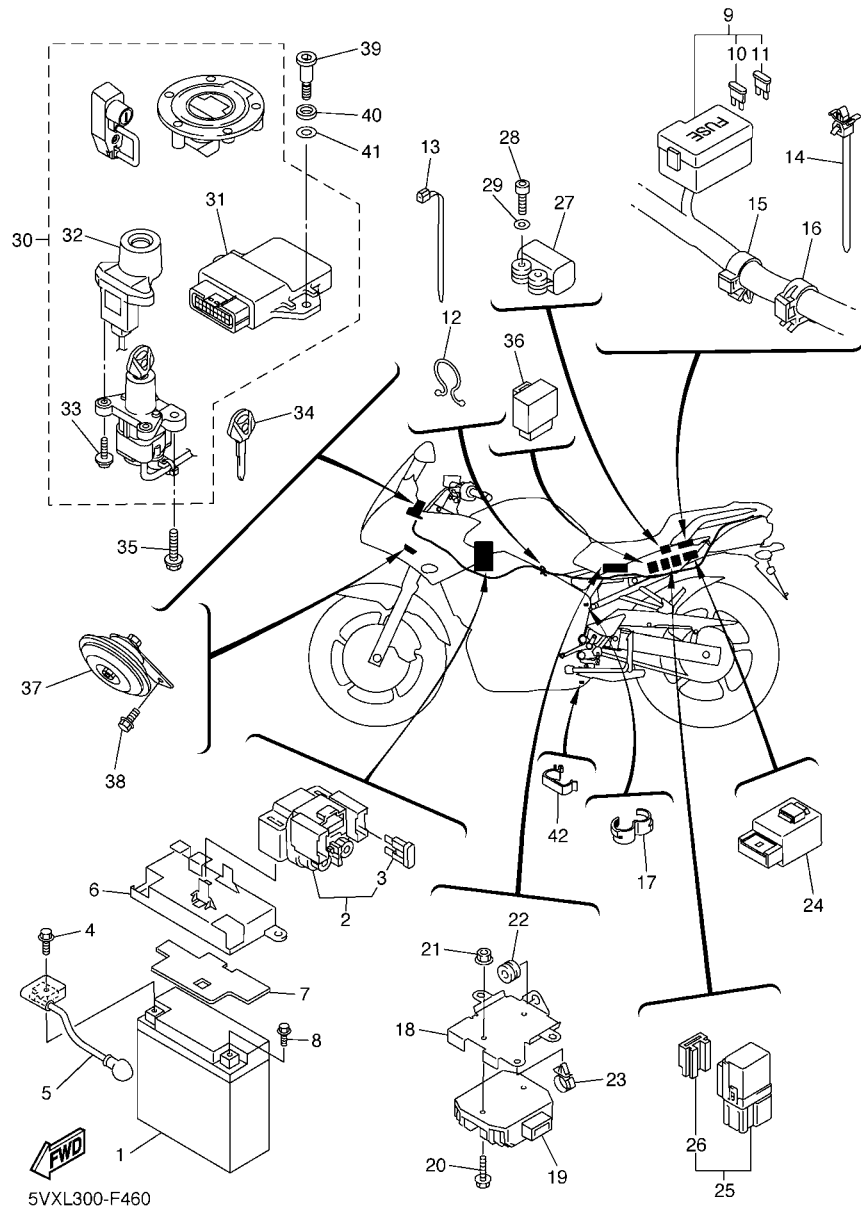


FIG. 46 ELECTRICAL 2

REF. NO.	PART NO.	DESCRIPTION	4S81				REMARKS
28	91317-04025	BOLT	2				
29	90201-047A2	WASHER, PLATE	2				
30	4S8-W8250-00	MAIN SW. IMMOBILIZER KIT	1				
31	4S8-8591A-00	.ENGINE CONTROL UNIT ASSY	1				
32	5VX-8255P-00	.IMMOBILIZER. UNIT COMP.	1				
33	5SL-82113-00	.SCREW	2				
34	5SL-82511-08	BLANK KEY	1				AP
35	90109-080G5	BOLT	2				
36	3XV-83350-21	FLASHER RELAY ASSY	1				
37	5VX-83371-01	HORN	1				
38	95807-06010	BOLT, FLANGE	1				
39	90109-06055	BOLT	2				
40	5VX-21778-00	DAMPER, LOCATING 1	2				
41	90202-08205	WASHER, PLATE	2				
42	90464-24230	CLAMP	1				

NUMERICAL INDEX

PART NO.	GRID NO.	PART NO.	GRID NO.	PART NO.	GRID NO.	PART NO.	GRID NO.	PART NO.	GRID NO.	PART NO.	GRID NO.
1B3-11101-00	B - 2	1HX-12168-U1	B - 4	4NK-12579-00	B - 7	5CA-14435-00	B - 12	5VX-15484-00	E - 15	136-18542-00	C - 13
4KG-1111G-00	B - 2	1HX-12168-W1	B - 4	4S8-12579-00	B - 8	5VX-14451-00	B - 12	5SL-15512-00	C - 8	4S8-21110-09	D - 2
5EB-11133-10	B - 2	1HX-12168-Y1	B - 4	5VX-12581-00	B - 7	5VX-14452-00	B - 12	5MT-15515-00	C - 8	5VX-2117B-31	D - 3
5SL-11165-00	C - 4	1HX-12169-11	B - 4	5SL-12588-01	B - 7	5VX-14453-00	B - 12	5EB-15521-00	C - 8	5VX-2117B-41	D - 3
5VX-11181-00	B - 2	1HX-12169-31	B - 4	4S8-12589-00	B - 9	5VX-14463-00	B - 12	5SL-15590-00	C - 8	5VX-2117B-A1	D - 3
1B3-11191-00	B - 2	1HX-12169-50	B - 5	5EB-12822-00	B - 11	5VX-14503-00	B - 14	5VX-16150-00	C - 9	5PW-2117K-00	D - 15
5SL-11193-00	B - 2	1HX-12169-70	B - 5	5VX-13160-00	B - 14	5VX-14565-00	B - 13	5EB-16154-00	C - 9	5VX-2117M-01	D - 3
214-11198-01	B - 11	1HX-12169-90	B - 5	5EB-13161-00	B - 10	4S8-14610-00	C - 2	1AE-16164-00	C - 9	4S8-21190-09	D - 2
5SL-11411-00	B - 3	1HX-12169-E0	B - 5	5EB-1316E-00	B - 10	3YF-14613-01	C - 2	4FN-16321-00	C - 9	4S8-2119V-00	D - 4
5EB-11416-00	B - 3	1HX-12169-G0	B - 5	5MT-13300-00	B - 10	5VX-1467K-00	C - 2	4H7-16321-02	C - 9	4P5-21228-00	D - 4
5EB-11416-10	B - 3	1HX-12169-J0	B - 5	5SL-13410-00	B - 10	5VX-14708-10	C - 2	168-16324-00	C - 9	5VX-21238-00	D - 2
5EB-11416-20	B - 3	1HX-12169-L0	B - 5	5VX-13414-01	B - 11	5VX-14710-01	C - 2	3J2-16324-00	C - 9	5VX-21239-00	D - 2
5EB-11416-30	B - 3	1HX-12169-N0	B - 5	5EB-13415-00	B - 10	5VY-14714-00	C - 2	5VX-16340-00	C - 9	5VX-21249-00	D - 3
5EB-11416-A0	B - 3	1HX-12169-T0	B - 5	2C0-13416-00	B - 10	5EB-14714-01	C - 2	132-16346-00	C - 14	5VX-2124E-00	F - 9
5SL-11603-00	B - 3	5VX-12170-00	B - 6	4S8-13417-00	B - 11	5JW-14723-00	B - 15	5EB-16351-01	C - 9	5VX-21268-00	D - 2
5SL-11631-00	B - 3	5VX-12176-00	B - 6	5VX-13418-00	C - 4	4S8-14740-00	C - 2	5EB-16356-01	C - 9	5VX-21269-00	D - 3
5EB-11633-00	B - 3	5VX-12180-00	B - 6	5GH-13440-20	B - 11	4FB-14766-00	C - 3	5VX-16371-00	C - 9	5VX-21279-10	D - 2
5VX-11650-00	B - 3	5SL-12210-10	B - 6	5EB-13470-00	B - 11	5VX-14807-00	B - 14	5VX-16382-00	C - 9	5VX-2128A-00	F - 9
5VX-11654-00	B - 3	4FM-12213-00	B - 6	5JW-13473-00	B - 11	5SL-1482K-00	B - 2	5SL-17121-00	C - 11	4R8-21308-00	D - 3
5VX-11656-00	B - 3	5SL-12214-00	B - 6	5EB-13475-00	B - 11	5VX-14840-00	B - 15	5SL-17131-20	C - 11	5VX-2135F-00	D - 3
5VX-11656-10	B - 3	5SL-12228-00	B - 6	3KS-13490-00	B - 11	5VX-14881-00	B - 15	5VX-17151-00	C - 11	5VX-2139B-00	D - 2
5VX-11656-20	B - 3	5BE-12241-00	B - 2	5VX-13533-00	B - 14	5VX-14882-00	B - 15	5SL-17161-00	C - 11	5VX-2139R-00	D - 3
5VX-11656-30	B - 3	5EB-12251-00	B - 6	68V-13533-00	B - 13	5VX-14883-00	B - 15	5SL-17211-00	C - 12	5VX-2139W-00	D - 3
5SL-12111-10	B - 4	5EB-12252-10	B - 6	5VX-13569-01	F - 6	5SL-14890-00	B - 2	5VX-17221-00	C - 11	5VX-2140A-00	D - 2
5EB-12113-00	B - 4	4S8-12405-00	B - 8	5SL-13586-01	B - 12	5SL-14899-00	B - 2	5SL-17231-00	C - 12	4S8-21445-00	C - 2
5EB-12114-00	B - 4	5VX-1240J-00	B - 8	5SL-13596-01	B - 12	3UH-14937-00	B - 13	5SL-17241-00	C - 11	5VX-21446-10	C - 2
5SL-12116-00	B - 4	5SL-12410-00	B - 8	5VX-13750-03	B - 13	5VX-14987-00	B - 13	5VX-17251-00	C - 12	5VX-2144G-00	E - 10
5EB-12117-00	B - 4	5VX-12413-00	B - 8	5VX-13761-00	B - 13	1B3-15100-01	C - 4	5VX-17261-00	C - 11	4S8-21511-00-P0	D - 5
1HX-12118-00	B - 4	5EB-12421-00	B - 7	5EB-13898-00	B - 10	11H-15138-00	B - 2	5SL-17411-00	C - 11	4S8-21511-00-P1	D - 5
4TV-12119-00	B - 4	5SL-12422-00	B - 7	5VX-13907-01	D - 13	5EB-15155-00	C - 4	4S8-17421-00	C - 11	4S8-21511-00-P2	D - 5
5SL-12121-10	B - 4	5FC-12437-00	B - 8	5VX-13971-00	D - 13	5EB-15163-01	C - 11	278-17424-01	C - 12	5PA-21568-00	D - 14
5EB-12124-01	B - 4	11H-12438-10	B - 7	5JW-14104-00	B - 13	36Y-15189-00	C - 4	5VX-17460-00	C - 12	5VX-2161G-00	D - 6
5EB-12126-00	B - 4	5EB-12439-00	B - 7	5VX-1410E-00	B - 13	5SL-15189-00	C - 4	5VX-18101-11	C - 14	5VX-21621-00	D - 6
5EB-12127-00	B - 4	5VX-1243A-00	B - 9	4KM-14137-00	B - 13	3F9-15362-00	C - 6	5VX-18110-00	C - 14	5VX-21629-00	D - 6
5EB-12153-09	B - 5	5VX-1243E-00	B - 14	3H1-14147-00	B - 13	5EB-15362-00	C - 4	5VX-18112-01	C - 14	5VX-21637-00	F - 6
5EB-12153-20	B - 5	4S8-1244E-00	B - 8	5PS-14147-00	B - 13	5VX-15373-00	B - 12	5EB-18113-00	C - 14	5VX-21639-00	D - 5
5EB-12153-30	B - 5	5VX-1244G-00	B - 9	5VX-14148-01	B - 12	1B3-15411-00	C - 6		E - 12	5VX-2163A-00	D - 7
1HX-12168-00	B - 4	5EB-12450-00	B - 7	5VX-14149-00	B - 13	5VX-15413-01	C - 4	5VX-18115-02	C - 14	5VX-2164F-00	D - 6
1HX-12168-20	B - 4	4S8-12461-00	B - 8	8CC-14216-10	B - 13	1B3-15416-00	C - 6	5VX-18116-00	C - 14	5VX-21650-00	D - 8
1HX-12168-40	B - 4	1B3-12462-00	B - 8	3XV-14251-00	B - 13	1B3-15418-00	C - 6	5SL-18127-00	C - 14	5VX-21651-00	D - 5
1HX-12168-60	B - 4	4S8-12467-00	B - 8	5PW-14251-00	B - 13	1B3-15421-00	C - 6	5VX-18140-00	C - 14	5VX-21665-00	D - 6
1HX-12168-80	B - 4	5EB-12469-00	B - 7	5VX-14348-00	B - 13	1B3-15425-00	C - 6	5VX-18154-00	C - 14	3XW-21668-A1	D - 8
1HX-12168-A0	B - 4	5GV-1246A-00	B - 7	5FL-14348-10	B - 13	5VX-15441-00	C - 7	5SL-18511-00	C - 13	5VX-21669-00	D - 5
1HX-12168-F0	B - 4	5GV-1246E-00	B - 7	5VX-14349-00	B - 14	5VX-15451-01	C - 6	5MT-18512-00	C - 13	1FK-2171M-00	E - 14
1HX-12168-H1	B - 4		B - 8	5VX-14396-00	B - 13	5SL-15456-01	C - 6	5EB-18513-00	C - 13	4P5-2172W-00	B - 9
1HX-12168-K1	B - 4	1AA-12535-00	B - 8	5VX-14409-00	B - 12	5SL-15461-01	C - 6	4XV-18531-00	C - 13	5VX-21732-00	D - 5
1HX-12168-M1	B - 4	5EB-12577-01	B - 7	5VX-14411-00	B - 12	5SL-15462-00	C - 4	5EB-18536-00	C - 13	5VX-21735-01	D - 5
1HX-12168-R1	B - 4	4S8-12578-00	B - 8	5VX-14421-00	B - 12	5VX-15463-01	C - 7	5VX-18540-00	C - 13	4S8-2173E-00	D - 7

NUMERICAL INDEX

PART NO.	GRID NO.	PART NO.	GRID NO.	PART NO.	GRID NO.	PART NO.	GRID NO.	PART NO.	GRID NO.	PART NO.	GRID NO.
4S8-2173E-10	D - 7	4P5-23377-00	D - 10	5MT-25398-10	E - 2	4YR-26241-02	E - 7	4S8-2831U-00	F - 3	5VX-82320-00	F - 8
4S8-2173E-20	D - 7	5VX-23389-00	D - 10		E - 4	51J-26246-01	E - 7	4S8-2832U-00	F - 3	5VX-82370-00	F - 8
4S8-2173F-00	D - 7	5VX-23415-00	D - 10	5MT-25398-20	E - 2	4S8-26280-00	E - 14	4S8-28345-00-P0	E - 13	5VX-82380-00	B - 13
4S8-2173F-10	D - 7	26H-23418-01	D - 10		E - 4	4S8-26290-00	E - 14	4S8-28345-00-P1	E - 13	5VX-82386-00	B - 14
4S8-2173F-20	D - 7	4XV-2341B-00	D - 10	5VX-25446-00	E - 4	5VY-26298-00	E - 14	4S8-28345-00-P2	E - 13	5SL-82511-08	F - 10
5VX-2173M-00	D - 4	5VX-23435-20	D - 10	4S8-2580T-00	E - 3	5VX-26311-00	E - 7	4S8-28346-00-P0	E - 13	5VX-82530-00	F - 8
5VX-2173N-01	D - 6	4S8-23441-00	D - 10	4S8-2580U-00	E - 3	5VX-26312-00	E - 7	4S8-28346-00-P1	E - 13	3GB-82540-01	F - 8
5VX-2174X-00	D - 7	3FV-23462-00	D - 12	5VX-2580W-00	E - 6	5VS-26332-00	E - 8	4S8-28346-00-P2	E - 13	5VX-82541-00	F - 8
5VX-2174Y-00	D - 7	5SL-2413B-00	D - 13	5VX-2581K-01	E - 12	5VX-26335-00	E - 7	4S8-28347-00	E - 13	5VX-8255P-00	F - 10
4S8-2175V-00	D - 4	5VX-24141-00	D - 14	5VX-2581T-01	E - 3	5VX-27111-03	E - 9	4S8-28356-00	E - 14	5VS-82566-61	F - 8
5VX-21778-00	F - 10	5EJ-2414H-00	B - 12	5SL-25827-00	E - 6	5VX-27113-00	E - 9	4S8-2836A-00	E - 14	5PS-82576-01	F - 9
5VX-21779-00	D - 4		D - 2	5SL-25827-10	E - 6	371-27114-00	D - 15	4S8-2836E-00	E - 14	4S8-82590-00	F - 9
5VX-2177F-00	D - 7	3ME-2415E-01	D - 14	5SL-25828-00	E - 6	4GL-27114-00	E - 9	4S8-2836K-00	E - 14	1UA-82591-00	E - 8
5VX-2177G-00	D - 2	4S8-24161-00	D - 13	2D1-2582A-00	E - 12	5VX-27114-00	C - 14	4S8-2836L-00	E - 14		F - 7
26H-21828-00	B - 9	4S8-24161-10	D - 13	2D1-2582W-00	E - 6		E - 10	4S8-2836M-00	E - 14	5VX-82910-00	F - 7
5VX-21843-00	D - 3	4S8-24161-20	D - 13	5SL-25838-00	E - 6	5VX-27115-00	E - 9	4S8-28376-00	E - 13	3YX-82917-01	F - 7
4P5-21871-00	B - 9	5VX-24181-00	D - 13	2D1-2583V-00	E - 12	5VX-27151-02	E - 9	4S8-28381-00	E - 13	5PW-83310-01	F - 3
4P5-21873-00	B - 9	5VX-24183-00	D - 13	5SL-25852-00	E - 12	5VX-27152-02	E - 9	4S8-283B1-00	E - 13	1KH-83311-00	F - 3
3P6-21875-00	B - 9	5VX-24191-00	D - 13	5VS-25852-00	E - 8	5VX-27200-00	E - 12	4S8-283B1-10	E - 13	5PW-83318-00	F - 3
4S8-22110-00	D - 8	5PW-24192-00	D - 13	5SL-25854-00	E - 12	5VX-27212-00	E - 12	4S8-283B1-20	E - 13	5PW-83320-01	F - 3
5JJ-22128-00	D - 8	68V-24376-00	B - 13	5VX-25854-00	E - 8	5VX-27222-01	E - 12	5VX-81410-00	E - 15	5VX-83330-00	F - 3
4FN-22141-00	D - 8	3YJ-24481-00	D - 2	5SL-25855-00	E - 12	5VX-27311-01	E - 9	5VX-81450-00	E - 15	5PW-8333A-00	F - 3
5VX-22151-00	D - 8	5JW-24486-00	D - 13	5VS-25855-00	E - 8	5VX-27315-00	E - 9	5VX-81670-00	F - 8	5VX-83340-00	F - 3
5EB-22184-00	D - 8	5SL-24491-00	D - 13	4BP-2585F-00	E - 12	5VX-27321-02	E - 9	5VX-81673-00	F - 8	5PW-8334A-00	F - 3
5VX-22210-00	D - 9	5JJ-24602-00	D - 13	3LN-2585G-00	E - 12	5VX-27351-00	E - 9	4WP-81801-00	F - 2	3XV-83350-21	F - 10
34L-22216-00	D - 9	4S8-2470F-10	D - 15	5VS-25867-00	E - 8	3YX-27413-00	E - 9	5VX-81815-00	F - 2	5VX-83371-01	F - 10
5VX-22836-00	D - 3	5VX-24724-00	D - 15	4S8-25872-00	E - 8	4S8-27415-00	C - 15	4WP-81826-00	F - 2	4S8-83500-00	F - 4
4S8-23102-00	D - 11	4NK-24728-00	D - 15	4S8-25873-00	E - 8		E - 10	4XV-8182A-00	F - 2	4S8-83500-10	F - 4
4S8-23103-00	D - 11	4S8-24730-10	D - 15	4S8-25875-00	E - 8	4S8-2741L-00	E - 10	4WP-81844-00	F - 2	3C3-83513-00	E - 14
4S8-23110-00	D - 11	5VX-24773-00-P6	D - 5	5SL-25876-00	E - 8	4XV-27424-00	C - 2	1FK-81847-00	F - 2	5EB-83755-01	F - 8
4TX-23115-00	D - 11	5VX-24773-00-P7	D - 5	5VX-2587A-00	E - 10	5VX-27424-00	C - 14	5EB-81890-00	F - 2	5EB-83912-02	F - 7
5VX-23118-00	D - 11	5VX-24773-00-P8	D - 5	4P5-2589A-00	E - 12		E - 10	4BH-81940-02	F - 9	5JJ-83913-00	F - 7
5VX-2311H-00	D - 11	4BP-24780-00	D - 15	4S8-25895-00	E - 12	4S8-2742L-00	E - 11	5EA-81950-20	F - 9	5VS-83922-00	E - 8
4KM-23123-01	D - 12	5VX-2478E-00	D - 15	5VS-2589F-00	E - 8	5LV-27431-01	E - 11	5VK-81950-30	F - 9	437-83936-01	F - 7
4TX-23125-B0	D - 11	4BP-24792-00	D - 15	5VS-2589H-00	E - 8	4BP-27434-01	C - 14	5EA-81952-00	F - 9	4XV-83945-00	F - 7
4S8-23126-00	D - 11	4XV-25117-00	E - 2	5SL-25914-00	E - 6	5JJ-27437-01	E - 11	5VX-81960-00	F - 9	5LV-83951-00	F - 7
4TX-23135-B0	D - 11	5SL-25168-00-98	E - 2	5DH-25916-00	E - 6	5LV-27441-01	E - 11	4TX-82100-02	F - 9	5VX-83969-01	F - 7
4S8-23136-00	D - 11	4XV-25181-10	E - 2	3JD-25917-00	E - 6	5VX-27442-10	C - 14	5SL-82113-00	F - 10	5VX-83975-01	F - 7
5VX-23141-00	D - 11	4XV-25317-00	E - 4	5SL-25917-00	E - 6	5VX-27443-10	E - 10	5VX-82115-00	F - 9	4HM-83980-00	E - 8
4S8-23142-00	D - 11	5SL-25338-00-98	E - 4	4SV-25919-00	E - 3	4S8-27445-00	C - 14	5VX-82116-00	F - 8	5VX-84310-00	F - 5
4TX-23144-00	D - 11	5VX-25364-00	E - 4	5SL-25919-00	E - 6	4S8-27446-00	E - 10	5VX-82122-00	D - 2	5VX-84310-10	F - 5
5VX-23145-00	D - 11	5SL-25366-00	E - 4	5VX-25921-50	E - 6	4BH-27451-01	E - 9	5VX-84312-00	F - 9	5VX-84312-00	F - 5
4TX-23151-00	D - 11	5SL-25381-10	E - 5	4SV-25924-00	E - 3	4BH-27461-01	E - 10	122-82131-00	D - 6	4SV-84314-00	F - 5
4TX-23156-00	D - 11	5SL-25383-00	E - 4	8CR-25924-00	E - 6	5VX-28100-00	D - 6	3TJ-82131-00	D - 6	8G9-84314-00	F - 5
5VX-23170-00	D - 11	5SL-25388-00	E - 4	3GM-25925-00	E - 3	31A-28217-00	D - 5	1AE-82151-00	F - 9	4SV-84347-00	F - 5
4TX-23173-00	D - 11	5SL-25389-00	E - 4	5SL-25926-00	E - 6	4S8-28315-00	E - 13	5JJ-82151-20	F - 9	4SV-84350-00	F - 5
4TX-2331G-00	D - 11	5MT-25398-00	E - 2	5VX-26111-10	E - 7	4S8-28315-10	E - 13	5JJ-82151-30	F - 9	4S8-84359-00	F - 5
5VX-23340-00	D - 12		E - 4	4YR-26240-02	E - 7	4S8-28315-20	E - 13	5VX-82310-00	F - 8	4S8-84359-10	F - 5

NUMERICAL INDEX

PART NO.	GRID NO.	PART NO.	GRID NO.	PART NO.	GRID NO.	PART NO.	GRID NO.	PART NO.	GRID NO.	PART NO.	GRID NO.
5LV-84397-00	F - 5	90105-06147	C - 4	90119-06038	B - 8	90201-08034	C - 2	90387-06014	E - 11	90450-22017	B - 9
5VX-84710-00	F - 6	90105-06557	B - 8	90119-06044	E - 12	90201-08083	E - 12	90387-06068	D - 13	90450-32001	B - 7
137-84714-60	F - 6		D - 2	90119-06062	D - 13	90201-082U5	C - 2	90387-06073	B - 12		B - 9
5VX-84735-00	F - 6		F - 8	90119-06096	D - 8	90201-08753	F - 8	90387-06075	D - 6	90450-32003	B - 8
4HC-84744-00	F - 6	90105-07004	B - 6	90119-06117	D - 8	90201-08784	C - 14	90387-06078	D - 3	90450-35001	B - 7
5VX-84745-01	F - 6	90105-08021	C - 2	90119-08081	E - 14	90201-087K3	C - 4	90387-0614M	B - 8		B - 8
3Y6-85130-02	D - 6	90105-08063	C - 2	90119-10003	B - 2	90201-10020	D - 2	90387-061N6	C - 2	90450-38040	B - 7
5VX-85720-01	F - 8	90105-081A4	E - 11	90149-06019	E - 15	90201-10021	E - 4	90387-061W6	D - 13	90450-53002	B - 12
8CC-85790-01	F - 8	90105-08386	F - 8	90149-06082	C - 4	90201-10119	C - 9	90387-06372	C - 15	90450-63003	B - 12
5FL-85885-02	B - 13	90105-086A9	C - 4	90149-06250	E - 15	90201-101J1	D - 9		D - 8	90464-06005	F - 3
5CA-85886-00	B - 12	90105-087A0	C - 4	90149-06308	D - 15	90201-12008	E - 15		E - 14	90464-07012	B - 9
4S8-8591A-00	F - 10	90105-10032	D - 2	90149-08003	E - 15	90201-12013	C - 14	90387-064J1	D - 5	90464-12089	F - 9
2D1-8592A-00	C - 2	90105-10088	E - 9	90149-10006	D - 2	90201-12021	E - 9		D - 7	90464-12238	B - 9
5VX-88158-00	D - 5	90105-10090	E - 9	90149-10012	D - 2	90201-12790	F - 8		D - 8	90464-13077	F - 9
5VS-W0041-00	E - 8	90105-10323	D - 9	90150-05023	E - 13	90201-14215	E - 12	90387-065J6	D - 5	90464-13249	F - 9
5VX-W0042-50	E - 12	90105-10638	E - 3	90151-06008	C - 11	90201-15013	C - 10	90387-066H4	B - 8	90464-14001	D - 3
5VN-W0045-00	E - 3	90105-10N53	D - 2	90151-06018	D - 3	90201-154E8	C - 14	90387-082W9	C - 2	90464-14002	D - 5
5VX-W0046-00	E - 6	90105-126A8	E - 15	90154-06061	D - 5	90201-177G4	C - 14	90387-09003	D - 5	90464-14058	F - 9
5SL-W0047-00	E - 6	90109-06031	B - 10	90157-05079	E - 9	90201-18020	D - 8	90387-1012B	D - 9	90464-15157	D - 3
3GM-W0047-10	E - 3		D - 5	90157-05134	E - 11	90201-20023	C - 12	90387-127V3	C - 14	90464-15192	F - 9
3MA-W0047-10	E - 3	90109-06055	F - 10	90159-06002	C - 9	90201-20278	C - 12	90387-22002	E - 2	90464-16001	F - 9
1J3-W0048-00	E - 3	90109-06060	D - 2	90164-05014	F - 4	90201-22070	D - 10	90387-2202V	C - 12	90464-16005	D - 13
1UY-W0048-00	E - 6	90109-06168	C - 4		F - 5	90201-25020	E - 4	90387-25010	C - 9	90464-16006	E - 14
4SV-W0057-00	E - 3	90109-064G6	E - 3	90170-06228	C - 14	90201-255A6	C - 9	90387-2504A	C - 11		F - 9
5SL-W0057-00	E - 6	90109-066F0	B - 2	90170-08010	E - 12	90202-06170	E - 14	90387-2513E	C - 11	90464-16061	D - 15
4SV-W0057-10	E - 3	90109-067F4	D - 3	90170-20008	C - 9	90202-08205	F - 10	90387-253M6	C - 11	90464-18002	D - 5
2TV-W2470-00	D - 15	90109-08045	E - 6	90176-05001	E - 10	90202-24190	D - 10	90387-28001	E - 4		E - 8
5VS-W2587-00	E - 8	90109-080G5	F - 10	90176-22081	D - 10	90202-26142	D - 10	90387-2813C	C - 11	90464-18029	D - 6
4S8-W8250-00	F - 10	90109-08174	E - 10	90179-05523	E - 13	90206-12074	C - 14	90387-2813D	C - 11	90464-20003	E - 13
5VX-Y2171-J0	D - 7	90109-10011	E - 9	90179-06403	D - 5	90209-08295	E - 10	90401-10020	E - 8	90464-20181	D - 3
5VX-Y2171-K0	D - 7	90109-10654	D - 9	90179-08410	C - 2	90209-21332	C - 11		E - 12	90464-23041	B - 14
5VX-Y2171-L0	D - 7	90110-05014	D - 13	90179-20011	C - 12	90209-21351	C - 11	90401-10038	E - 8	90464-24230	F - 10
5VX-Y2172-K0	D - 7	90110-05112	D - 13	90179-25033	D - 10	90209-22352	C - 11	90401-20145	B - 11	90464-54086	E - 13
5VX-Y2172-L0	D - 7	90110-05201	E - 14	90183-05061	D - 5	90209-25342	C - 11	90430-06014	B - 7	90465-08045	C - 6
5VX-Y2172-M0	D - 7	90110-06018	C - 13		F - 6	90209-25349	C - 11	90430-08119	B - 2	90465-10030	B - 11
5VX-Y2410-30-X3	D - 13	90110-06022	C - 6	90183-05076	E - 13	90209-25350	C - 11	90430-08143	C - 6	90465-10042	C - 6
5VX-Y2410-30-X4	D - 13	90110-06079	D - 13	90183-06053	D - 2	90215-20004	C - 9	90430-09002	B - 13	90465-13152	D - 6
5VX-Y2410-30-X5	D - 13	90110-06086	B - 7		E - 14	90240-08124	E - 12	90430-10005	E - 8	90465-14011	C - 6
4S8-Y283G-00-P0	E - 13	90110-06161	B - 10	90183-060A1	D - 2	90269-06010	F - 8		E - 12	90467-08075	B - 9
4S8-Y283G-10-P1	E - 13		C - 4	90185-10002	D - 2	90269-08001	D - 8	90430-10148	F - 8	90467-10008	D - 14
4S8-Y283G-20-P2	E - 13	90110-06169	B - 11	90185-10009	E - 4	90269-08066	D - 3	90430-10171	D - 11	90467-10041	B - 12
4S8-Y283G-30-P0	E - 13	90110-06200	E - 14	90185-10037	E - 9	90338-06018	D - 15	90445-08025	B - 9	90467-11090	B - 9
4S8-Y283G-40-P1	E - 13	90110-08220	E - 10	90185-18167	D - 8	90338-08174	B - 12	90445-081F2	B - 9		B - 14
4S8-Y283G-50-P2	E - 13	90110-10010	E - 9	90185-24007	E - 4	90338-21145	D - 2	90445-10032	D - 14	90467-120A3	E - 12
90101-08013	E - 5	90110-10N52	D - 11	90201-047A2	F - 10	90340-14132	B - 11	90445-10033	D - 14	90467-14015	B - 12
90105-06027	B - 2	90111-06019	C - 15	90201-05725	D - 6	90340-20090	B - 2	90445-11795	B - 12	90467-15054	B - 12
90105-06053	B - 7	90111-06031	B - 8	90201-06055	D - 3	90340-32004	C - 6	90445-170K9	E - 9	90467-17003	B - 15
90105-060A6	B - 9	90116-10485	E - 4	90201-06071	F - 6	90383-14001	E - 10	90450-22017	B - 7	90467-17089	B - 12

NUMERICAL INDEX

PART NO.	GRID NO.	PART NO.	GRID NO.	PART NO.	GRID NO.	PART NO.	GRID NO.	PART NO.	GRID NO.	PART NO.	GRID NO.
90467-17089	B - 15	91380-06012	F - 8	93210-46001	B - 7	95607-05100	C - 15	97707-50016	F - 5		
90467-17128	B - 15	91401-20012	E - 12	93306-00106	B - 7		D - 6	97707-50025	B - 12		
90467-200A0	B - 9	91401-25015	E - 9	93306-00304	C - 9		E - 10	97707-60016	F - 6		
90480-01558	D - 7	91701-08040	E - 9	93306-00420	E - 2	95607-05200	F - 8	98502-04012	E - 8		
90480-10332	C - 2	91808-17032	B - 10	93306-20464	C - 11	95607-06100	F - 7	98507-04010	F - 7		
90480-11005	F - 9	92014-05012	C - 15	93306-20531	E - 4	95607-10100	D - 9	98507-05010	B - 13		
90480-12006	C - 2		E - 10	93306-30525	C - 11	95607-10200	D - 2	98507-05016	B - 13		
90480-12072	D - 5	92014-05014	E - 10	93306-30546	C - 11		D - 9	98507-05020	F - 7		
90480-12237	D - 3	92014-06020	E - 12	93310-340N8	C - 9	95617-06100	E - 8	98507-05030	F - 7		
90480-12314	B - 12	92014-08014	C - 6	93315-31502	C - 9	95617-08625	B - 2	98507-05045	F - 7		
90480-13163	D - 4	92014-08020	E - 12	93315-31758	D - 9	95707-06500	D - 15	98507-06008	E - 10		
90480-13398	D - 5	92014-08045	C - 2	93315-42523	D - 8		E - 14	98507-06012	B - 13		
90480-14229	E - 14	92017-05025	F - 8	93317-11096	C - 9		F - 9		C - 6		
90480-15005	D - 13	92017-06012	D - 6	93317-11295	C - 15	95707-10500	E - 9	98704-03020	F - 7		
90480-15363	B - 8	92017-06014	D - 7	93317-43580	E - 4	95807-06010	E - 8	98902-06020	C - 3		
90480-18276	F - 6	92017-06016	D - 6	93399-99931	D - 10		F - 10	98907-05008	D - 13		
90501-064L1	C - 13	92017-06020	D - 3	93399-99932	D - 12	95807-06012	D - 10	98907-05012	D - 5		
90501-15001	E - 11	92902-04100	E - 8	93420-61M07	E - 4	95807-06016	D - 4	98907-05014	F - 6		
90501-225A9	C - 9	92902-04600	E - 8	93440-10153	B - 2	95807-06020	F - 9	98907-06012	D - 6		
90506-14003	C - 14	92904-05600	B - 8	93440-25186	C - 11	95807-06025	D - 2	99001-07600	C - 9		
90506-20223	E - 12	92907-05100	B - 13	93440-28062	C - 11	95812-06045	C - 4	99009-10400	C - 9		
90506-23007	E - 9	92907-05600	B - 13	93450-17129	B - 3	95812-06055	C - 4	99009-12400	B - 7		
90506-26008	E - 9	92907-06100	B - 8	93501-04011	E - 11	95812-06065	C - 4	99009-17400	C - 14		
90506-50001	E - 9	92907-06600	B - 8	93607-44190	B - 6	95812-06100	C - 4	99530-08012	C - 6		
90508-18016	C - 10		D - 8	93608-17263	C - 6	95812-08014	C - 2	99530-10014	C - 4		
90508-20572	E - 9		D - 10	93900-00030	E - 2	95812-08035	C - 2	99530-10114	B - 2		
90508-295B2	C - 14	92907-08600	C - 9		E - 4	95812-08065	C - 4				
90560-06201	D - 4	92990-05200	C - 15	94112-17066	E - 2	95814-08045	C - 2				
91312-06016	F - 8		E - 10	94112-17067	E - 2	95824-06012	B - 9				
91312-06025	B - 11	93101-12173	B - 7	94118-17041	E - 4	95824-06020	C - 14				
91312-10025	D - 12	93102-12106	C - 15	94118-17053	E - 4	95824-06030	B - 8				
91314-06020	C - 6	93102-15212	C - 9	94580-25080	B - 10	95827-06010	D - 3				
91314-06025	B - 6	93102-35423	C - 12	94582-11118	E - 4	95827-06016	D - 6				
	C - 4	93106-28043	E - 2	94591-49120	B - 6	95827-06090	D - 13				
	C - 6	93106-40013	E - 4	94701-00403	B - 2	95827-08012	D - 6				
91314-06030	C - 6	93109-17071	D - 9	95022-06016	F - 8	95827-08025	D - 4				
91314-06040	E - 11	93210-04092	C - 4	95024-06020	B - 7		D - 5				
91314-06060	B - 2	93210-06667	B - 10	95024-08035	D - 10	97004-05012	B - 8				
91314-08030	D - 10	93210-09165	B - 10	95024-10020	B - 9	97007-06016	D - 10				
91314-08045	D - 12		C - 5	95027-06008	F - 9	97007-06025	D - 8				
91314-10050	D - 2	93210-14003	B - 10	95027-06012	D - 3	97307-06012	B - 8				
91317-04025	F - 10	93210-14579	C - 4	95027-06020	F - 7	97607-05255	F - 7				
91317-05010	D - 13	93210-15566	B - 11	95027-06040	F - 2	97706-04012	F - 3				
91317-06016	F - 8	93210-16325	C - 4	95027-08012	B - 2		F - 6				
91317-06020	B - 2	93210-27194	C - 6	95302-08600	E - 5	97707-40012	D - 6				
	B - 12	93210-32172	C - 6	95304-06700	C - 14	97707-50012	D - 5				
91317-08030	C - 2	93210-33133	B - 7	95602-06200	D - 15	97707-50016	E - 13				
91380-05010	F - 5	93210-34504	D - 11	95604-06200	E - 11		F - 3				